

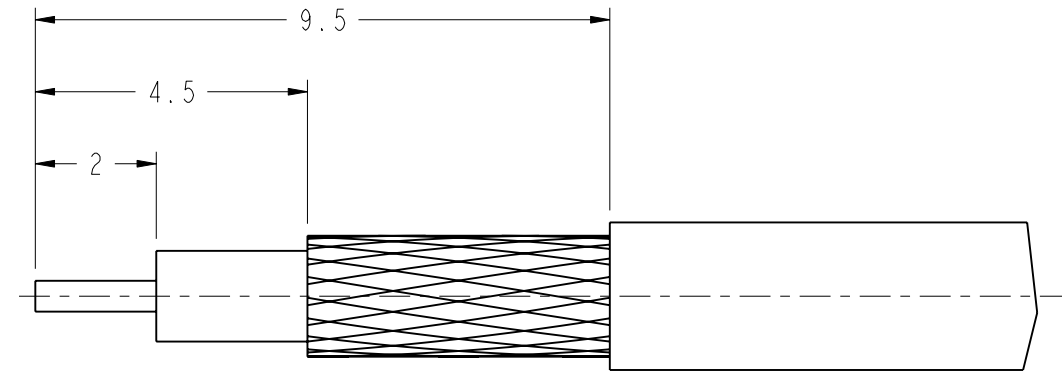
NOTES:

1. MATERIAL AND FINISH:
 - HOUSING - BRASS, NICKEL PLATING
 - BODY - BERYLLIUM COPPER, GOLD PLATING
 - CONTACT PIN - BRASS, GOLD PLATING
 - FERRULE - COPPER, NICKEL PLATING
 - INSULATORS - PTFE, NATURAL
2. ELECTRICAL:
 - A. IMPEDANCE: 50 OHM
 - B. FREQUENCY RANGE: 0-6 GHz
 - C. DIELECTRIC WITHSTANDING VOLTAGE: 1000 VRMS. MIN.
3. MECHANICAL:
 - A. DURABILITY: 500 CYCLES MIN.
 - B. TEMPERATURE RANGE: -40°C TO +85°C
4. CRIMPED FERRULE
 - HEX CRIMP SIZE .128"
5. CRIMPED CONTACT PIN SQ. CRIMP SIZE 0.7(mm)

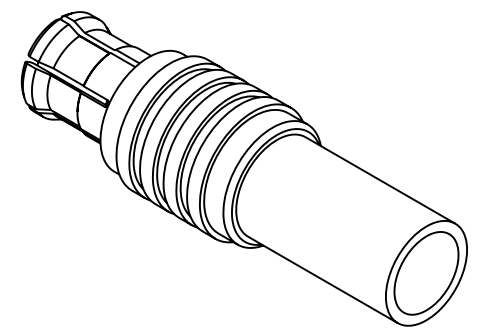
THIRD ANGLE PROJ.

REVISIONS

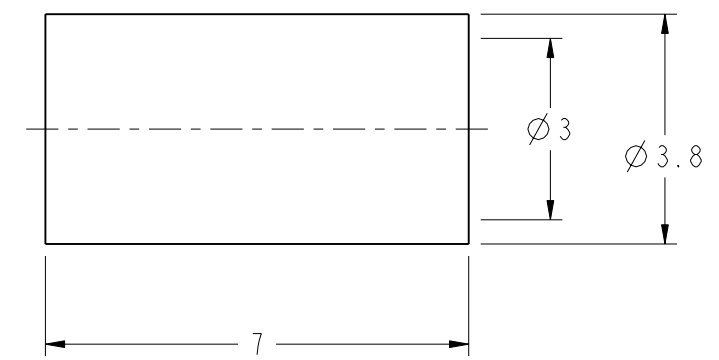
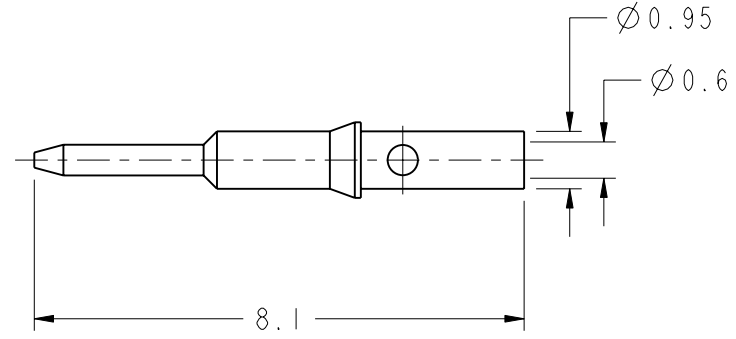
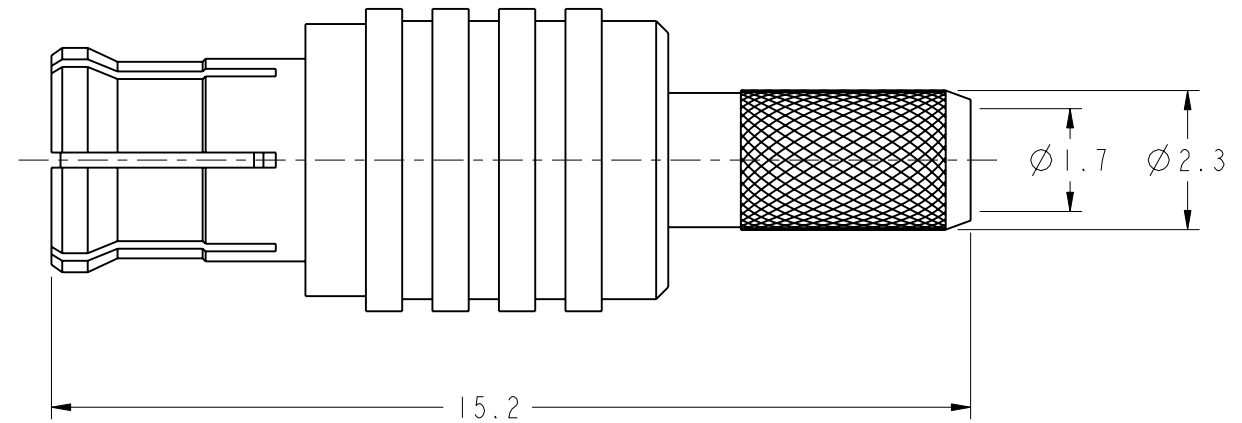
REV	DESCRIPTION	DATE	ECO	APPR
A	RELEASE TO MFG	14-Jul-16	01326	RM



RECOMMENDED
CABLE STRIPPING DIM'S



SCALE 4.000



CUSTOMER OUTLINE DRAWING

ALL OTHER SHEETS ARE FOR INTERNAL USE ONLY

<p>UNLESS OTHERWISE SPECIFIED, DIMENSIONS ARE IN METRIC AND TOLERANCES ARE: <0.5mm ±0.05mm 0.5 - 6mm ±0.1mm 6 - 30mm ±0.2mm 30 - 120mm ±0.3mm ANGLES ±1°</p> <p>NOTICE - These drawings, specifications, or other data (1) are, and remain the property of Amphenol corp. (2) must be returned upon request; and (3) are confidential and not to be disclosed to any person other than those to whom they are given by Amphenol Corp. the finishing of these drawings, specifications, or other data by Amphenol Corp., or to any other person to anyone for any purpose is not to be regarded by implication or otherwise in any manner licensing, granting rights to permitting such holder or any other person to manufacture, use or sell any product, process or design, patented or otherwise, that may in any way be related to or disclosed by said drawings, specifications, or other data.</p>	MATERIAL	DRAWN R. MAO	DATE 14-Jul-16	TITLE MCX CRIMP PLUG (FOR RG-174/U, 188A/U, 316/U CABLE)	Amphenol RF Danbury CT USA, Tainan, Taiwan, Shenzhen, China www.amphenolrf.com	
	REFERENCE	ENGINEER RICKSON	DATE 13-Dec-14			SCALE: 8.0:1.0 SHEET 2 OF 2
	FINISH	APPROVED S. HSIEH	DATE 14-Jul-16	DWG SIZE B		REV A
					DRAWING NO. 919-386P-51S ITEM NO. 919-386P-51S PART NO. 919-386P-51S	

Mouser Electronics

Authorized Distributor

Click to View Pricing, Inventory, Delivery & Lifecycle Information:

[Amphenol:](#)

[919-386P-51S](#)