

NOTES:

1. MATERIALS & FINISHES:

BODY - BRASS, GOLD PLATING (.000030 MIN.)
 CONTACT - BRASS, GOLD PLATING (.000030 MIN.)
 INSULATOR - LCP, NATURAL

2. ELECTRICAL:

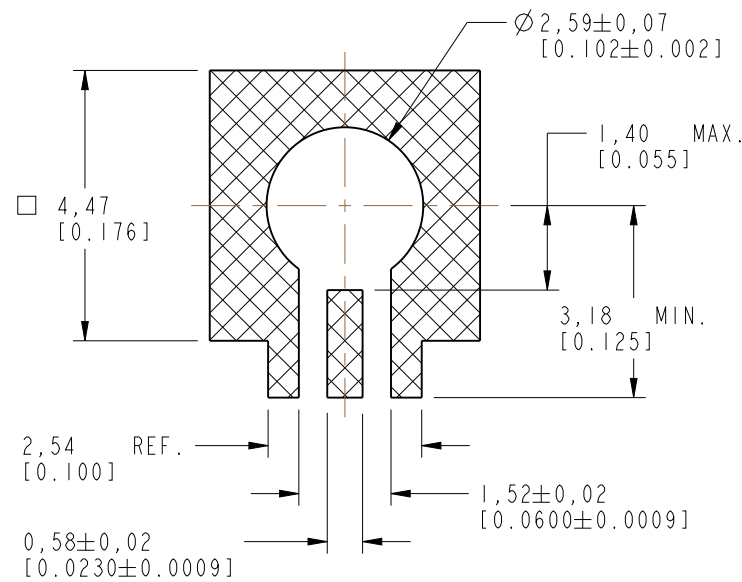
A. IMPEDANCE : 50 OHM
 B. FREQUENCY RANGE : DC - 10 GHz
 C. CONNECTOR ONLY VSWR: 1.15:1 MAX AT DC - 10 GHz
 D. DIELECTRIC WITHSTANDING VOLTAGE : 500 VRMS, MIN.
 E. INSULATION RESISTANCE : 1,000 MEGOHMS MIN.

3. MECHANICAL:

A. DURABILITY: 100 CYCLES MIN.
 B. TEMPERATURE RANGE: -65°C TO +165°C

4. PACKAGING:

A. QUANTITY: 50 PCS/TRAY
 B. MARKING: TRAY TO BE MARKED:
 "AMPHENOL RF, 925-143J-51P, AND DATE CODE"



**RECOMMENDED
PCB LAYOUT**

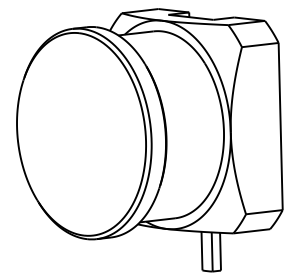
DESIGNED FOR USE WITH 0.25 MM [0.010]"
THICK ROGERS 4350 PCB MATERIAL

THESE DIMENSIONS MAY VARY
DEPENDING ON PCB MATERIAL USED

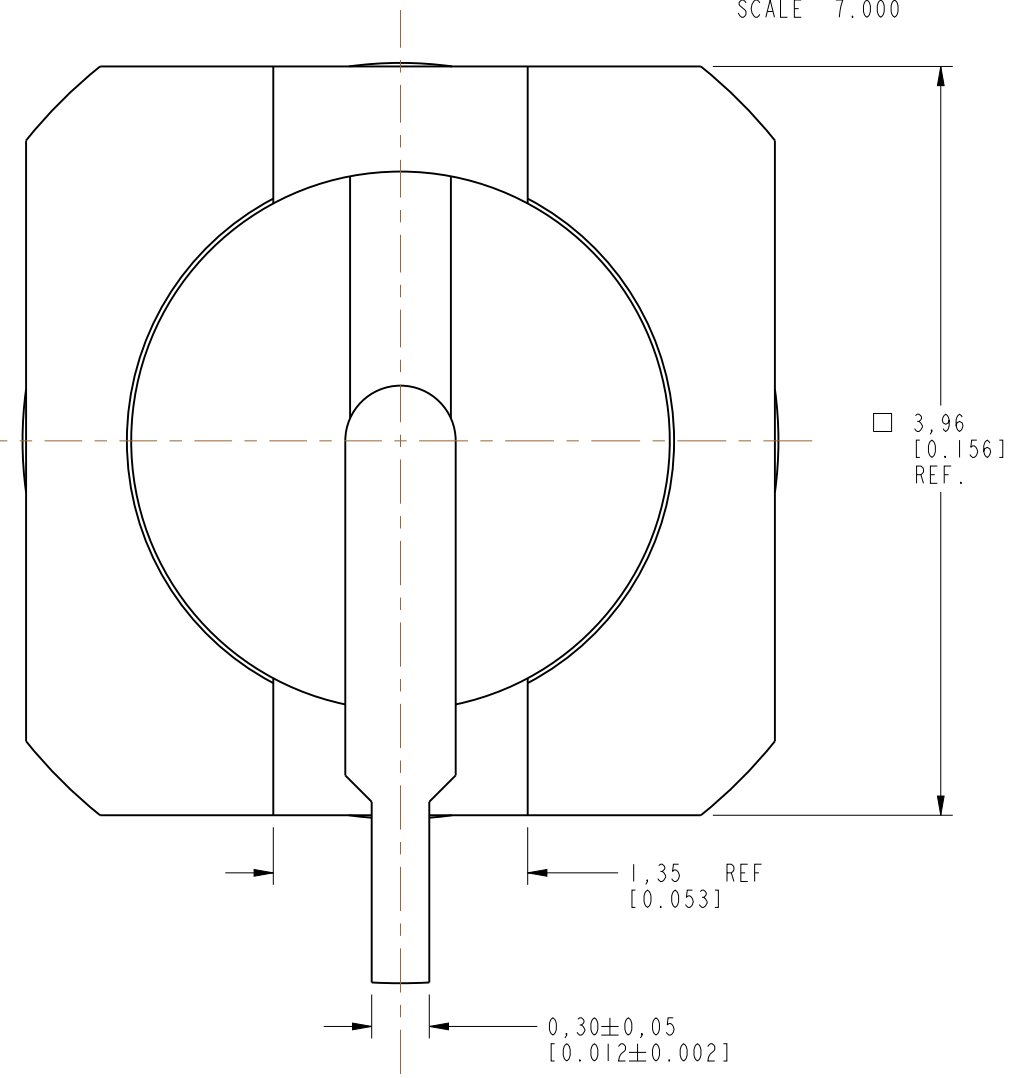
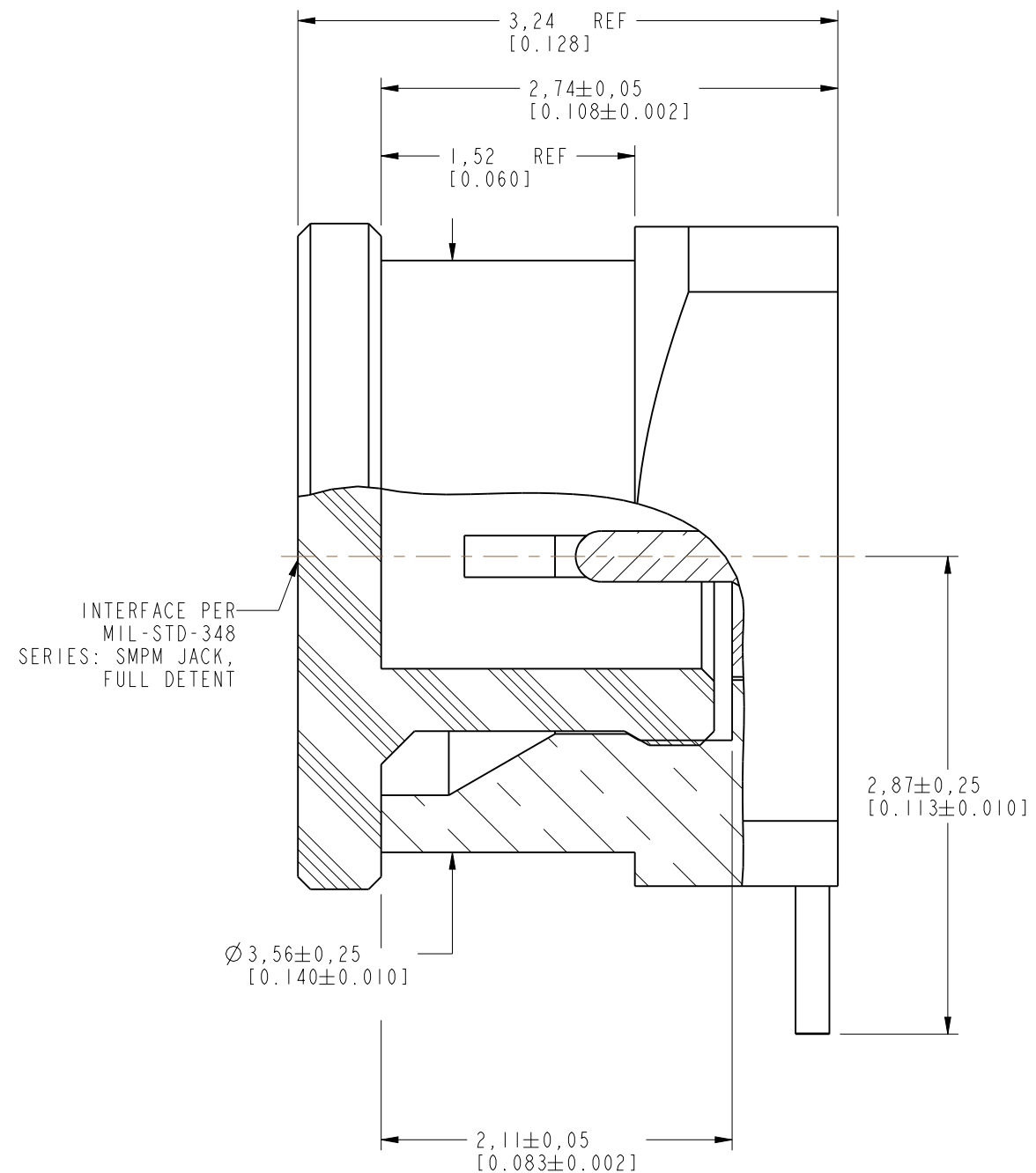
THIRD ANGLE PROJ.

REVISIONS

REV	DESCRIPTION	DATE	ECN	APPR
A	RELEASE TO MFG.	05-JAN-17	02703	MZ
B	FREQUENCY UPDATED	28-Nov-18	09761	EH



SCALE 7.000



CUSTOMER OUTLINE DRAWING

ALL OTHER SHEETS ARE FOR INTERNAL USE ONLY

UNLESS OTHERWISE SPECIFIED, DIMENSIONS ARE IN METRIC AND TOLERANCES ARE: <0.5mm ± 0.05mm 0.5 - 6mm ± 0.1mm 6 - 30mm ± 0.2mm 30 - 120mm ± 0.3mm ANGLES ±1°	MATERIAL	DRAWN	DATE	TITLE	Amphenol RF www.amphenolrf.com
	SEE NOTES	M. ZHANG	05-JAN-17	SMPM STR JACK, FULL DETENT, SURFACE MOUNT	
NOTICE - These drawings, specifications, or other data (1) are, and remain the property of Amphenol corp. (2) must be returned upon request; and (3) are confidential and not to be disclosed to any person other than those to whom they are given by Amphenol Corp. the furnishing of these drawings, specifications, or other data by Amphenol Corp., or to any other person to anyone for any purpose is not to be regarded by implication or otherwise in any manner licensing, granting rights to permitting such holder or any other person to manufacture, use or sell any product, process or design, patented or otherwise, that may in any way be related to or disclosed by said drawings, specifications, or other data.	REFERENCE	ENGINEER	DATE	SCALE: 25.0:1.0 SHEET 2 OF 2	DRAWING NO. 925-143J-51P
	EAR# 5317	E WANKOFF	20-FEB-13		ITEM NO. 925-143J-51P
	REF:	APPROVED	DATE	DWG SIZE B REV B	PART NO. 925-143J-51P
	CONFIGURATION LEVEL: In Work	K. CAPOZZI	28-Nov-18		
FINISH	CAD FILE				