

NOTES:

1. MATERIALS & FINISHES:

BODY - BRASS - GOLD PLATING (0.000030 MIN.)  
 CONTACT - BRASS - GOLD PLATING (0.000030 MIN.)  
 INSULATOR - LCP, NATURAL

2. ELECTRICAL:

A. IMPEDANCE : 50 OHM  
 B. FREQUENCY RANGE : DC - 10 GHz  
 C. CONNECTOR ONLY VSWR: 1.15:1 MAX AT DC - 10 GHz  
 D. DIELECTRIC WITHSTANDING VOLTAGE : 500 VRMS MIN.  
 E. INSULATION RESISTANCE : 1,000 MEGOHMS MIN.

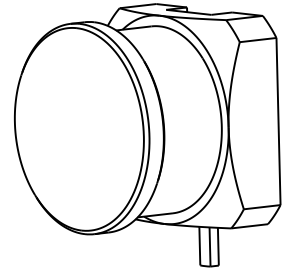
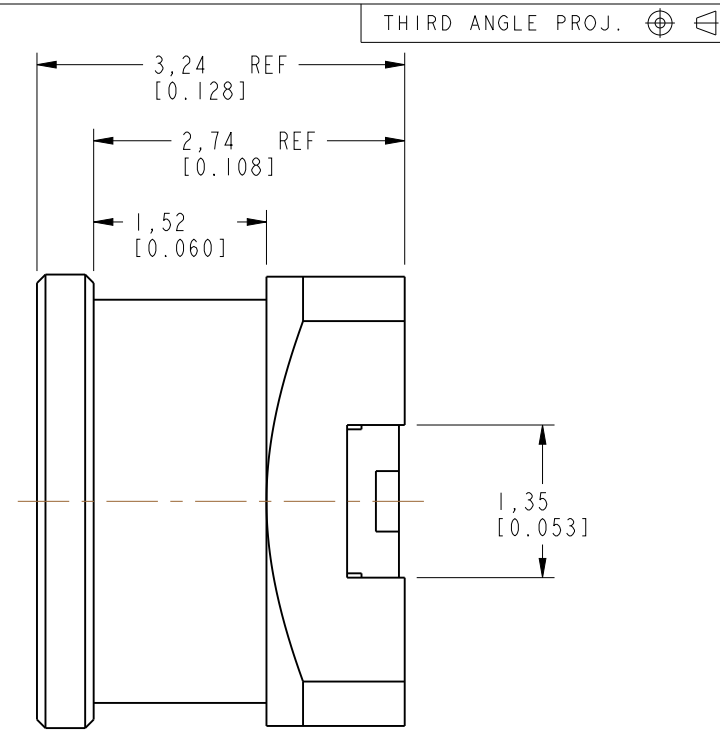
3. MECHANICAL:

A. DURABILITY : 100 MATING CYCLES MIN.  
 B. TEMPERATURE RANGE : -65°C TO +165°C

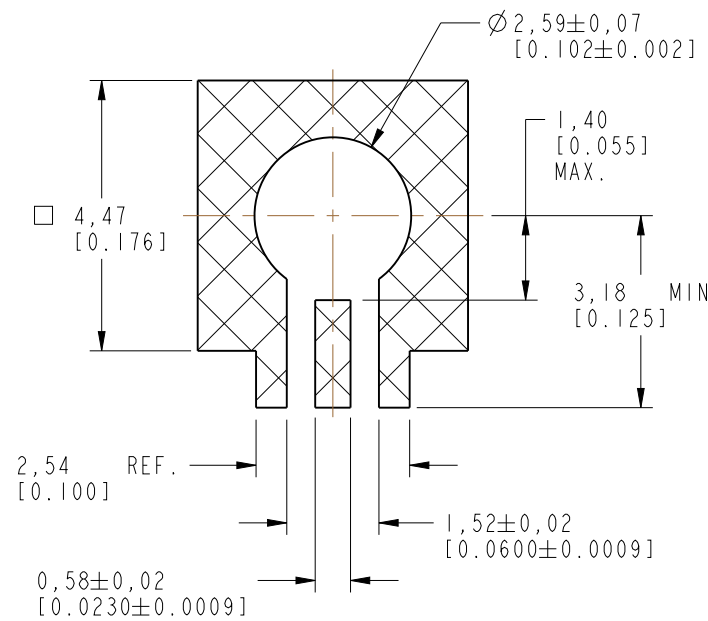
4. PACKAGING:

A. QUANTITY: 50 PCS/TRAY  
 B. MARKING: TRAY TO BE MARKED:  
 "AMPHENOL RF, 925-144J-51P AND DATE CODE"

REVISIONS				
REV	DESCRIPTION	DATE	ECN	APPR
A	RELEASE TO MFG.	04-JUL-16	00941	RM
B	NOTE 4A WAS TAPE AND REEL VRD-DMI701240IR3	11-FEB-17	02466	RM
C	UPDATED FREQUENCY	28-Nov-18	09761	EH



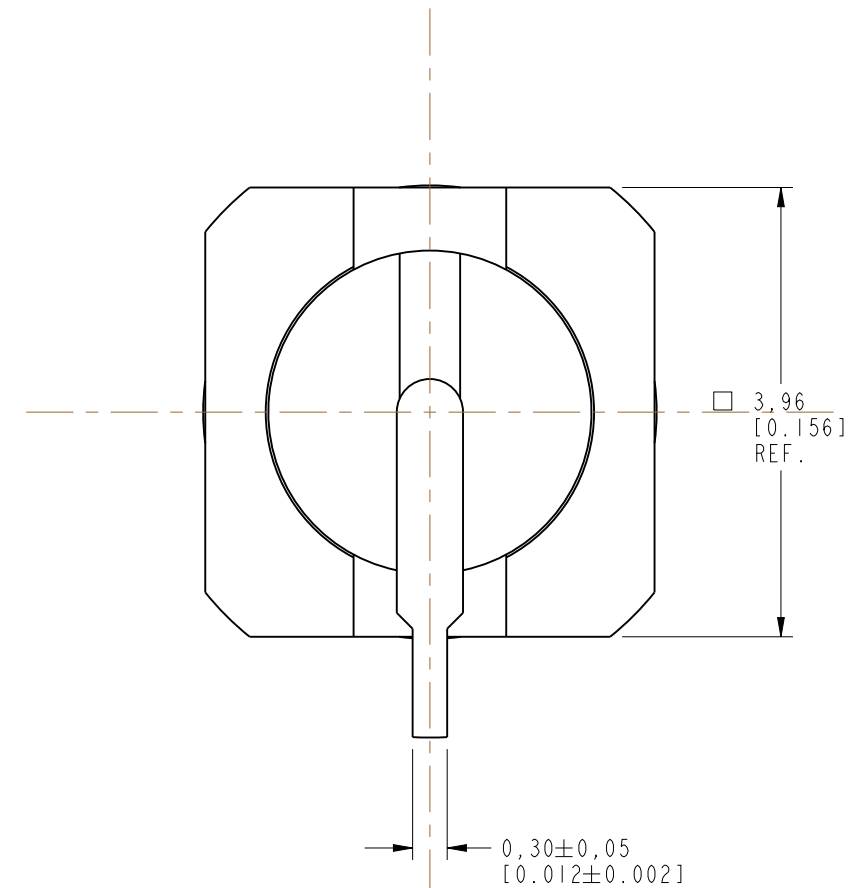
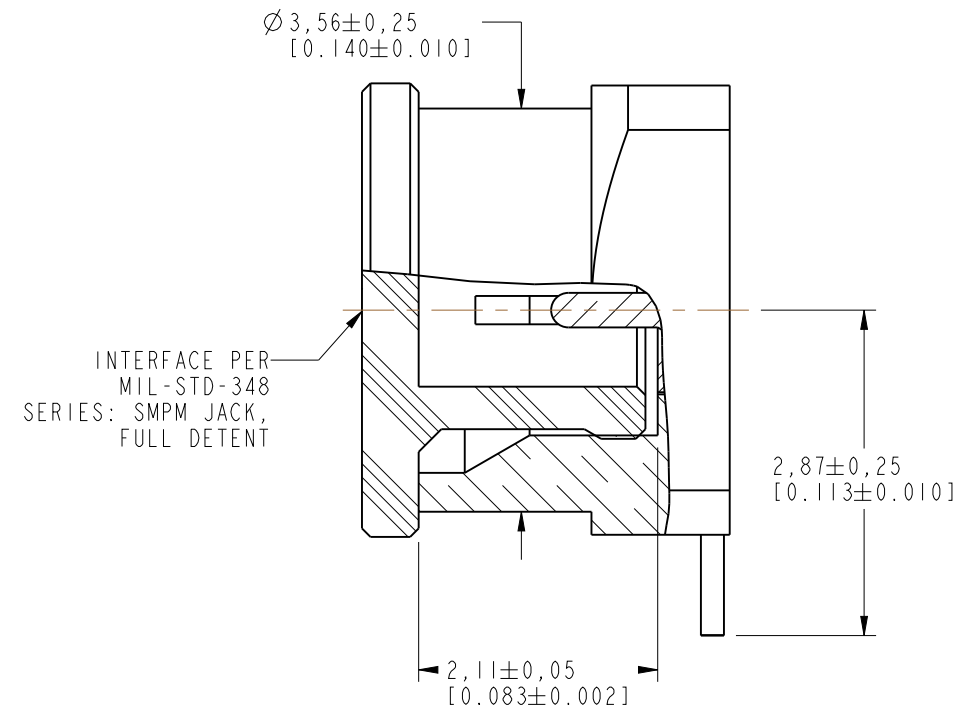
SCALE 7.000



**RECOMMENDED  
PCB LAYOUT**

DESIGNED FOR USE WITH 0.25 [0.010]  
THICK ROGERS 4350 PCB MATERIAL

THESE DIMENSIONS MAY VARY  
DEPENDING ON PCB MATERIAL USED



**CUSTOMER OUTLINE DRAWING**

ALL OTHER SHEETS ARE FOR INTERNAL USE ONLY

UNLESS OTHERWISE SPECIFIED, DIMENSIONS ARE IN METRIC AND TOLERANCES ARE:  
 <0.5mm ±0.05mm    0.5 - 6mm ±0.1mm    6 - 30mm ±0.2mm    30 - 120mm ±0.3mm    ANGLES ±1°

NOTICE - These drawings, specifications, or other data (1) are, and remain the property of Amphenol corp. (2) must be returned upon request; and (3) are confidential and not to be disclosed to any person other than those to whom they are given by Amphenol Corp. the furnishing of these drawings, specifications, or other data by Amphenol Corp., or to any other person to anyone for any purpose is not to be regarded by implication or otherwise in any manner licensing, granting rights to permitting such holder or any other person to manufacture, use or sell any product, process or design, patented or otherwise, that may in any way be related to or disclosed by said drawings, specifications, or other data.

MATERIAL SEE NOTES	DRAWN J. NERI	DATE 09-NOV-16
REFERENCE EAR# 5317	ENGINEER E WANKOFF	DATE 20-FEB-13
REF:	APPROVED K. CAPOZZI	DATE 28-Nov-18
CONFIGURATION LEVEL: In Work	CAD FILE	
FINISH		

TITLE SMPM MALE, SURFACE MOUNT, SMOOTH BORE
SCALE: 15.0:1.0 SHEET 2 OF 2
DWG SIZE B
REV C

Amphenol RF
www.amphenolrf.com
DRAWING NO. 925-144J-51P
ITEM NO. 925-144J-51P
PART NO. 925-144J-51P