

Distributed by:

JAMECO[®]
ELECTRONICS

www.Jameco.com ♦ 1-800-831-4242

The content and copyrights of the attached
material are the property of its owner.

Jameco Part Number 2036357

NOTES:

1. ELECTRICAL:

- A. IMPEDENCE: 50Ω, NOMINAL
- B. FREQUENCY RANGE: 0-6GHz (VSWR 1.3 MAX.)
- C. OPERATING VOLTAGE: 500 VRMS
- D. CONTACT RESISTANCE: CENTER CONTACT= 20 mΩ MAX.
OUTER CONTACT= 10mΩ MAX.
- E. DIELECTRIC WITHSTANDING VOLTAGE: 300VAC FOR 1 MINUTE,
CURRENT LEAKAGE 2mA MAX.
- F. INSULATION RESISTANCE: 500 MEGOHMS MIN.

2. PHYSICAL:

- A. TEMPERATURE RANGE: -40°C TO +90°C
- B. AMC INTERFACE IS FULLY COMPATIBLE WITH "U.FL" SERIES PRODUCT.
- C. SUITABLE FOR SOLDER REFLOW PROCESS.

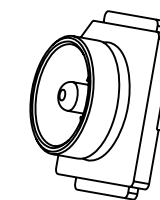
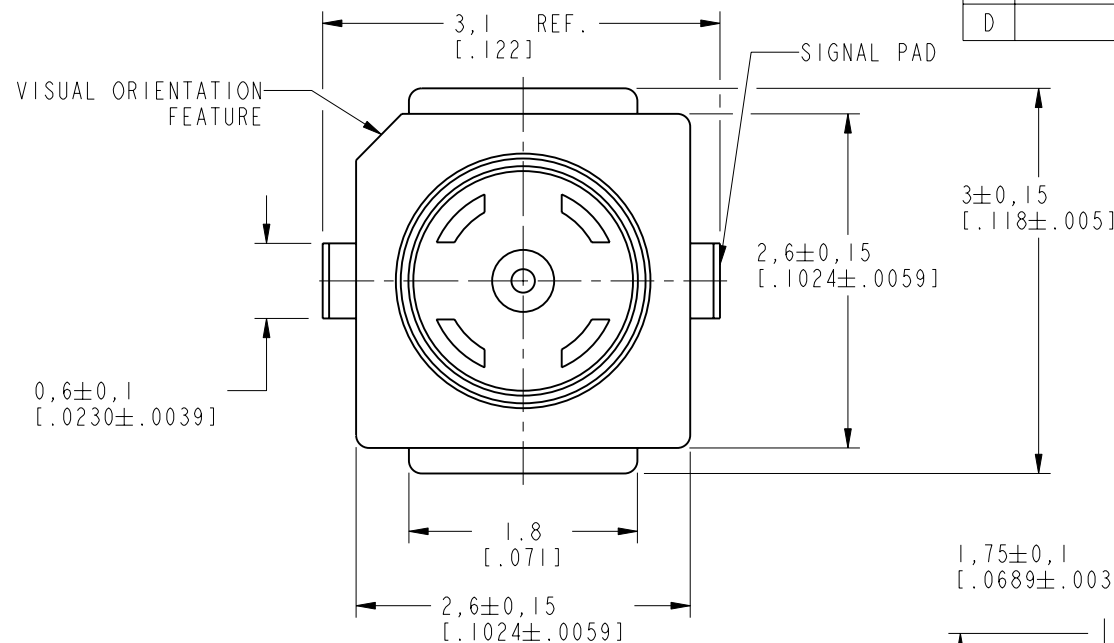
3. MATERIALS AND FINISHES:

- HOUSING: LCP (UL94V-0)
- CENTER CONTACT: BRASS, GOLD PLATE
- GROUND CONTACT: PHOSPHOR BRONZE, SILVER PLATE

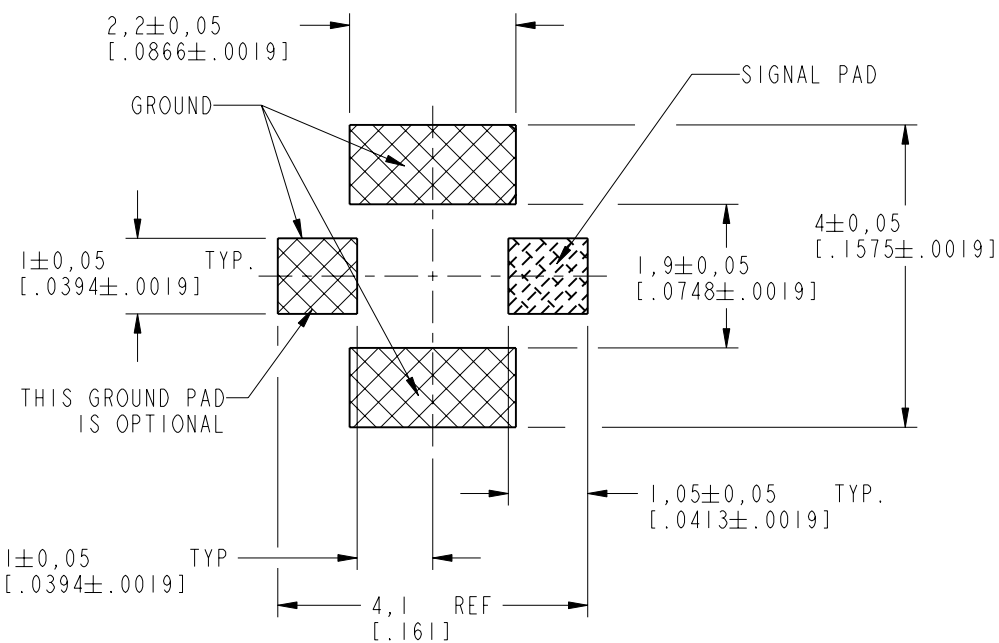
4. PACKAGING:

- TAPE AND REEL PACKAGING.
- QTY : 2500 PCS.

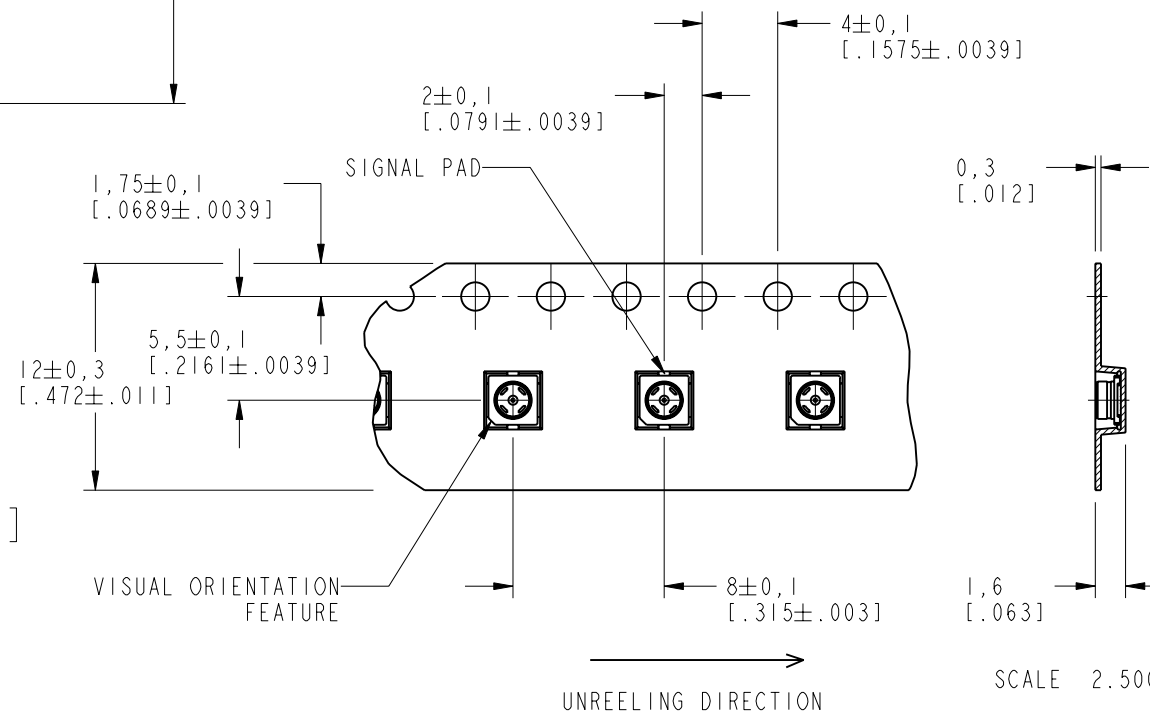
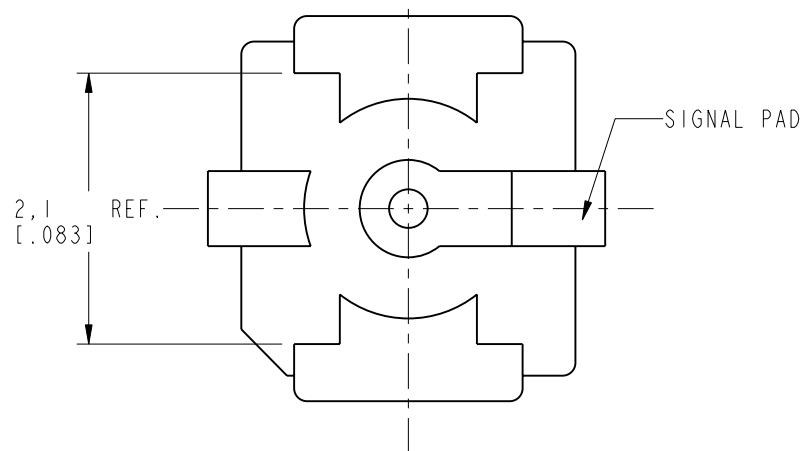
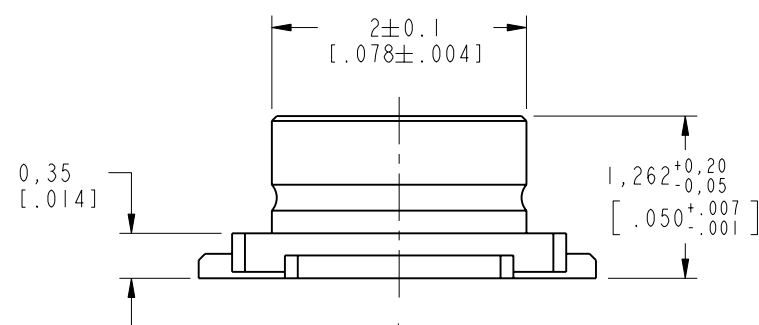
A-1JB		REVISIONS			
DRAWING NO.	REV	DESCRIPTION	DATE	ECO	APPR
THIRD ANGLE PROJ.	A	RELEASE TO MFG.	5/7/04	44924	HP
	B	ADDED PCB PATTERN DIMENSIONS	6/10/04	45008	HP
	C	1.250 +0.2/ -.05 WAS 1.250, 300VAC WAS 200VAC	12/15/04	45327	GSA
	D	PACKAGING NOTES UPDATED	10/7/08	47297	AAP



SCALE 8.000



RECOMMENDED PCB PATTERN



EMBOSSED CARRIER TAPE DIMENSIONS

SCALE 2.500

CUSTOMER OUTLINE DRAWING
ALL OTHER SHEETS ARE FOR INTERNAL USE ONLY

UNLESS OTHERWISE SPECIFIED, DIMENSIONS ARE IN MM (INCHES) AND TOLERANCES ARE:
0.5 - 6mm ±0.2mm 6 - 30mm ±0.4mm 30 - 120mm ±0.6mm

NOTICE - These drawings, specifications, or other data (1) are, and remain the property of Amphenol Corp. (2) must be returned upon request; and (3) are confidential and not to be disclosed to any person other than those to whom they are given by Amphenol Corp. The furnishing of these drawings, specifications, or other data by Amphenol Corp., or to any other person to anyone for any purpose is not to be regarded by implication or otherwise in any manner licensing, granting rights or permitting such holder or any other person to manufacture, use or sell any product, process or design, patented or otherwise, that may in any way be related to or disclosed by said drawings, specifications, or other data.

MATERIAL

REFERENCE

EAR# 966

DRAWN

G. ANTONINI

ENGINEER

G. ANTONINI

APPROVED

O. BARTHELMES

CAD FILE

I:\AMC\A-1JB

DATE

15-Apr-04

DATE

15-Apr-04

DATE

5/7/04

TITLE

AMC PCB JACK
SURFACE MOUNT
TAPE & REEL

CODE ID

74868

DWG SIZE

B

DRAWING NO.

A-1JB

Amphenol

Amphenol Corporation
Communication and Network
Products Division
Danbury, CT U.S.A. 06810

SCALE: 17.0:1 SHEET 1 OF 1

REV

D