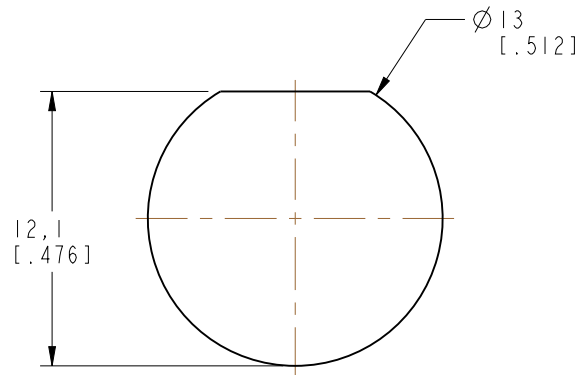


NOTES:

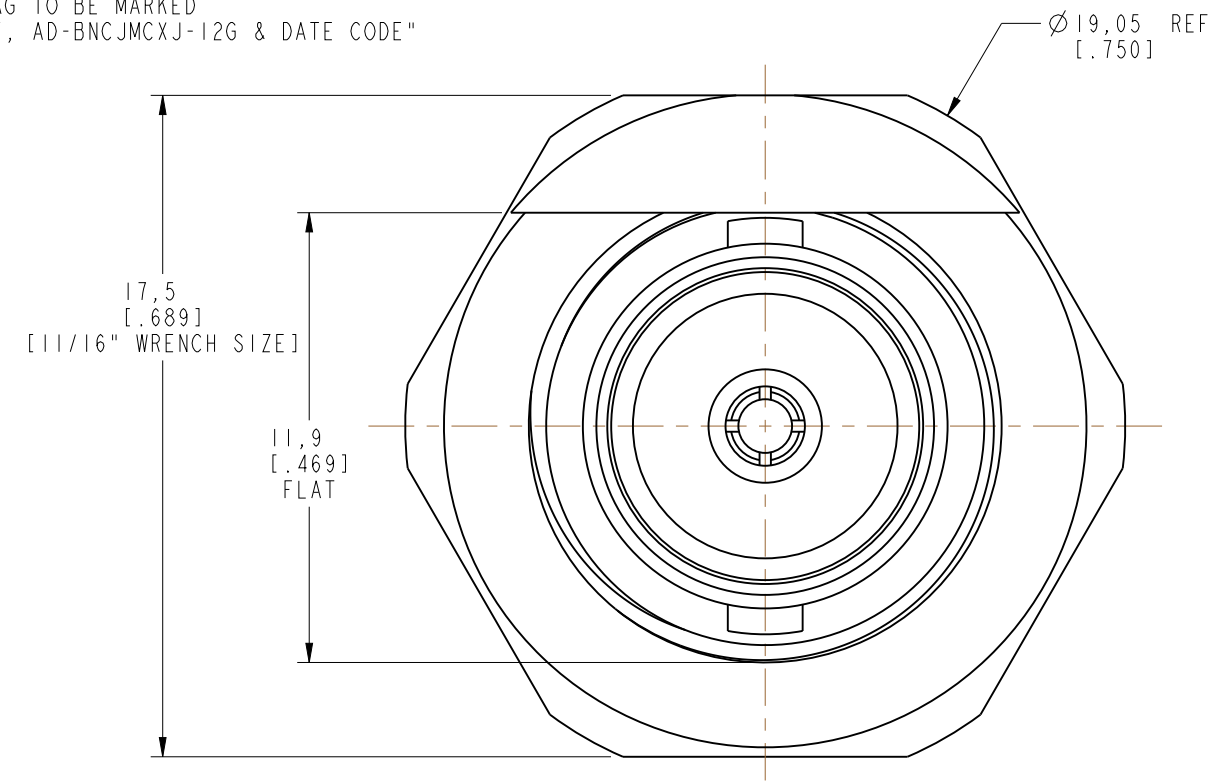
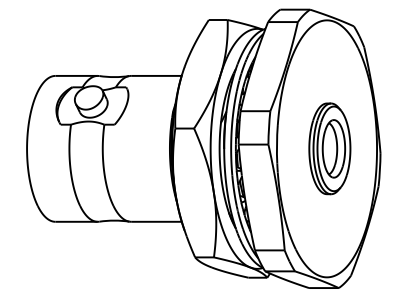
1. MATERIALS AND FINISHES:  
 BODY - BRASS, NICKEL PLATED  
 CONTACT - BeCu, GOLD PLATED  
 INSULATOR - PTFE  
 HEX NUT - BRASS, NICKEL PLATED  
 LOCK WASHER - STAINLESS STEEL, PASSIVATED
2. ELECTRICAL:  
 A. IMPEDANCE: 75 OHM  
 B. FREQUENCY RANGE: DC - 12 GHz  
 C. RETURN LOSS: -25 dB MIN @ DC - 6 GHz  
                   -20 dB MIN @ 6 - 12 GHz  
 D. DIELECTRIC WITHSTANDING VOLTAGE: 1500 VRMS MIN.
3. MECHANICAL:  
 A. DURABILITY: 500 CYCLES MIN.  
 B. TEMPERATURE RANGE: -65 C TO 165 C
4. PACKAGING:  
 A. QUANTITY: SINGLE PACK  
 B. MARKING: BAG TO BE MARKED  
    "AMPHENOL RF, AD-BNCJMCXJ-12G & DATE CODE"

THIRD ANGLE PROJ.

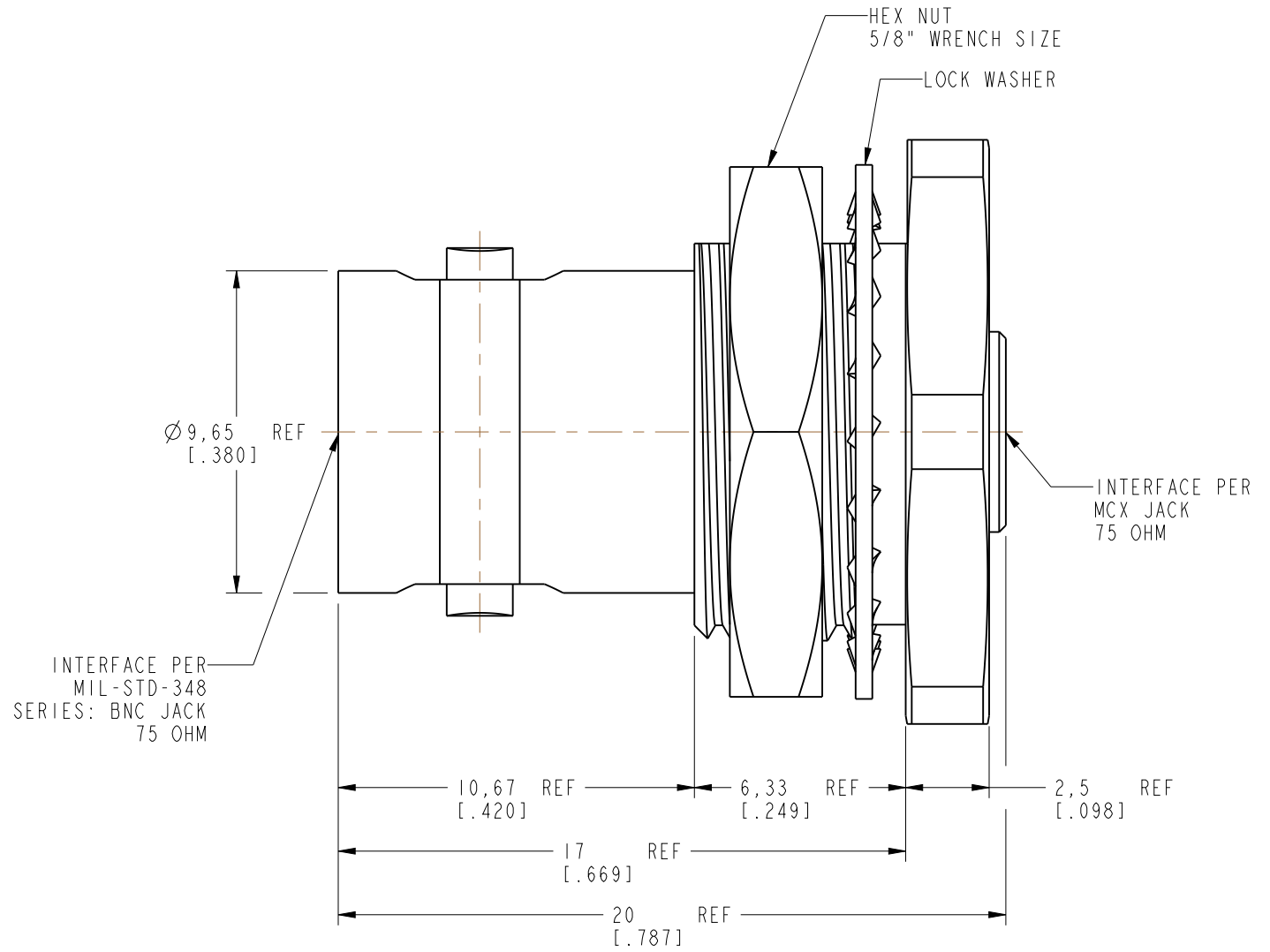
		REVISIONS		
REV	DESCRIPTION	DATE	ECN	APPR
A	RELEASE TO MFG.	25-Nov-19	13901	SV



**RECOMMENDED PCB  
 PANEL CUTOUT**



**LOCK WASHER & HEX NUT  
 NOT SHOWN FOR CLARITY**



**CUSTOMER OUTLINE DRAWING**

ALL OTHER SHEETS ARE FOR INTERNAL USE ONLY

UNLESS OTHERWISE SPECIFIED, DIMENSIONS ARE IN METRIC AND TOLERANCES ARE: <0.5mm ±0.05mm    0.5 - 6mm ±0.1mm    6 - 30mm ±0.2mm    30 - 120mm ±0.3mm    ANGLES ±1°	MATERIAL SEE NOTES	DRAWN S.VO	DATE 25-Sep-19	TITLE BNC BULKHEAD JACK TO MCX JACK ADAPTER	Amphenol RF www.amphenolrf.com
	REFERENCE EAR# 9410 REF: 31-70516	ENGINEER S.VO	DATE 25-Sep-19		
NOTICE - These drawings, specifications, or other data (1) are, and remain the property of Amphenol corp. (2) must be returned upon request; and (3) are confidential and not to be disclosed to any person other than those to whom they are given by Amphenol Corp. the furnishing of these drawings, specifications, or other data by Amphenol Corp., or to any other person to anyone for any purpose is not to be regarded by implication or otherwise in any manner licensing, granting rights to permitting such holder or any other person to manufacture, use or sell any product, process or design, patented or otherwise, that may in any way be related to or disclosed by said drawings, specifications, or other data.	CONFIGURATION LEVEL: In Work	APPROVED --	DATE --	SCALE: 5.0:1.0	SHEET 2 OF 2
	FINISH	CAD FILE	DWG SIZE B	REV A	ITEM NO. AD-BNCJMCXJ-12G