

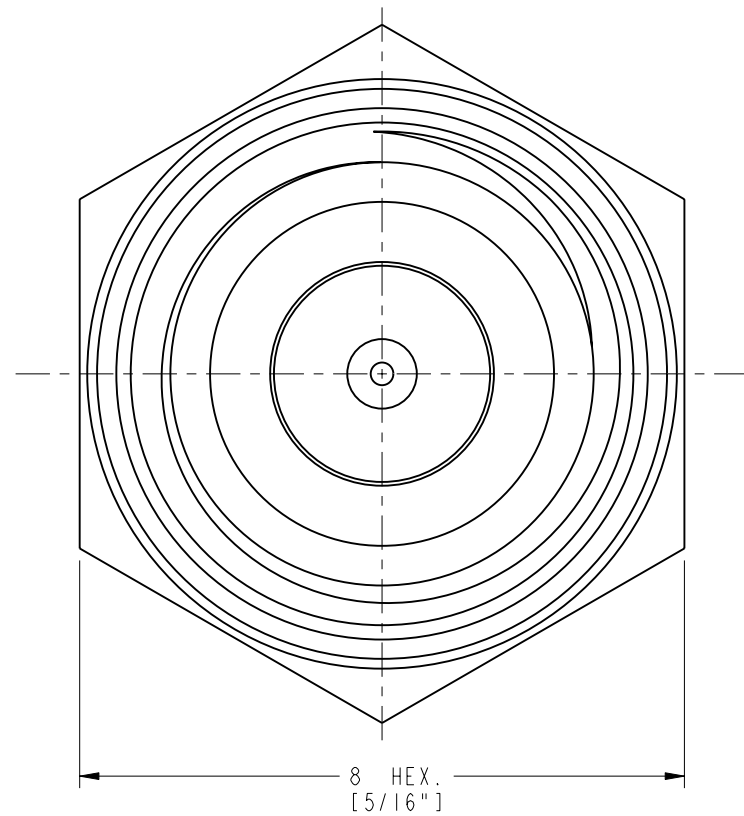
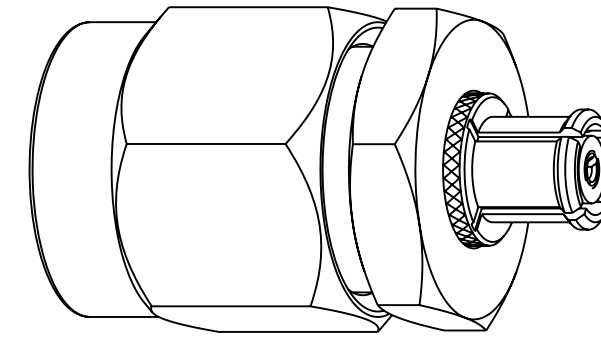
NOTES:

1. MATERIALS AND FINISHES:
 BODIES - BRASS & BeCu, GOLD PLATING
 CONTACT - BeCu, GOLD PLATING
 RETAINER RING - SUS 304, NATURAL
 GASKET - SILICONE RUBBER, RED
 INSULATOR - PTFE, NATURAL
2. ELECTRICAL:
 A. IMPEDANCE: 50 OHM
 B. FREQUENCY RANGE: DC - 26.5 GHz
 C. VSWR(RETURN LOSS): 35 dB MIN @ DC - 4 GHz
 26 dB MIN @ 4 - 10 GHz
 23 dB MIN @ 10 - 20 GHz
 D. DIELECTRIC WITHSTANDING VOLTAGE: 500 VRMS, MIN.
3. MECHANICAL:
 A. DURABILITY:
 SMA SIDE: 500 CYCLES MIN.
 SMP SIDE: 100 CYCLES MIN.
 B. TEMPERATURE RANGE: -65° C TO +165° C
4. PACKAGING:
 A. QUANTITY: SINGLE PACK
 B. MARKING: PACKAGING TO BE MARKED
 "AMPHENOL RF, AD-SMAPSMPP-1 & DATE CODE"

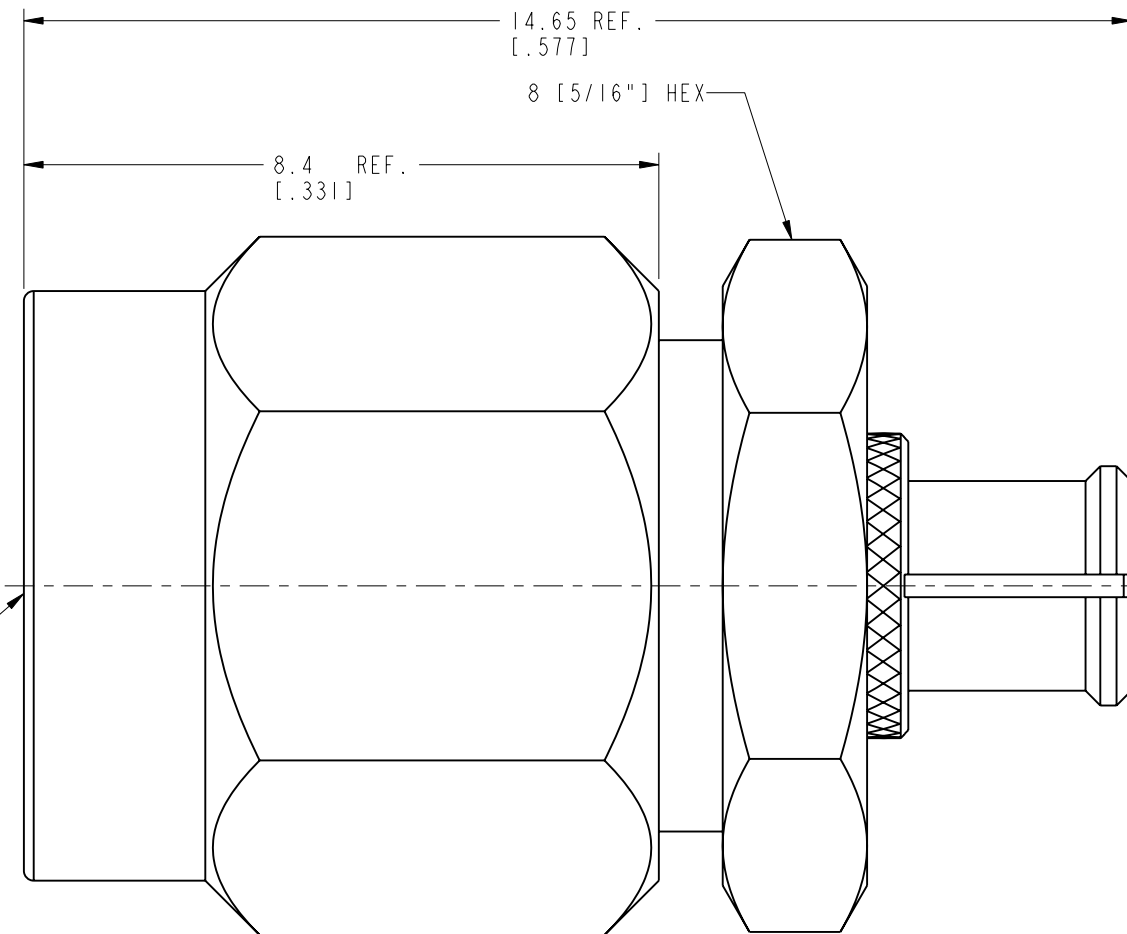
THIRD ANGLE PROJ.

REVISIONS

REV	DESCRIPTION	DATE	ECN	APPR
A	RELEASE TO MFG.	12-Oct-19	13221	SV



INTERFACE PER MIL-STD-348 SERIES: SMA PLUG



INTERFACE PER MIL-STD-348 SERIES: SMP

CUSTOMER OUTLINE DRAWING

ALL OTHER SHEETS ARE FOR INTERNAL USE ONLY

UNLESS OTHERWISE SPECIFIED, DIMENSIONS ARE IN METRIC AND TOLERANCES ARE: <0.5mm ±0.05mm 0.5 - 6mm ±0.1mm 6 - 30mm ±0.2mm 30 - 120mm ±0.3mm ANGLES ±1°	MATERIAL SEE NOTES	DRAWN M. ZHANG	DATE 12-Oct-19	TITLE SMA (M) PLUG TO SMP (F) PLUG ADAPTER	Amphenol RF www.amphenolrf.com
	REFERENCE EAR# 8825 REF: ---	ENGINEER S. VO	DATE 13-Feb-19		
NOTICE - These drawings, specifications, or other data (1) are, and remain the property of Amphenol corp. (2) must be returned upon request; and (3) are confidential and not to be disclosed to any person other than those to whom they are given by Amphenol Corp. the furnishing of these drawings, specifications, or other data by Amphenol Corp., or to any other person to anyone for any purpose is not to be regarded by implication or otherwise in any manner licensing, granting rights to permitting such holder or any other person to manufacture, use or sell any product, process or design, patented or otherwise, that may in any way be related to or disclosed by said drawings, specifications, or other data.	CONFIGURATION LEVEL: In Work	APPROVED S. HSIEH	DATE 18-Oct-19	SCALE: 10.0:1.0 SHEET 2 OF 2 DWG SIZE B REV A	
	FINISH	CAD FILE			