

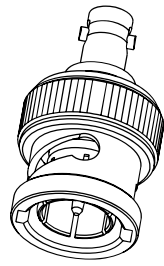
THIRD ANGLE PROJ.		REVOLUTIONS	
REV	DESCRIPTION	DATE	ECO APPR
A	RELEASE TO MFG.	8/3/10	48170 CL

1. MATERIALS AND FINISHES:
 BODY & COUPLING NUT - BRASS, NICKEL PLATING
 CONTACT - BERYLLIUM COPPER, GOLD PLATING
 INSULATOR - PIPE
 GASKET - RUBBER

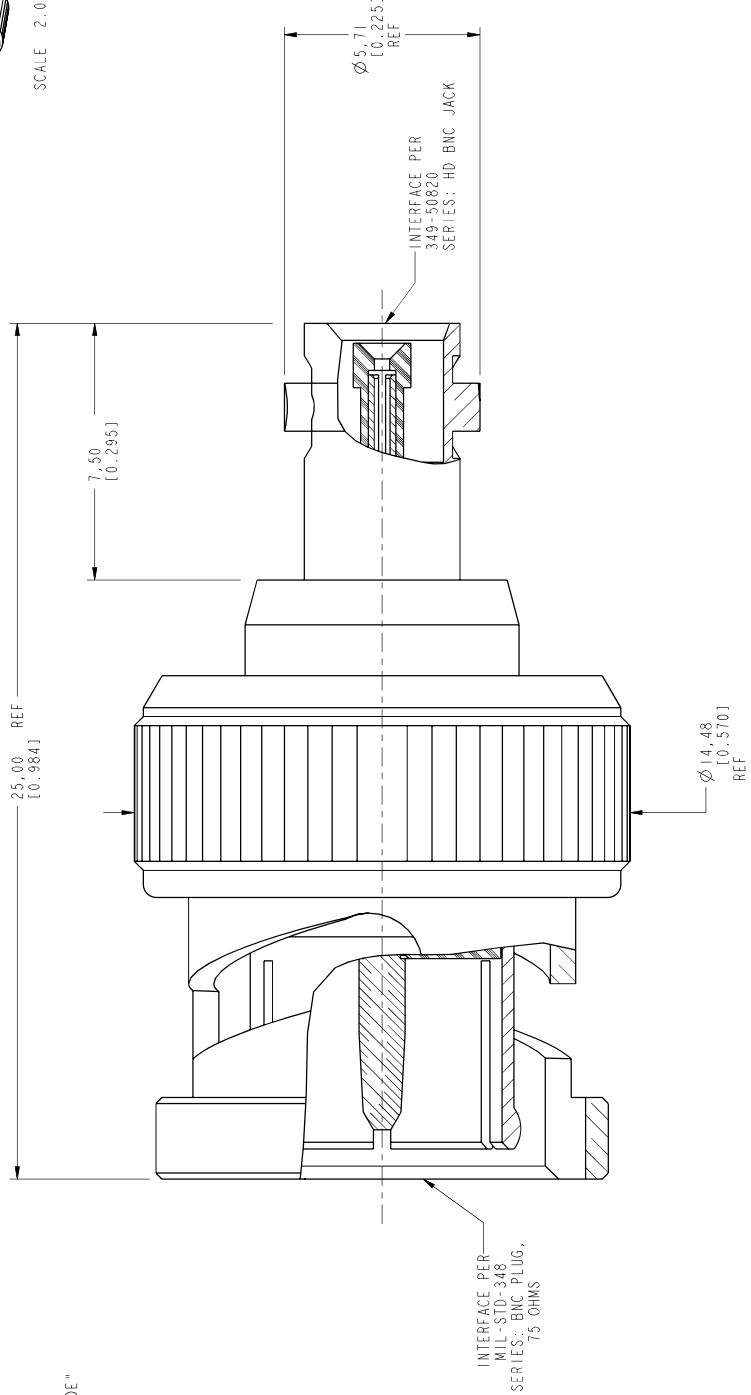
2. ELECTRICAL:
 A. IMPEDANCE: 75 OHM
 B. FREQUENCY RANGE: DC - 4 GHz
 C. RETURN LOSS: 28 dB MIN.

3. MECHANICAL:
 A. DURABILITY: 500 CYCLES MIN.
 B. TEMPERATURE RANGE: -65° C TO +165° C

4. PACKAGING:
 A. QUANTITY: SINGLE PACK
 B. MARKING: BAG TO BE MARKED
 "AMPHENORLF, APH-BNCP-HDBNCJ, AND DATE CODE"



SCALE 2.000



CUSTOMER OUTLINE DRAWING
 ALL OTHER SHEETS ARE FOR INTERNAL USE ONLY

UNLESS OTHERWISE SPECIFIED, DIMENSIONS ARE IN METRIC AND TOLERANCES ARE: $\pm 0.3mm$ 0.5 - 6mm $\pm 0.1mm$ 6 - 30mm $\pm 0.2mm$ 30 - 120mm ANGLES $\pm 1^\circ$		MATERIAL SEE NOTES		DRAWN S.LI		DATE 07-Jul-10		TITLE BNC PLUG TO HD-BNC JACK, 75 OHM ADAPTER		Amphenol RF Danbury CT USA, Taiwan, Taiwan, Shenzhen, China www.amphenolrf.com	
NOTICE - These drawings, specifications, or other data (1) are, and remain the property of Amphenol Corp. (2) must be returned upon request; and (3) are confidential and may not be disclosed to any person other than those to whom they are intended. Amphenol Corp. and its subsidiaries, agents, and licensors do not warrant other data by Amphenol Corp. or to any other person for any purpose is not to be regarded by implication or otherwise in any manner licensing, granting rights to permitting such holder or any other person to manufacture, use or sell any product, process or design, patented or otherwise, that may in any way be related to or disclosed by said drawings, specifications, or other data.		REFERENCE EAR #		APPROVED S.HS/IEH		DATE 18-Oct-10		SCALE: 4.0:1.0 SHEET 2 OF 2		DRAWING NO. APH-BNCP-HDBNCJ	
CONFIGURATION LEVEL: -####Z0HX1B16C4-		FINISH Root Folder /BNC/APH-BNCP-HDBNCJ		CAD FILE		DWG SIZE B		ITEM NO. APH-BNCP-HDBNCJ		PART NO. APH-BNCP-HDBNCJ	