

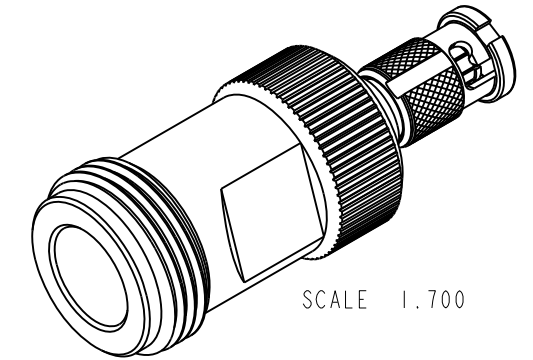
NOTES:

1. MATERIALS AND FINISHES:
  - BODY - STAINLESS STEEL, PASSIVATED
  - CONTACT - BeCu, GOLD PLATING
  - OUTER CONTACT - BeCu, GOLD PLATING
  - INSULATOR - PTFE
  - BAYONET - STAINLESS STEEL, PASSIVATED
2. ELECTRICAL:
  - A. IMPEDANCE: 75 OHM
  - B. FREQUENCY RANGE: DC - 4 GHz
  - C. RETURN LOSS: -30 dB MIN AT 3 GHz
3. MECHANICAL:
  - A. DURABILITY: 500 CYCLES MIN.
  - B. TEMPERATURE RANGE: -65° C TO +100° C
4. PACKAGING:
  - A. QUANTITY: SINGLE PACK
  - B. MARKING: BAG TO BE MARKED  
"AMPHENOLRF, APH-NJ-HDBNCP AND DATE CODE".

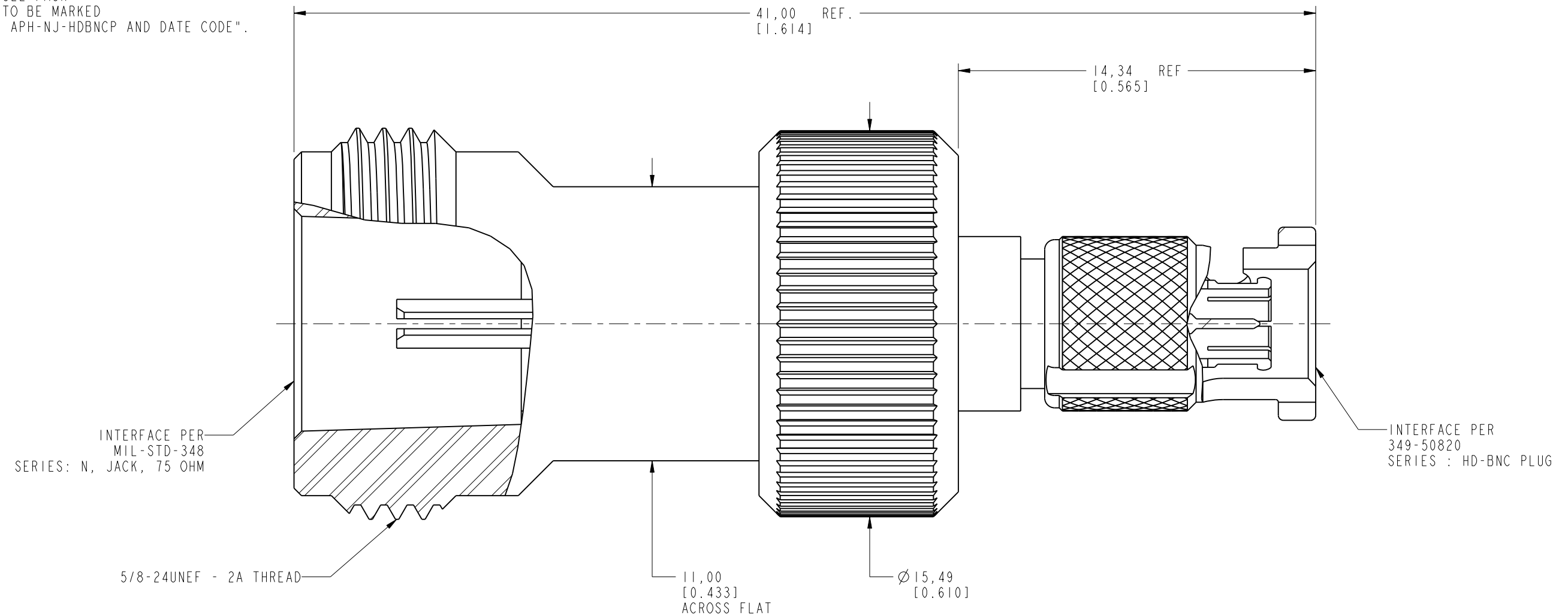
THIRD ANGLE PROJ.

REVISIONS

REV	DESCRIPTION	DATE	ECO	APPR
A	RELEASED TO MFG.	10/6/10	48270	NMV



SCALE 1.700



**CUSTOMER OUTLINE DRAWING**  
ALL OTHER SHEETS ARE FOR INTERNAL USE ONLY

UNLESS OTHERWISE SPECIFIED, DIMENSIONS ARE IN METRIC AND TOLERANCES ARE:  
 <0.5mm ± 0.05mm    0.5 - 6mm ± 0.1mm    6 - 30mm ± 0.2mm    30 - 120mm ± 0.3mm    ANGLES ± 1°

NOTICE - These drawings, specifications, or other data (1) are, and remain the property of Amphenol corp. (2) must be returned upon request; and (3) are confidential and not to be disclosed to any person other than those to whom they are given by Amphenol Corp. the furnishing of these drawings, specifications, or other data by Amphenol Corp., or to any other person to anyone for any purpose is not to be regarded by implication or otherwise in any manner licensing, granting rights to permitting such holder or any other sperson to manufacture, use or sell any product, process or design, patented or otherwise, that may in any way be related to or disclosed by said drawings, specifications, or other data.

MATERIAL SEE NOTES	DRAWN PADMANABHAN E	DATE 22-Jul-10	TITLE ADAPTOR, 75 OHM N JACK TO HD BNC PLUG		Amphenol RF Danbury CT USA, Tainan, Taiwan, Shenzhen, China www.amphenolrf.com	
REFERENCE EAR # 4100	ENGINEER PADMANABHAN E	DATE 22-Jul-10				
CONFIGURATION LEVEL: In Work	APPROVED K. CAPOZZI	DATE 9/22/10	SCALE: 5.5:1.0	SHEET 2 OF 2	DRAWING NO. APH-NJ-HDBNCP	
FINISH	Root Folder/HD-BNC/APH-NJ-HDBNCP	DWG SIZE B	REV A	PART NO. APH-NJ-HDBNCP		