

NOTES:

1. MATERIALS AND FINISHES:

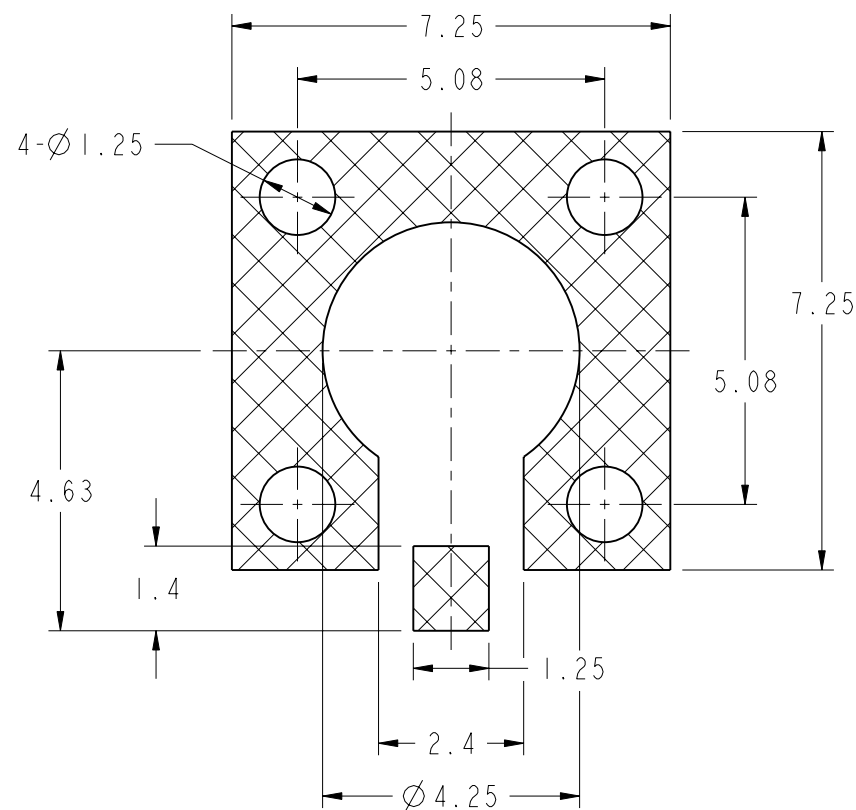
BODY - BRASS, GOLD PL. .000008"[0.2um] THICK OVER PHOSPHORUS CONTENT 9%~13% ELECTROLESS  
 NICKEL PL. .000100"[2.5um] MIN THICK OVER COPPER PL..000025"[0.64um] MIN. THICK  
 CONTACT- BRASS, GOLD PL. .000008"[0.2um] THICK OVER PHOSPHORUS CONTENT 9%~13% ELECTROLESS  
 NICKEL PL. .000100"[2.5um] MIN THICK OVER COPPER PL..000025"[0.64um] MIN. THICK.  
 INSULATOR - LCP

2. ELECTRICAL:

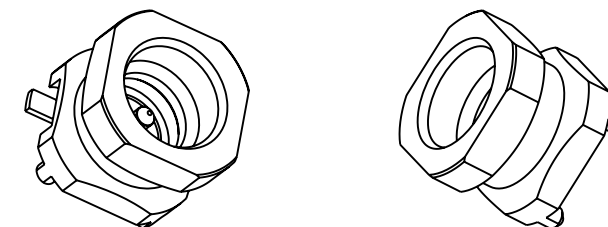
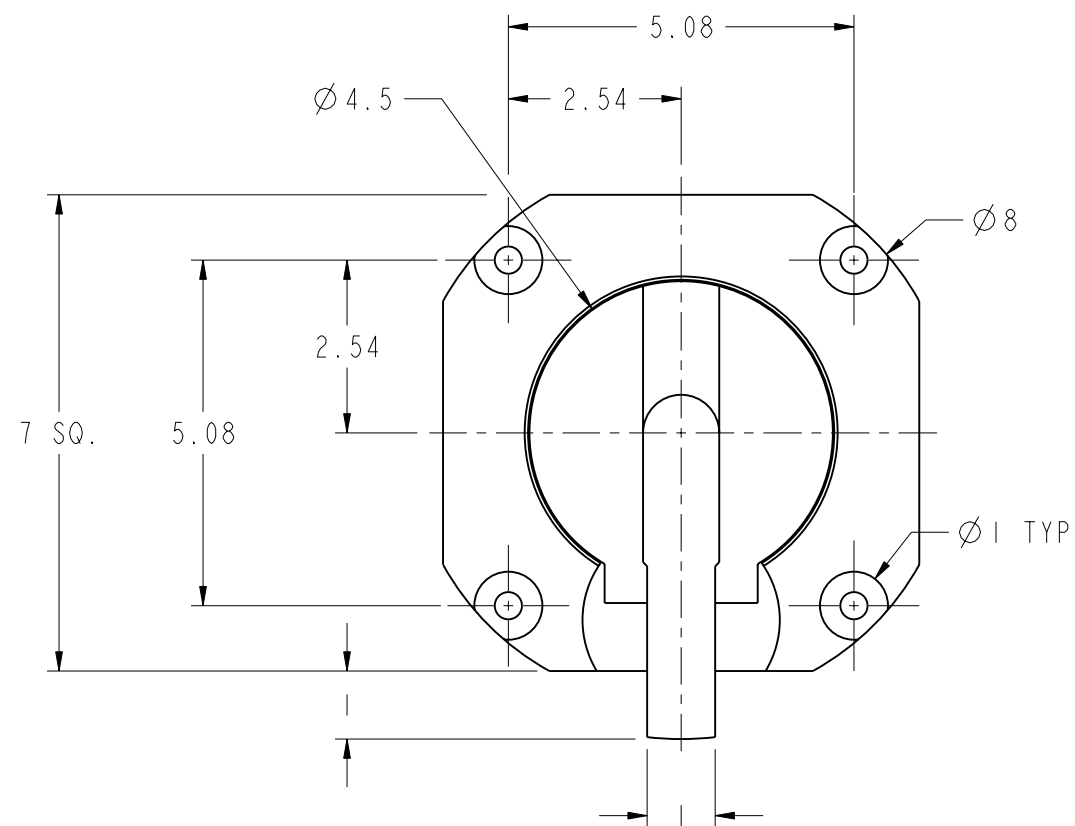
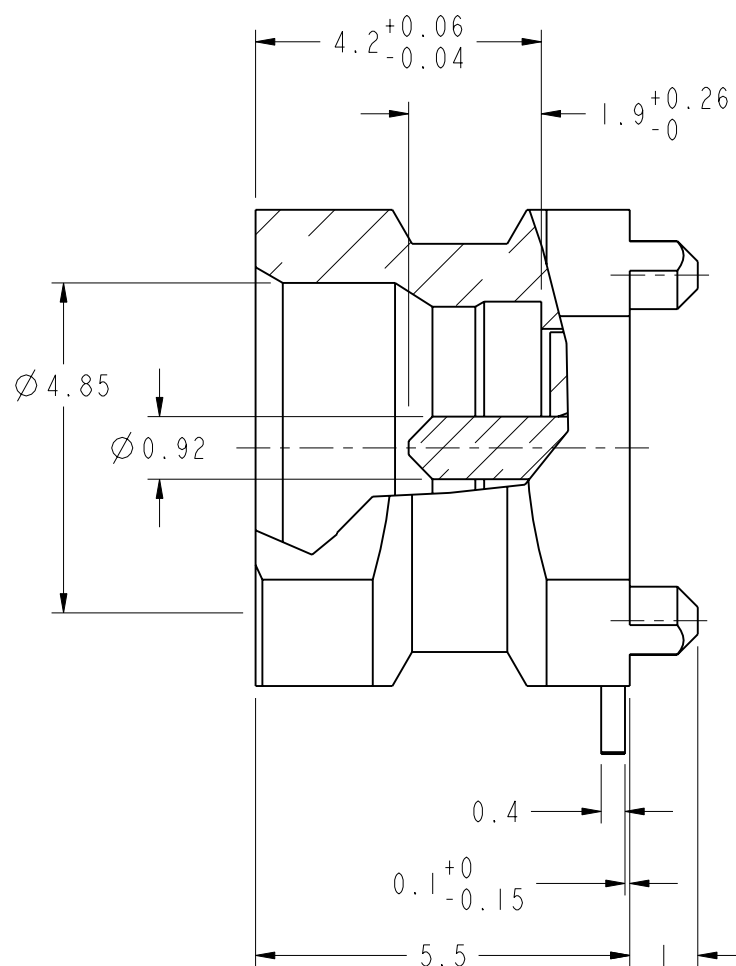
A. IMPEDANCE:50 OHM  
 B. FREQUENCY RANGE: DC-10 GHz  
 C. RETURN LOSS(VSWR): 30 dB MIN.@ DC-4 GHz  
 25 dB MIN.@ 4-6 GHz  
 D. INSERTION LOSS: 0.03X $\sqrt{f(\text{GHz})}$  dB MAX.  
 E. INSULATION RESISTANCE:5 GΩ MIN.  
 F. DIELECTRIC WITHSTANDING VOLTAGE: 1000 VRMS MIN.  
 G. POWER HANDLING:200 W MAX.@ 2.2 GHz AT 20°C, SEA LEVEL  
 H. INTERMODULATION(3rd order):160 dBc MIN.@ (2X43dBm)

3. MECHANICAL:

A. MATING CYCLES:100 MIN.  
 B. ENGAGEMENT FORCE: 45 N MAX  
 C. DISENGAGEMENT FORCE: 15 N MIN  
 D. INNER CONTACT RETENTION FORCE: 7 N MIN  
 E. TEMPERATURE RANGE: -65° C TO 165° C



RECOMMENDED MOUNTING HOLE



SCALE 3.000

THIRD ANGLE PROJ.

REVISIONS

REV	DESCRIPTION	DATE	ECO	APPR
A	RELEASE TO MFG.	18-Jun-15		AY
B	TITLE WAS CHANGED, ADDED PART NO. PSMP-MSLD-PCTIR ADDED RECOMMENDED MOUNTING HOLE	03-Dec-15	50842	SW

**CUSTOMER OUTLINE DRAWING**

ALL OTHER SHEETS ARE FOR INTERNAL USE ONLY

UNLESS OTHERWISE SPECIFIED, DIMENSIONS ARE IN METRIC AND TOLERANCES ARE: <0.5mm ±0.05mm    0.5 - 6mm ±0.1mm    6 - 30mm ±0.2mm    30 - 120mm ±0.3mm    ANGLES ±1°	MATERIAL	DRAWN STAMN	DATE 03-Dec-15	TITLE POWER-SMP STRAIGHT MALE FOR PCB LIMITED DETENT	Amphenol RF www.amphenolrf.com
	NOTICE - These drawings, specifications, or other data (1) are, and remain the property of Amphenol corp. (2) must be returned upon request; and (3) are confidential and not to be disclosed to any person other than those to whom they are given by Amphenol Corp. the finishing of these drawings, specifications, or other data by Amphenol Corp., or to any other person to anyone for any purpose is not to be regarded by implication or otherwise in any manner licensing, granting rights to permitting such holder or any other person to manufacture, use or sell any product, process or design, patented or otherwise, that may in any way be related to or disclosed by said drawings, specifications, or other data.	REFERENCE EAR 6577 PSMP1251D1-001-8GPAP8GPA-50 119S103-40ML5	ENGINEER RICKSON		
	FINISH	APPROVED RICKSON	DATE 03-Dec-15	SCALE: 6.0:1.0    SHEET 2 OF 2	ITEM NO. 671251ABR002C5F
		CAD FILE		DWG SIZE B	REV B
					PART NO. PSMP-MSLD-PCTIR