

NOTES:

1. MATERIALS AND FINISHES:

- BODY - BERYLLIUM COPPER, GOLD PLATING
- CONTACT - BERYLLIUM COPPER, GOLD PLATING
- INSULATOR - PTFE

2. ELECTRICAL:

- A. IMPEDANCE: 50 OHM
- B. FREQUENCY RANGE: DC - 26.5 GHz
- C. VSWR(RETURN LOSS): 1.2 (20.8 dB), MAX. DC-10GHz  
1.4 (15.6 dB), MAX. 10-18GHz  
1.5 (14 dB), MAX. 18-26.5GHz
- D. DIELECTRIC WITHSTANDING VOLTAGE: 500 VRMS, MIN.

3. PHYSICAL:

- A. DURABILITY: 100 CYCLES MIN. WHEN MATED FULL DETENT JACK  
500 CYCLES MIN. WHEN MATED LIMITED DETENT JACK  
1000 CYCLES MIN. WHEN MATED A SMOOTH BORE JACK
- B. TEMPERATURE RANGE: -65° C TO +165° C

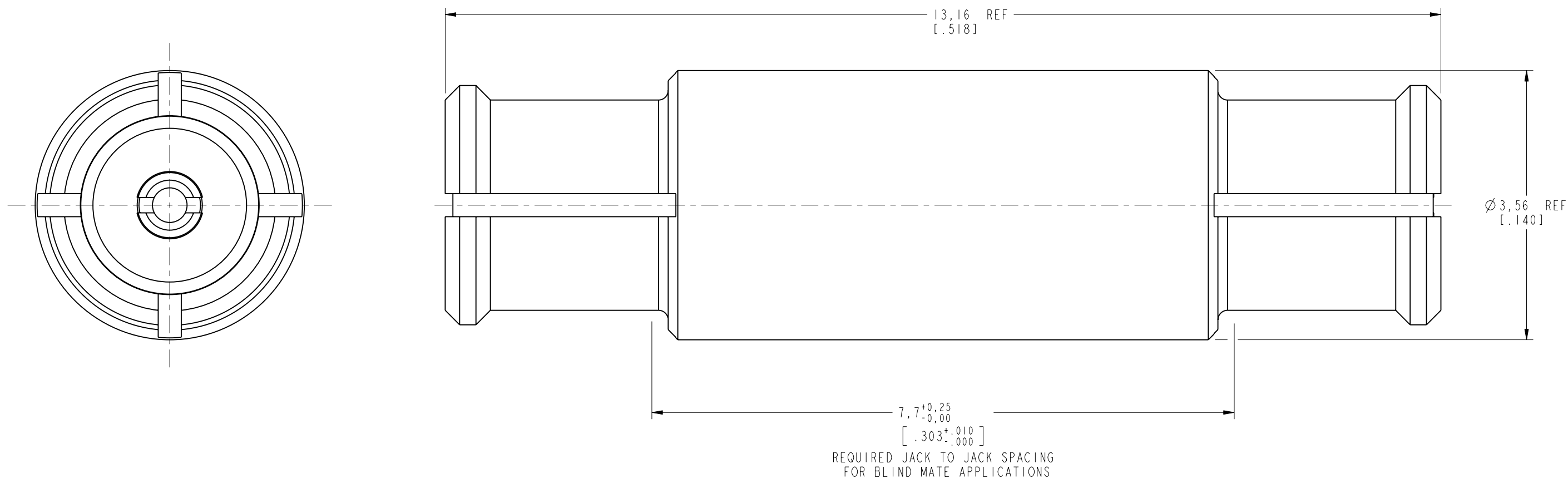
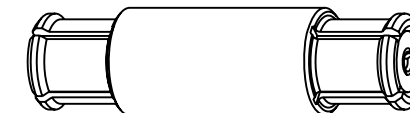
4. PACKAGING:

- A. QUANTITY: SINGLE PACK
- B. MARKING: AMPHENOL RF, SMP-FSBA-1316, DATE CODE (YYWW)  
ROHS DIRECTIVE 2011/65/EU COMPLIANT

THIRD ANGLE PROJ.

REVISIONS

REV	DESCRIPTION	DATE	ECO	APPR
A	RELEASE TO MFG.	25-Oct-16	02181	JTS



**CUSTOMER OUTLINE DRAWING**  
ALL OTHER SHEETS ARE FOR INTERNAL USE ONLY

<p>UNLESS OTHERWISE SPECIFIED, DIMENSIONS ARE IN METRIC AND TOLERANCES ARE:                  &lt;0.5mm ±0.05mm    0.5 - 6mm ±0.1mm    6 - 30mm ±0.2mm    30 - 120mm ±0.3mm    ANGLES ±1°</p>	MATERIAL	DRAWN M. ZHANG	DATE 25-Oct-16	<p>TITLE SMP BULLET ASSY 13.16 mm</p>	<p>Amphenol RF www.amphenolrf.com</p>	
	REFERENCE EAR # 6640	ENGINEER D. DAVE	DATE 26-Feb-15			DRAWING NO. SMP-FSBA-1316
<p>NOTICE - These drawings, specifications, or other data (1) are, and remain the property of Amphenol corp. (2) must be returned upon request; and (3) are confidential and not to be disclosed to any person other than those to whom they are given by Amphenol Corp. the furnishing of these drawings, specifications, or other data by Amphenol Corp., or to any other person to anyone for any purpose is not to be regarded by implication or otherwise in any manner licensing, granting rights to permitting such holder or any other person to manufacture, use or sell any product, process or design, patented or otherwise, that may in any way be related to or disclosed by said drawings, specifications, or other data.</p>	FINISH	APPROVED S. HSIEH	DATE 25-Oct-16	SCALE: 18.0:1.0   SHEET 2 OF 2	ITEM NO. SMP-FSBA-1316	
		CAD FILE			DWG SIZE B	PART NO. SMP-FSBA-1316
					REV A	