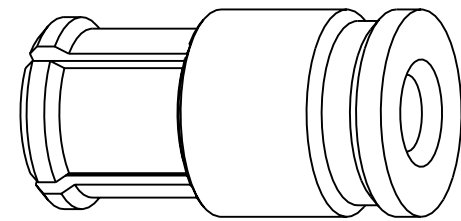


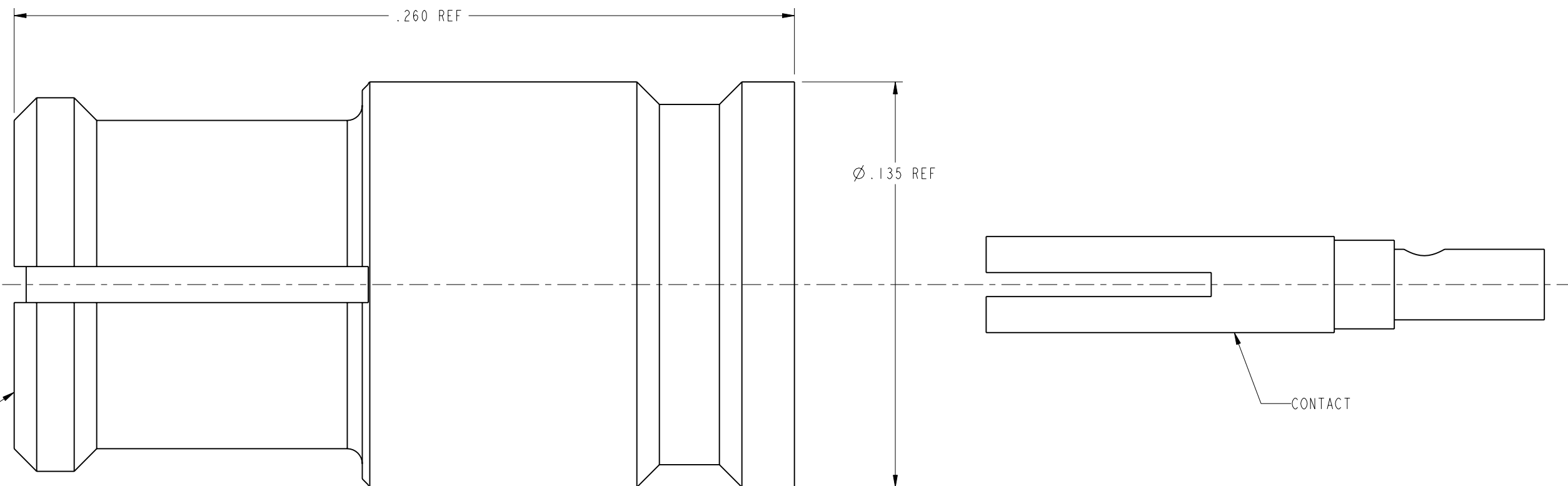
NOTES:

1. MATERIALS AND FINISHES:
 BODY - BeCu, GOLD PLATING, .000030 [0.8] THICK OVER NICKEL
 CONTACT - BeCu, GOLD PLATING, .000030 [0.8] THICK OVER NICKEL
 INSULATOR - PTFE
2. ELECTRICAL:
 A. IMPEDANCE: 50 OHM
 B. FREQUENCY RANGE: DC - 26.5 GHz
 C. VSWR(RETURN LOSS): 1.2 (20.8 dB), MAX. DC-10GHz
 1.4 (15.6 dB), MAX. 10-18GHz
 1.5 (14 dB), MAX. 18-26.5GHz
 D. DIELECTRIC WITHSTANDING VOLTAGE: 500 VRMS, MIN.
3. PHYSICAL:
 A. DURABILITY: 100 CYCLES MIN.
 B. ENGAGEMENT FORCE: 15 LB [67 N] MAX
 C. DISINGAGEMENT FORCE: 2 LB [9 N] MIN
 E. TEMPERATURE RANGE: -65° C TO 165° C
4. PACKAGING:
 A. QUANTITY: SINGLE PACK
 B. MARKING: AMPHENOL, SMP-FS-C06, DATE CODE
5. SEE AMPHENOL SPEC 349-50686 FOR CABLE ASSEMBLY INSTRUCTIONS.

| SMP-FS-C06 | | REVISIONS | | | |
|-------------------|-----|-------------------|----------|-----|------|
| DRAWING NO. | REV | DESCRIPTION | DATE | ECO | APPR |
| THIRD ANGLE PROJ. | 01 | PROTOTYPE RELEASE | 10/02/01 | | MAH |



SCALE 8.000



INTERFACE PER MIL-STD-348 SERIES SMP

CUSTOMER OUTLINE DRAWING
 ALL OTHER SHEETS ARE FOR INTERNAL USE ONLY

| | | | | | |
|--|--|-----------------------------|-------------------|--|---|
| UNLESS OTHERWISE SPECIFIED, DIMENSIONS ARE IN INCHES AND TOLERANCES ARE: 2 PLACE DECIMAL ±.015 (0.381 mm) 3 PLACE DECIMAL ±.005 (0.127 mm) ANGLES ± 1° | MATERIAL | DRAWN MIKE HOYACK | DATE 02-Oct-01 | TITLE SMP FEMALE SOCKET CONTACT FOR .047 S.R. CABLE | Amphenol Amphenol Corporation Communication and Network Products Division Danbury, CT U.S.A. 06810 |
| | REFERENCE GEN# ASSYFI_SMP EAR# 967585-1 615x-1600-100-1 | ENGINEER OWEN BARTHELMES | DATE 26-Jun-00 | | |
| NOTICE - These drawings, specifications, or other data (1) are, and remain the property of Amphenol Corp. (2) must be returned upon request; and (3) are confidential and not to be disclosed to any person other than those to whom they are given by Amphenol Corp.. The furnishing of these drawings, specifications, or other data by Amphenol Corp., or to any other person to anyone for any purpose is not to be regarded by implication or otherwise in any manner licensing, granting rights or permitting such holder or any other person to manufacture, use or sell any product, process or design, patented or otherwise, that may in any way be related to or disclosed by said drawings, specifications, or other data. | CAD FILE I:\SMP\SMP-FS-C06 | CODE ID 74868 | DWG SIZE B | DRAWING NO. SMP-FS-C06 | REV 01 |