

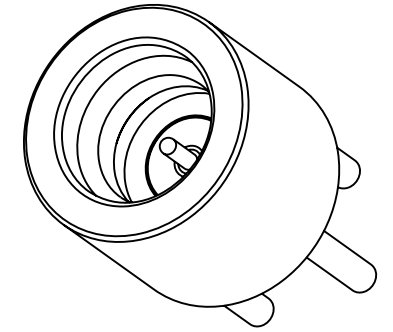
NOTES:

1. MATERIALS AND FINISHES:
 BODY - BRASS, GOLD PLATING, OVER HIGH PHOSPHOROUS NICKEL
 CONTACT - BRASS, GOLD PLATING, OVER HIGH PHOSPHOROUS NICKEL
 INSULATOR - PTFE
2. ELECTRICAL:
 A. IMPEDANCE: 50 OHM
 B. FREQUENCY RANGE: DC - 12 GHz
 C. VSWR: 1.15 MAX
 D. DIELECTRIC WITHSTANDING VOLTAGE - 500 VRMS MIN
3. MECHANICAL:
 A. TEMPERATURE RANGE: -65° C TO +165° C
 B. DURABILITY: 500 CYCLES MIN.
4. PACKAGING:
 A. QUANTITY: SINGLE PACK
 B. MARKING: BAG TO BE MARKED
 "AMPHENOLRF, SMP-FS-LDPCT, AND DATE CODE"

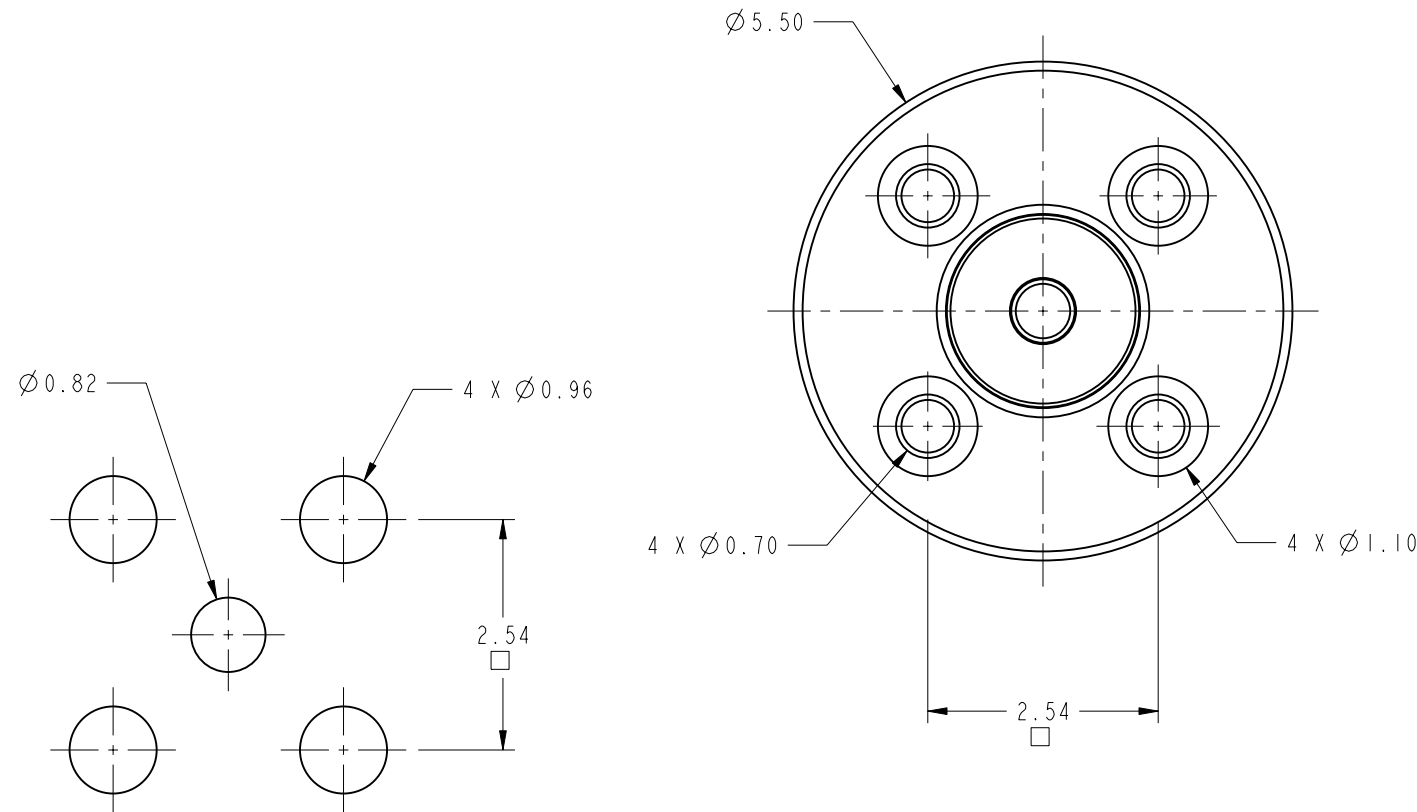
THIRD ANGLE PROJ.

REVISIONS

| REV | DESCRIPTION | DATE | ECO | APPR |
|-----|-----------------|-----------|-------|------|
| A | RELEASED TO MFG | 16-Jan-12 | 47842 | SH |



SCALE 6.000



SCALE 12.000
RECOMMENDED MOUNTING
HOLE DIMENSION

CUSTOMER OUTLINE DRAWING

ALL OTHER SHEETS ARE FOR INTERNAL USE ONLY

| | | | | | |
|--|---|--|------------------------|---|---|
| UNLESS OTHERWISE SPECIFIED, DIMENSIONS ARE IN METRIC AND TOLERANCES ARE: <0.5mm ±0.05mm 0.5 - 6mm ±0.1mm 6 - 30mm ±0.2mm 30 - 120mm ±0.3mm ANGLES ±1° | MATERIAL SEE TABLE | DRAWN S.LI | DATE 13-Jan-12 | TITLE ASSEMBLY SMP, JACK LIMITED DETENT | Amphenol RF Danbury CT USA, Tainan, Taiwan, Shenzhen, China www.amphenolrf.com |
| | NOTICE - These drawings, specifications, or other data (1) are, and remain the property of Amphenol corp. (2) must be returned upon request; and (3) are confidential and not to be disclosed to any person other than those to whom they are given by Amphenol Corp. the furnishing of these drawings, specifications, or other data by Amphenol Corp., or to any other person to anyone for any purpose is not to be regarded by implication or otherwise in any manner licensing, granting rights to permitting such holder or any other person to manufacture, use or sell any product, process or design, patented or otherwise, that may in any way be related to or disclosed by said drawings, specifications, or other data. | REFERENCE EAR # 2983 AND 615X-2333-200 CONFIGURATION LEVEL: <input type="checkbox"/> <input type="checkbox"/> <input type="checkbox"/> | ENGINEER NISCHIT MV | | |
| | FINISH | APPROVED S.HSIEH | DATE 17-Jan-12 | DWG SIZE B | REV A |
| | | Root Folder/SMP/SMP-FS-LDPCT | | | |