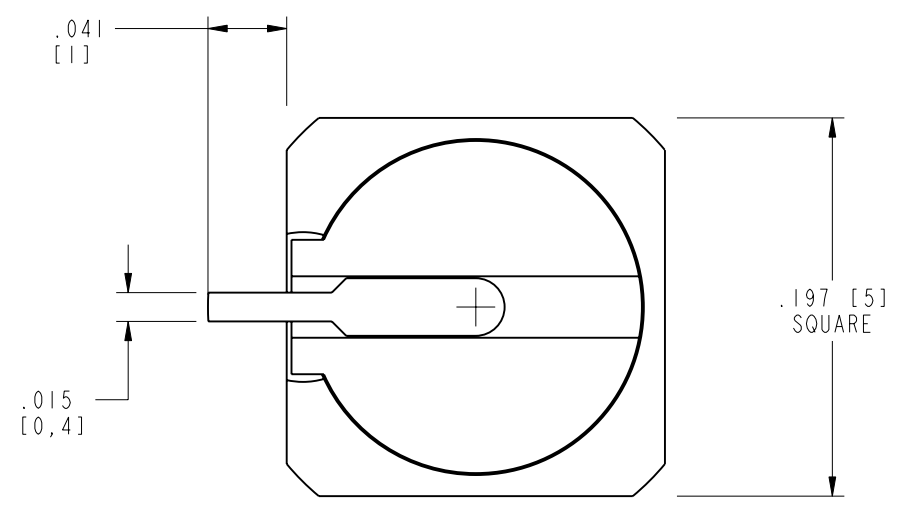
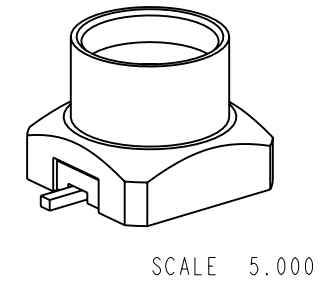
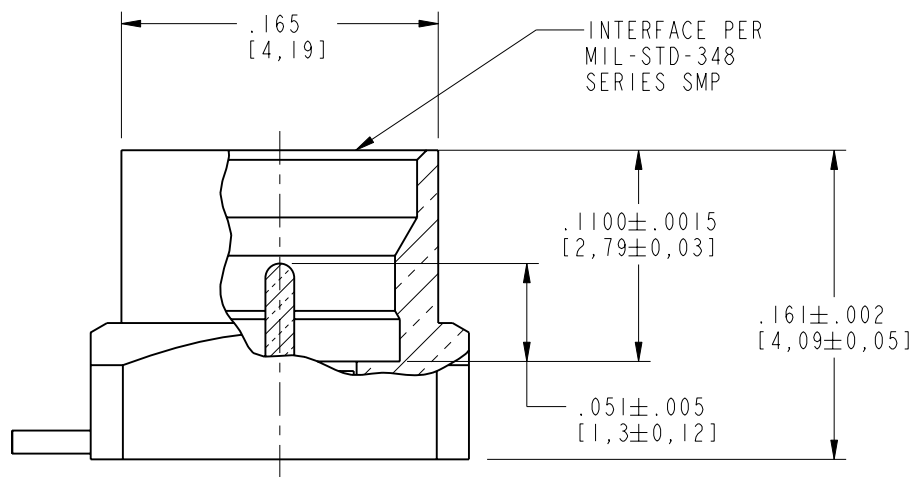
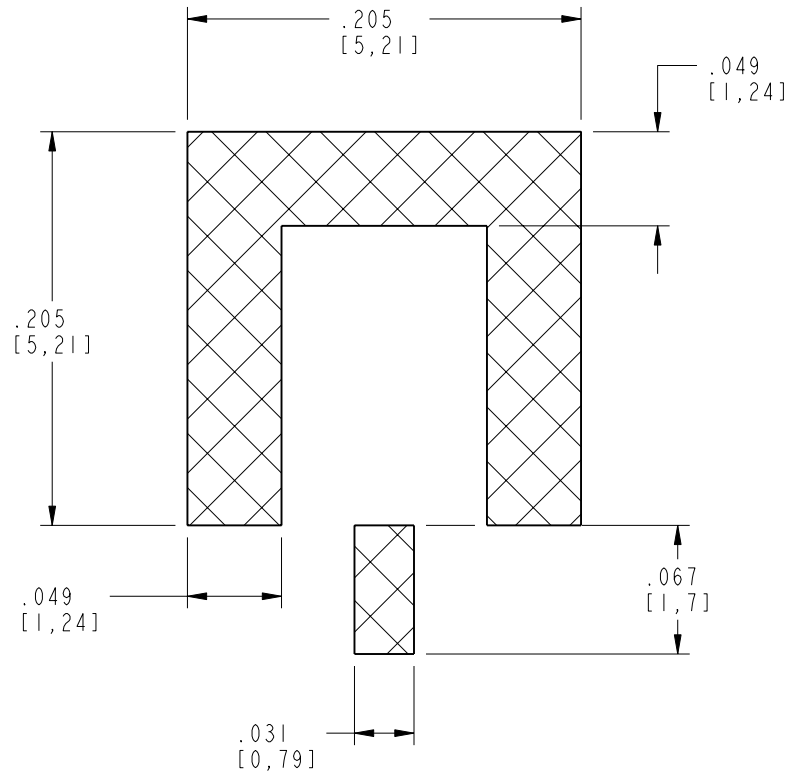


NOTES:

1. MATERIALS AND FINISHES:
 BODY - BRASS, GOLD PLATING, .000030 [0.8] THICK OVER NICKEL
 CONTACT - GOLD, GOLD PLATING, .000030 [0.8] THICK OVER NICKEL
 INSULATOR - PEEK OR LCP
2. ELECTRICAL:
 A. IMPEDANCE: 50 OHM
 B. FREQUENCY RANGE: DC - 18 GHz
 C. VSWR(RETURN LOSS): 1.10 (26.4 dB), MAX. DC-6GHz
 1.15 (23.1 dB), MAX. 6-10GHz
 1.30 (17.7 dB), MAX. 10-18GHz
 D. DIELECTRIC WITHSTANDING VOLTAGE: 335 VRMS, MIN.
3. PHYSICAL:
 A. DURABILITY: 500 CYCLES MIN.
 B. ENGAGEMENT FORCE: 2 LB [9 N] MAX
 C. DISENGAGEMENT FORCE: .5 LB [2.2 N] MIN
 D. INNER CONTACT RETENTION FORCE: 1.5 LB [7 N] MIN
 E. TEMPERATURE RANGE: -65° C TO 165° C

SMP-MSLD-PCS		REVISIONS			
DRAWING NO.	REV	DESCRIPTION	DATE	ECO	APPR
THIRD ANGLE PROJ.	A	RELEASE TO MFG.	3/2/05	45426	MAH



CUSTOMER OUTLINE DRAWING
ALL OTHER SHEETS ARE FOR INTERNAL USE ONLY

UNLESS OTHERWISE SPECIFIED, DIMENSIONS ARE IN INCHES AND TOLERANCES ARE: 2 PLACE DECIMAL 3 PLACE DECIMAL ANGLES ±.015 (0,381 mm) ±.005 (0,127 mm) ± 1°	MATERIAL	DRAWN OWEN BARTHELMES	DATE 26-Apr-05	TITLE SMP MALE SMT PCB RECEPTACLE LIMITED DETENT		Amphenol RF Danbury, CT, USA Tainan, Taiwan Shenzhen, China www.amphenolrf.com	
	REFERENCE GEN# ASSYM7_SMP EAR# 615X-1782 PREVIOUSLY SMP-MSLD-PCS-1	ENGINEER OWEN BARTHELMES	DATE 26-Apr-05				
NOTICE - These drawings, specifications, or other data (1) are, and remain the property of Amphenol Corp. (2) must be returned upon request; and (3) are confidential and not to be disclosed to any person other than those to whom they are given by Amphenol Corp. The furnishing of these drawings, specifications, or other data by Amphenol Corp., or to any other person to anyone for any purpose is not to be regarded by implication or otherwise in any manner licensing, granting rights or permitting such holder or any other person to manufacture, use or sell any product, process or design, patented or otherwise, that may in any way be related to or disclosed by said drawings, specifications, or other data.		CAD FILE ISMBMSSMPP@SLD-PCS	CODE ID 74868	DWG SIZE B	DRAWING NO. SMP-MSLD-PCS	SCALE: 10.0:1	SHEET 2 OF 2
							REV A