

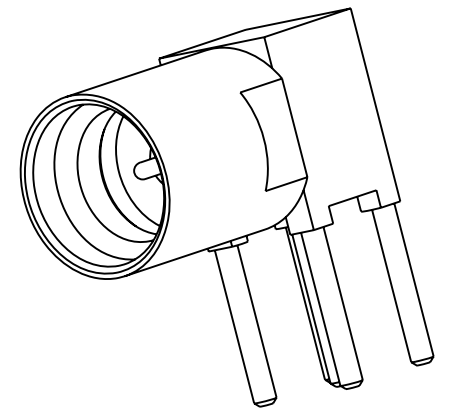
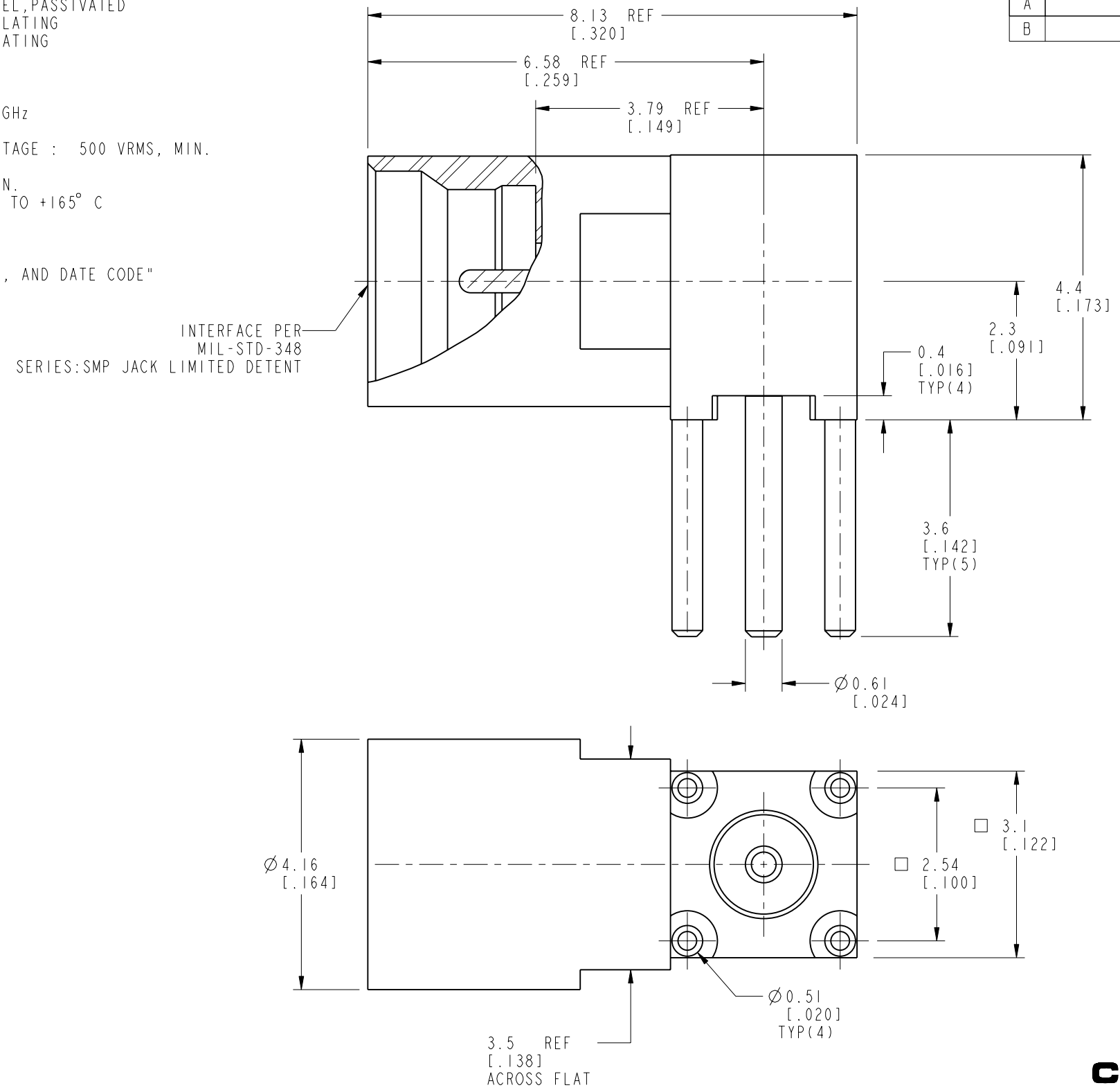
NOTES:

1. MATERIALS AND FINISHES:
 - BODY - STAINLESS STEEL, PASSIVATED
 - HOUSING - BRASS, GOLD PLATING
 - CONTACT - BeCu, GOLD PLATING
 - INSULATOR - PTFE
2. ELECTRICAL:
 - A. IMPEDANCE : 50 OHM
 - B. FREQUENCY RANGE : DC - 12 GHz
 - C. VSWR : 1.25 MAX.
 - D. DIELECTRIC WITHSTANDING VOLTAGE : 500 VRMS, MIN.
3. MECHANICAL:
 - A. DURABILITY : 500 CYCLES MIN.
 - B. TEMPERATURE RANGE : -65° C TO +165° C
4. PACKAGING:
 - A. QUANTITY: SINGLE PACK
 - B. MARKING: BAG TO BE MARKED
"AMPHENOLRF, SMP-MSLD-PCT-6, AND DATE CODE"

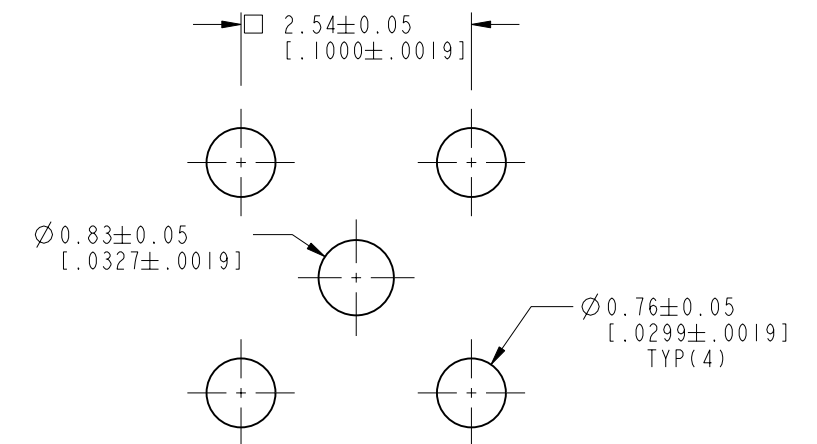
THIRD ANGLE PROJ.

REVISIONS

REV	DESCRIPTION	DATE	ECO	APPR
A	RELEASE TO MFG.	05-Nov-10'	--	BZ
B	SYNC ARFA AND DANBURY DRAWING	08-Jun-11'	48632	SCOTT



SCALE 6.000



RECOMMENDED MOUNTING HOLE DIMENSION

CUSTOMER OUTLINE DRAWING
ALL OTHER SHEETS ARE FOR INTERNAL USE ONLY

UNLESS OTHERWISE SPECIFIED, DIMENSIONS ARE IN METRIC AND TOLERANCES ARE: <0.5mm ± 0.05mm 0.5 - 6mm ± 0.1mm 6 - 30mm ± 0.2mm 30 - 120mm ± 0.3mm ANGLES ± 1°	MATERIAL	DRAWN I.XU	DATE 08-Jun-11'	TITLE SMP JACK R/A LIMITED DETENT PCB MOUNT	Amphenol RF Danbury CT USA, Tainan, Taiwan, Shenzhen, China www.amphenolrf.com
	REFERENCE EAR # 3786	ENGINEER A ARUN PRABU	DATE 30-Oct-09'		
NOTICE - These drawings, specifications, or other data (1) are, and remain the property of Amphenol corp. (2) must be returned upon request; and (3) are confidential and not to be disclosed to any person other than those to whom they are given by Amphenol Corp. the furnishing of these drawings, specifications, or other data by Amphenol Corp., or to any other person to anyone for any purpose is not to be regarded by implication or otherwise in any manner licensing, granting rights to permitting such holder or any other person to manufacture, use or sell any product, process or design, patented or otherwise, that may in any way be related to or disclosed by said drawings, specifications, or other data.	FINISH	APPROVED S.HSIEH	DATE 08-Jun-11'	SCALE: 11.5:1.0 SHEET 2 OF 2 DWG SIZE B REV B	
		I: /SMP/SMP-MSLD-PCT-6			