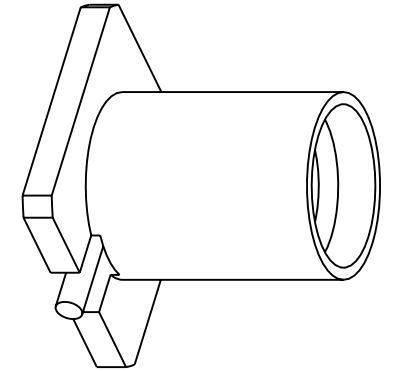
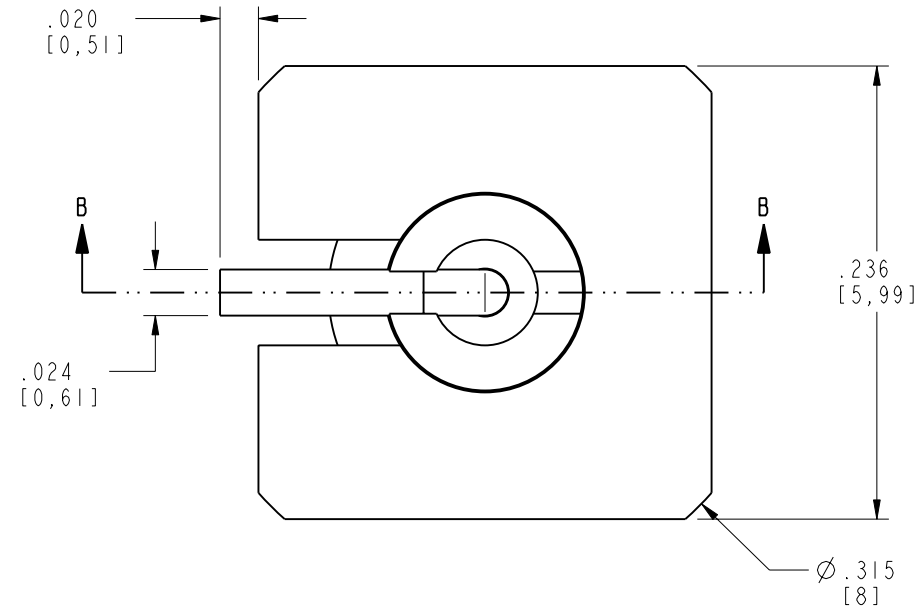


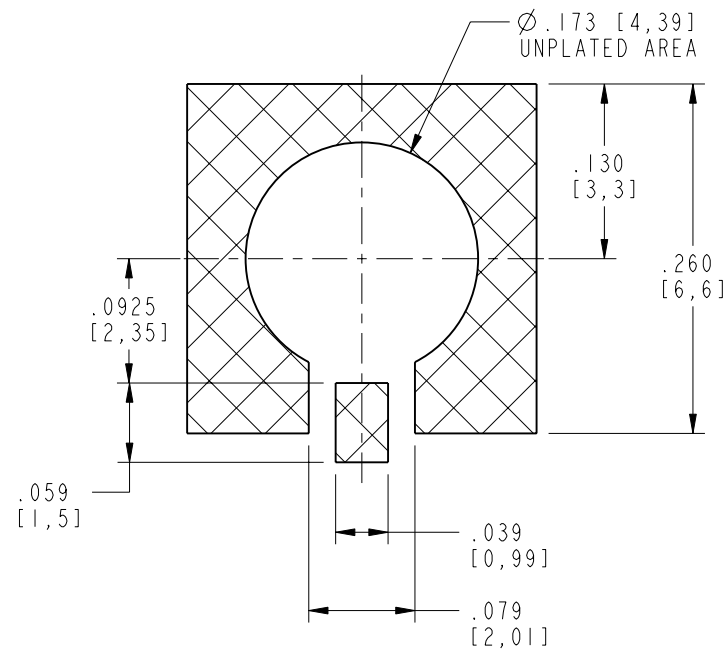
NOTES:

1. MATERIALS AND FINISHES:
 - BODY - BRASS, GOLD PLATING, .000030 [0.8] THICK OVER COPPER
 - CONTACT - GOLD, GOLD PLATING, .000030 [0.8] THICK OVER COPPER
 - INSULATOR - PTFE
2. ELECTRICAL:
 - A. IMPEDANCE: 50 OHM
 - B. FREQUENCY RANGE: DC - 12 GHz
 - C. VSWR(RETURN LOSS): 1.10 (26 dB), MAX. DC-6GHz
1.20 (21 dB), MAX. 6-12GHz
 - D. DIELECTRIC WITHSTANDING VOLTAGE: 500 VRMS, MIN.
3. PHYSICAL:
 - A. DURABILITY: 1000 CYCLES MIN.
 - B. ENGAGEMENT FORCE: 2 LB [45 N] MAX
 - C. DISENGAGEMENT FORCE: .5 LB [9 N] MIN
 - D. INNER CONTACT RETENTION FORCE: 1.5 LB [7 N] MIN
 - E. TEMPERATURE RANGE: -65° C TO 165° C
4. PACKAGING:
 - A. QUANTITY: SINGLE PACK
 - B. MARKING: AMPHENOL, SMP-MSSB-PCR, DATE CODE

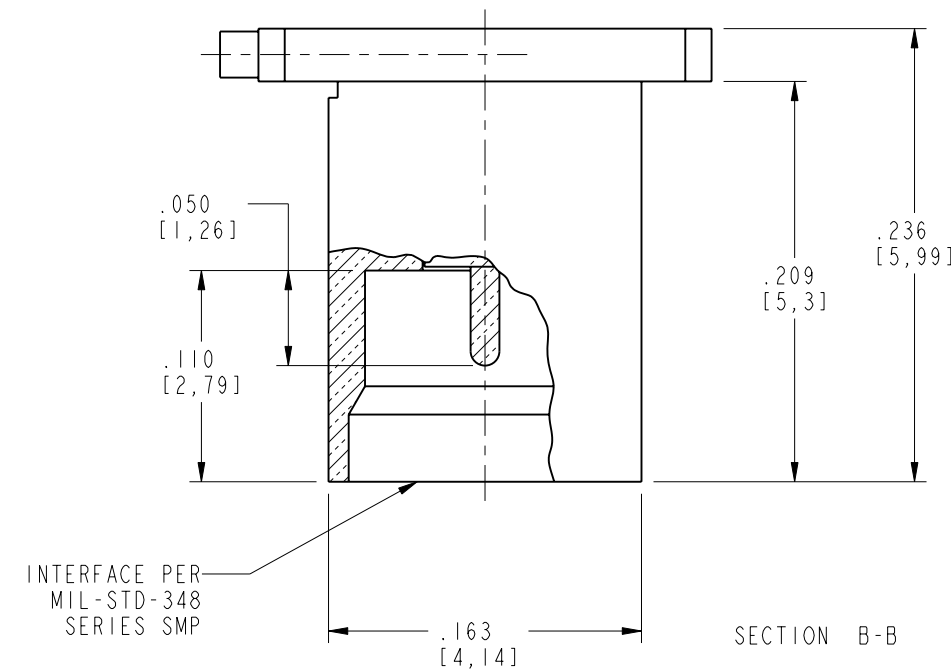
SMP-MSSB-PCR		REVISIONS			
DRAWING NO.	REV	DESCRIPTION	DATE	ECO	APPR
THIRD ANGLE PROJ.	A	RELEASE TO MFG.	9/12/05	45722	MY



SCALE 6.000



RECOMMENDED PCB PAD LAYOUT
SCALE 7.000



SECTION B-B

CUSTOMER OUTLINE DRAWING
ALL OTHER SHEETS ARE FOR INTERNAL USE ONLY

UNLESS OTHERWISE SPECIFIED, DIMENSIONS ARE IN INCHES AND TOLERANCES ARE:
2 PLACE DECIMAL ±.015 (0,381 mm) 3 PLACE DECIMAL ±.005 (0,127 mm) ANGLES ± 1°

NOTICE - These drawings, specifications, or other data (1) are, and remain the property of Amphenol Corp. (2) must be returned upon request; and (3) are confidential and not to be disclosed to any person other than those to whom they are given by Amphenol Corp. The furnishing of these drawings, specifications, or other data by Amphenol Corp., or to any other person to anyone for any purpose is not to be regarded by implication or otherwise in any manner licensing, granting rights or permitting such holder or any other person to manufacture, use or sell any product, process or design, patented or otherwise, that may in any way be related to or disclosed by said drawings, specifications, or other data.

MATERIAL	DRAWN	DATE	TITLE
	MIKE HOYACK	02-Oct-01	ASSEMBLY
REFERENCE	ENGINEER	DATE	PC BOARD, REAR MOUNT
GEN# ASSYM2_SMP	OWEN BARTHELMES	25-Apr-01	SMOOTH BORE
EAR# 283	APPROVED	DATE	
615X-1690-100	OWEN BARTHELMES	9/12/05	
	CAD FILE	CODE ID	DWG SIZE
	I:\SMP\SMP-MSSB-PCR	74868	B

DRAWING NO.	REV	DESCRIPTION	DATE	ECO	APPR
THIRD ANGLE PROJ.	A	RELEASE TO MFG.	9/12/05	45722	MY

DRAWING NO.	REV	DESCRIPTION	DATE	ECO	APPR
SMP-MSSB-PCR	A	RELEASE TO MFG.	9/12/05	45722	MY

Amphenol RF		SCALE: 10.0:1		SHEET 2 OF 2	
Danbury, CT, USA					
Tainan, Taiwan					
Shenzhen, China					
www.amphenolrf.com					
DRAWING NO.	REV	DESCRIPTION	DATE	ECO	APPR
SMP-MSSB-PCR	A	RELEASE TO MFG.	9/12/05	45722	MY