
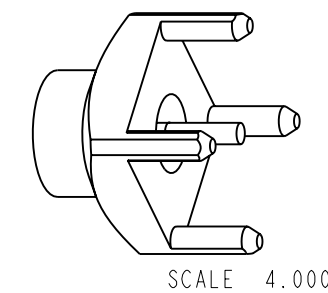


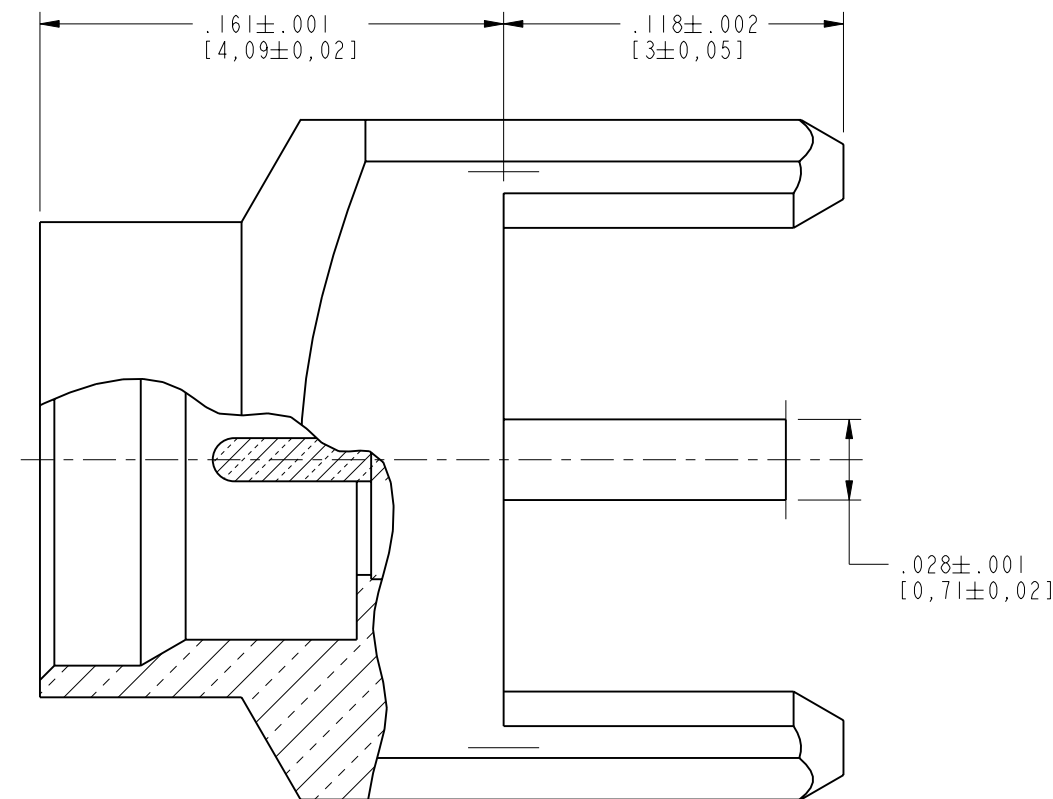
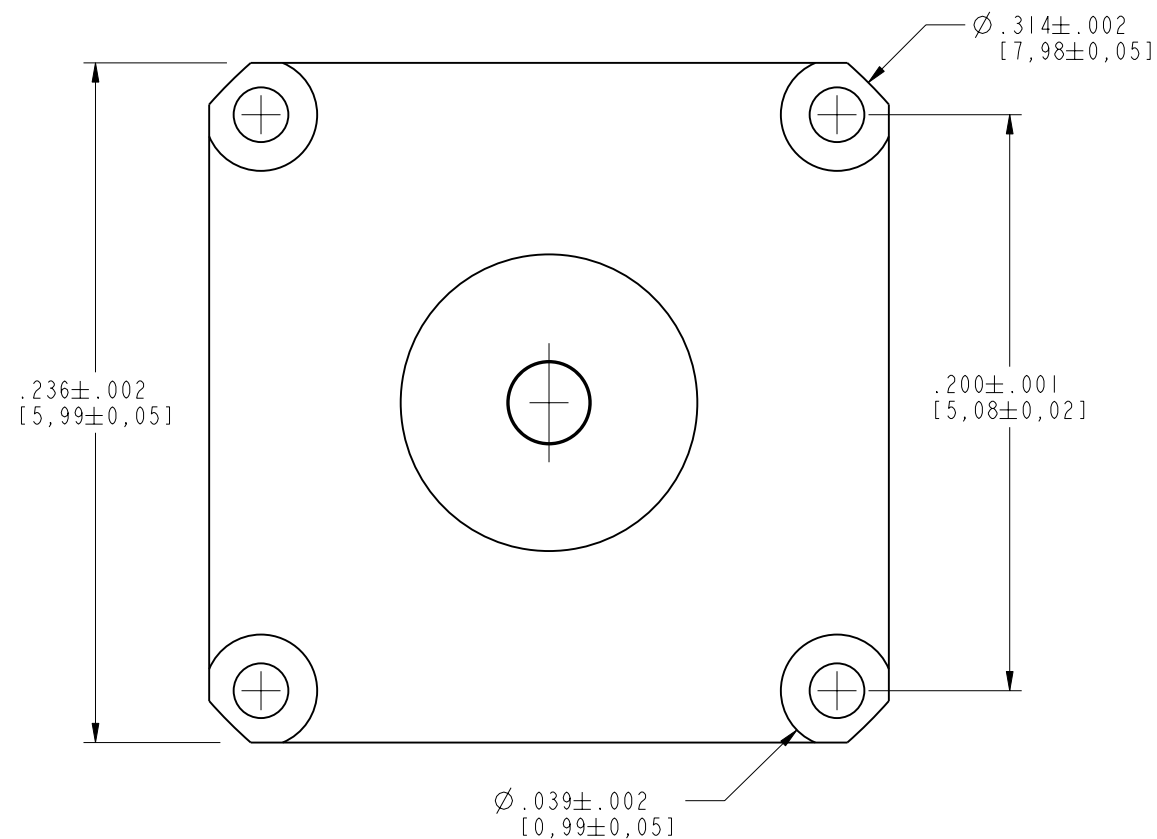
NOTES:

- MATERIALS AND FINISHES:
 - BODY - BRASS, GOLD PLATING, .000030 [0.8] THICK OVER COPPER
 - CONTACT - BRASS, GOLD PLATING, .000030 [0.8] THICK OVER COPPER
 - INSULATOR - PEEK OR LCP
- ELECTRICAL:
 - A. IMPEDANCE: 50 OHM
 - B. FREQUENCY RANGE: DC - 6 GHz
 - C. VSWR(RETURN LOSS): 1.10 (26.4 dB), MAX. DC-2GHz
1.22 (20 dB), MAX. 2-6GHz
 - D. DIELECTRIC WITHSTANDING VOLTAGE: 500 VRMS, MIN.
- PHYSICAL:
 - A. DURABILITY: 500 CYCLES MIN.
 - B. ENGAGEMENT FORCE: 2 LB [9 N] MAX
 - C. DISINGAGEMENT FORCE: .5 LB [2.2 N] MIN
 - D. INNER CONTACT RETENTION FORCE: 1.5 LB [7 N] MIN
 - E. TEMPERATURE RANGE: -65° C TO 165° C
- PACKAGING:
 - A. QUANTITY: SINGLE PACK
 - B. MARKING: AMPHENOL
SMP-MSSB-PCT
DATE CODE
QTY

SMP-MSSB-PCT		REVISIONS			
DRAWING NO.	REV	DESCRIPTION	DATE	ECO	APPR
FIRST ANGLE PROJ. 	01	PROTOTYPE RELEASE	8/28/01	---	MH
	02	SB WAS CM, SINGLE PACK WAS TAPE AND REEL, REMOVED PICK AND PLACE CAP	1/24/02		ORB



SCALE 4.000



SECTION B-B

CUSTOMER OUTLINE DRAWING
ALL OTHER SHEETS ARE FOR INTERNAL USE ONLY

UNLESS OTHERWISE SPECIFIED, DIMENSIONS ARE IN INCHES AND TOLERANCES ARE:
 2 PLACE DECIMAL 3 PLACE DECIMAL ANGLES
 ±.015 (0,381 mm) ±.005 (0,127 mm) ± 1°

NOTICE - These drawings, specifications, or other data (1) are, and remain the property of Amphenol Corp. (2) must be returned upon request; and (3) are confidential and not to be disclosed to any person other than those to whom they are given by Amphenol Corp. The furnishing of these drawings, specifications, or other data by Amphenol Corp., or to any other person to anyone for any purpose is not to be regarded by implication or otherwise in any manner licensing, granting rights or permitting such holder or any other person to manufacture, use or sell any product, process or design, patented or otherwise, that may in any way be related to or disclosed by said drawings, specifications, or other data.

MATERIAL

REFERENCE
 EAR# 283
 GEN# ASSYM4_SMP
 615X-1732

DRAWN M. HOYACK	DATE 28-Aug-01
ENGINEER M. HOYACK	DATE 28-Aug-01
APPROVED	DATE
CAD FILE I:\SMP\SMP-MSSB-PCT	

TITLE
 SMP MALE, PIN CONTACT
 PCB RECEPTACLE
 SMOOTH BORE

Amphenol
 Amphenol Corporation
 Communication and Network
 Products Division
 Danbury, CT U.S.A. 06810

SCALE: 15.0:1	SHEET	2 OF 2
CODE ID 74868	DWG SIZE B	DRAWING NO. SMP-MSSB-PCT
	REV	02