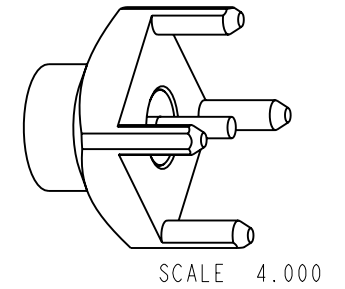


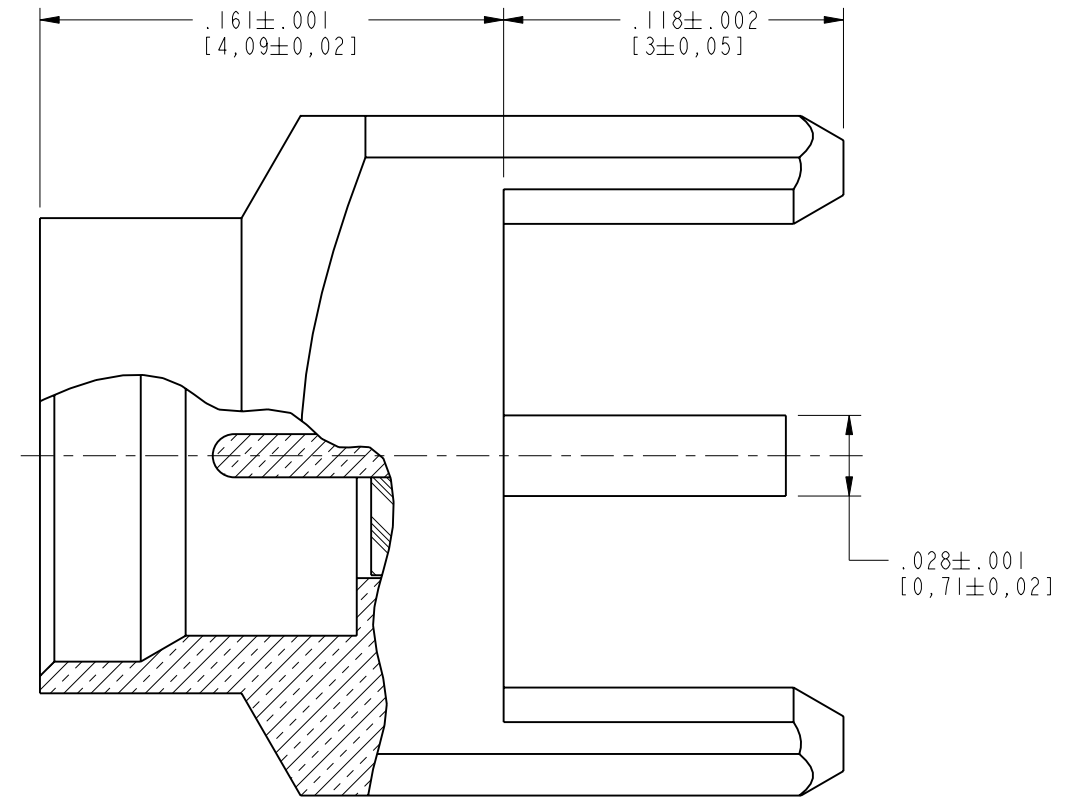
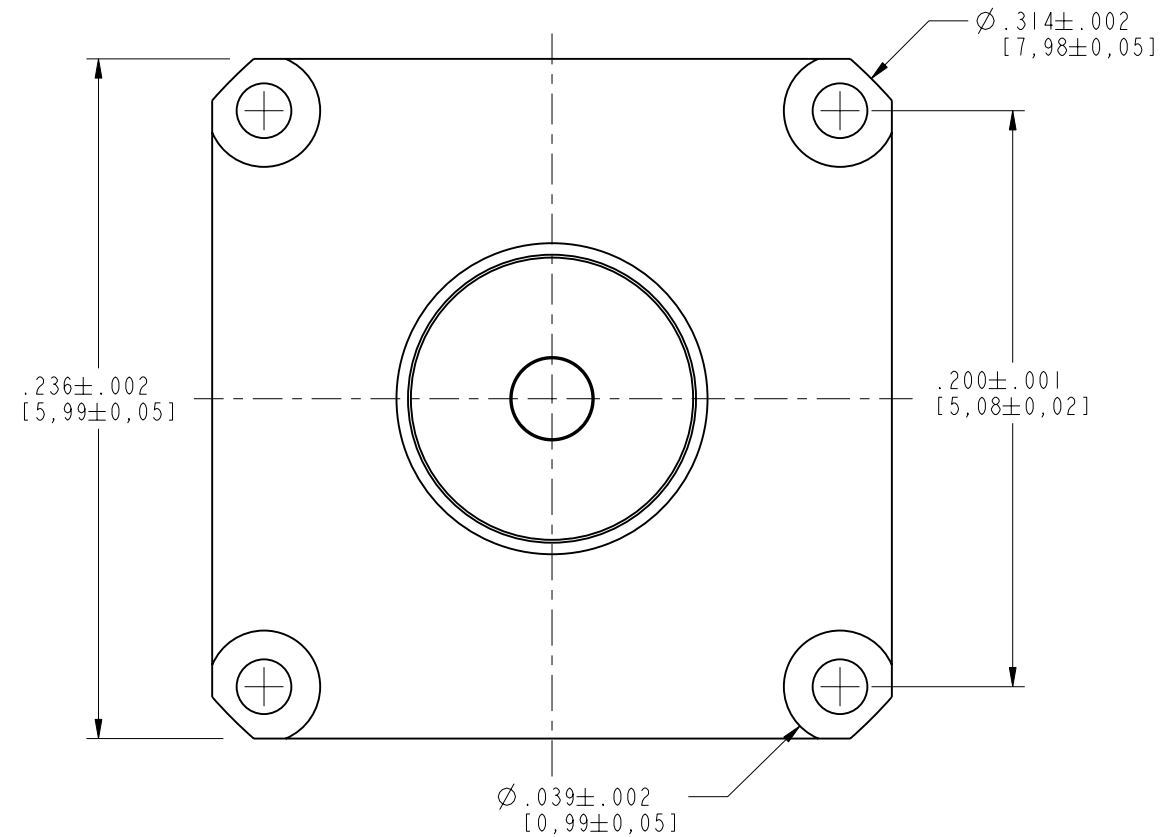
NOTES:

1. MATERIALS AND FINISHES:
 BODY - BRASS, GOLD PLATING, .000030 [0.8] THICK OVER COPPER
 CONTACT - BRASS, GOLD PLATING, .000030 [0.8] THICK OVER COPPER
 INSULATOR - PEEK OR LCP
2. ELECTRICAL:
 A. IMPEDANCE: 50 OHM
 B. FREQUENCY RANGE: DC - 6 GHz
 C. VSWR(RETURN LOSS): 1.10 (26.4 dB), MAX. DC-2GHz
 1.22 (20 dB), MAX. 2-6GHz
 D. DIELECTRIC WITHSTANDING VOLTAGE: 500 VRMS, MIN.
3. PHYSICAL:
 A. DURABILITY: 500 CYCLES MIN.
 B. ENGAGEMENT FORCE: 2 LB [9 N] MAX
 C. DISINGAGEMENT FORCE: .5 LB [2.2 N] MIN
 D. INNER CONTACT RETENTION FORCE: 1.5 LB [7 N] MIN
 E. TEMPERATURE RANGE: -65° C TO 165° C
4. PACKAGING:
 A. QUANTITY: SINGLE PACK
 B. MARKING:
 AMPHENOL
 SMP-MSSB-PCT
 DATE CODE
 QTY

SMP-MSSB-PCT		REVISIONS			
DRAWING NO.	REV	DESCRIPTION	DATE	ECO	APPR
FIRST ANGLE PROJ.	A	RELEASE TO MFG	3/2/05	45417	



SCALE 4.000



SECTION B-B

CUSTOMER OUTLINE DRAWING
ALL OTHER SHEETS ARE FOR INTERNAL USE ONLY

UNLESS OTHERWISE SPECIFIED, DIMENSIONS ARE IN INCHES AND TOLERANCES ARE: 2 PLACE DECIMAL 3 PLACE DECIMAL ANGLES ±.015 (0,381 mm) ±.005 (0,127 mm) ± 1°	MATERIAL	DRAWN M. HOYACK	DATE 28-Aug-01	TITLE SMP JACK, PIN CONTACT PCB RECEPTACLE CATCHERS MIT	Amphenol Amphenol Corporation Communication and Network Products Division Danbury, CT U.S.A. 06810
	REFERENCE EAR# 283 GEN# ASSYM4_SMP 615X-1732	ENGINEER M. HOYACK	DATE 28-Aug-01		
NOTICE - These drawings, specifications, or other data (1) are, and remain the property of Amphenol Corp. (2) must be returned upon request; and (3) are confidential and not to be disclosed to any person other than those to whom they are given by Amphenol Corp. The furnishing of these drawings, specifications, or other data by Amphenol Corp., or to any other person to anyone for any purpose is not to be regarded by implication or otherwise in any manner licensing, granting rights or permitting such holder or any other person to manufacture, use or sell any product, process or design, patented or otherwise, that may in any way be related to or disclosed by said drawings, specifications, or other data.		APPROVED O. BARTHELMES	DATE 3/2/05	SCALE: 15.0:1	SHEET 2 OF 2
		CAD FILE I:\SMP\SMP-MSSB-PCT	CODE ID 74868	DWG SIZE B	DRAWING NO. SMP-MSSB-PCT