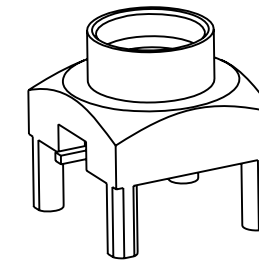
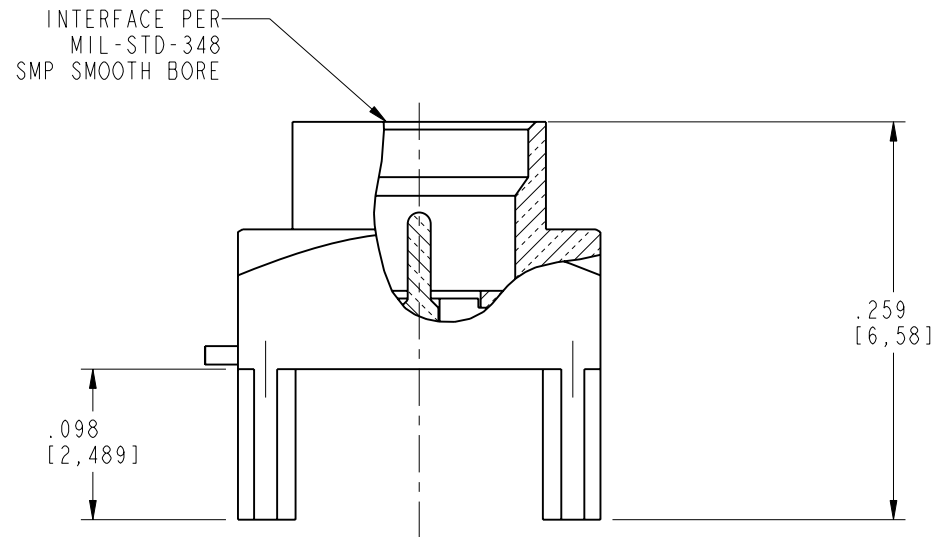


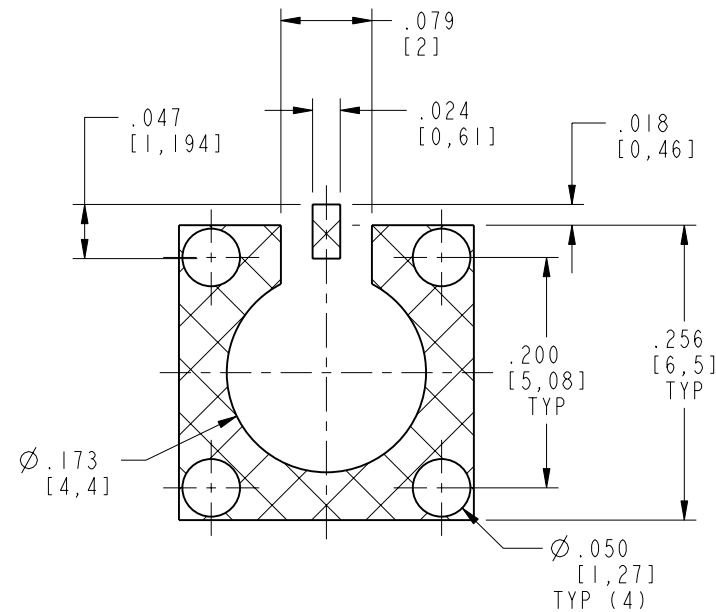
NOTES:

1. MATERIALS AND FINISHES:
 - BODY - BRASS, GOLD PLATING
 - CONTACT - BRASS, GOLD PLATING
 - INSULATOR - PEEK OR LCP
2. ELECTRICAL:
 - A. IMPEDANCE: 50 OHM
 - B. FREQUENCY RANGE: DC - 18 GHz
 - C. VSWR(RETURN LOSS): 1.10 (26 dB), MAX. DC - 6 GHz
 1.15 (23 dB), MAX. 6 - 10 GHz
 1.32 (17 dB), MAX. 10 - 18 GHz
 - D. DIELECTRIC WITHSTANDING VOLTAGE: 500 VRMS, MIN.
3. PHYSICAL:
 - A. DURABILITY: 500 CYCLES MIN.
 - B. ENGAGEMENT FORCE: 2 LB [9 N] MAX
 - C. DISENGAGEMENT FORCE: .5 LB [2.2 N] MIN
 - D. INNER CONTACT RETENTION FORCE: 1.5 LB [7 N] MIN
 - E. TEMPERATURE RANGE: -65° C TO 165° C
4. PACKAGING:
 - A. QUANTITY: SINGLE PACK
 - B. MARKING:
 - AMPHENOL
 - SMP-MSSB-PCT-1
 - DATE CODE
 - QTY

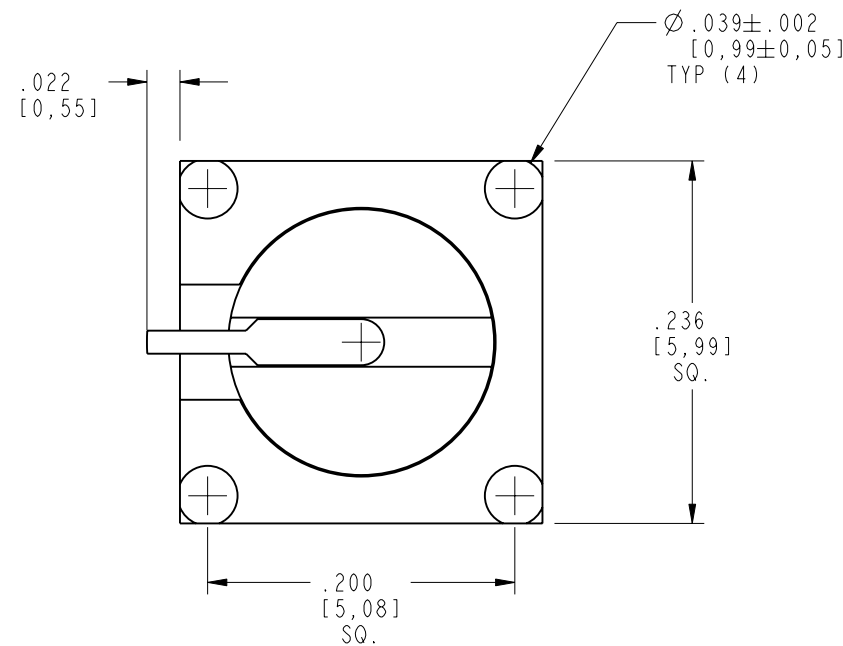
SMP-MSSB-PCT-1		REVISIONS			
DRAWING NO.	REV	DESCRIPTION	DATE	ECO	APPR
THIRD ANGLE PROJ.	A	RELEASE TO MFG.	8/31/06	46217	HP



SCALE 4.000



RECOMMENDED PCB PAD LAYOUT



CUSTOMER OUTLINE DRAWING

ALL OTHER SHEETS ARE FOR INTERNAL USE ONLY

UNLESS OTHERWISE SPECIFIED, DIMENSIONS ARE IN INCHES AND TOLERANCES ARE: 2 PLACE DECIMAL 3 PLACE DECIMAL ANGLES ±.015 (0,381 mm) ±.005 (0,127 mm) ± 1°	MATERIAL	DRAWN	DATE	TITLE SMP JACK, PIN CONTACT PCB RECEPTACLE SMOOTH BORE		Amphenol RF Danbury, CT, USA Tainan, Taiwan Shenzhen, China www.amphenolrf.com	
		H. PARIKH	10-Aug-06				
NOTICE - These drawings, specifications, or other data (1) are, and remain the property of Amphenol Corp. (2) must be returned upon request; and (3) are confidential and not to be disclosed to any person other than those to whom they are given by Amphenol Corp. The furnishing of these drawings, specifications, or other data by Amphenol Corp., or to any other person to anyone for any purpose is not to be regarded by implication or otherwise in any manner licensing, granting rights or permitting such holder or any other person to manufacture, use or sell any product, process or design, patented or otherwise, that may in any way be related to or disclosed by said drawings, specifications, or other data.	REFERENCE	ENGINEER	DATE	SCALE: 8.0:1		SHEET 1 OF 2	
	EAR #283	H. PARIKH	10-Aug-06				
		APPROVED	DATE	CODE ID	DWG SIZE	DRAWING NO.	REV
		O. BARTHELMES	8/16/06	74868	B	SMP-MSSB-PCT-1	A
	CAD FILE	SMP-MSSB-PCT-1					