

heavy|mate - C146 M Socket module (for turned 3.6 mm contacts)

Part No. C146 B03 801 E8

Series Heavy duty connectors heavy|mate - C 146

Subseries Heavy duty connector heavy|mate - C146 M

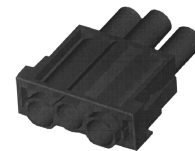


Abbildung stellvertretend für alle verfügbaren Polzahlen.

COMMON CHARACTERISTICS		
No. of contacts		3
ELECTRICAL CHARACTERISTICS		
Rated voltage	DIN EN 60664-1 / IEC 60664-1	1000V
Rated impulse voltage	DIN EN 60664-1 / IEC 60664-1	8000V
Rated current at 40°C		50 A
Voltage proof	DIN EN 60512-2, Test 4a / IEC 60512-2, Test 4a	5.700 V
Installation category	DIN EN 60664-1 / IEC 60664-1	III
Insulation group	DIN EN 60664-1 / IEC 60664-1	II
Insulation resistance	DIN EN 60512-2, Test 3a / IEC 60512-2, Test 3a	≥ 10 ¹²
Contact resistance	DIN EN 60512-2, Test 2a / IEC 60512-2 Test 2a	≤ 1 m
Clearance		> 14 mm
Creepage		> 14 mm
Current carrying capacity	DIN EN 60512-3, Test 5b / IEC 60512-2 Test 5b	see derating curves
Pollution degree	DIN EN 60664-1 / IEC 60664-1	3
CLIMATICAL CHARACTERISTICS		
Climatic category	DIN EN 60068-1 / IEC 60068-1	40 / 125 / 21
Upper temperature		+ 125 °C / 1000 h
Lower temperatur		- 40 °C / 16 h
MECHANICAL CHARACTERISTICS		
IP degree of protection	DIN EN 60529 / IEC 60529	IP20 unmated
Insertion and withdrawal force	DIN EN 60512-13-2, Test 13b / IEC 60512-13-2, Test 13b	20-30 N
Mechanical lifetime		≥ 500 mating cycles
MATERIALS		
Contacts		Cu-alloy
Insert		PA 6.6
Colour		black
Contact plating		silver plated
FURTHER CHARACTERISTICS		
Termination		crimp
Wire gauge		1,5 - 10 mm ²
Flammability	UL 94	V-0

heavy|mate - C146 M Socket module (for turned 3.6 mm contacts)

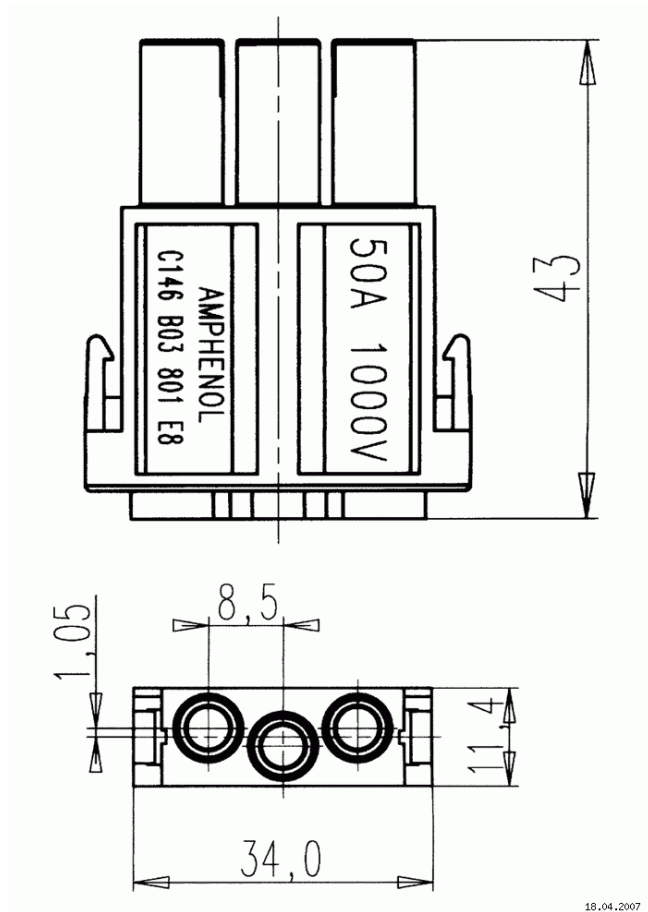
Part No. C146 B03 801 E8

Series Heavy duty connectors heavy|mate - C 146

Subseries Heavy duty connector heavy|mate - C146 M



Abbildung stellvertretend für alle verfügbaren Polzahlen.



Maßzeichnung Dimensions in mm (Inch)

18.04.2007