

CONTACT ORIENTATION ON ROLL

NOTES : (UNLESS OTHERWISE SPECIFIED)

1. MATERIAL :

- 1.1. CONTACT BODY : COPPER ALLOY.
- 1.2. OUTER SPRING : STAINLESS STEEL.

2. SPECIFICATIONS :

- 2.1 CURRENT RATING : 5A MAX.
- 2.2 TERMINATION TYPE : CRIMPING.
- 2.3 WIRE RANGE : 24~26AWG.
- 2.4 WIRE INSULATION DIA(MAX) : Ø2.6mm.

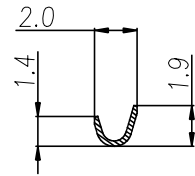
3. ROHS COMPLIANT.

4. ALL DIMENSIONS ARE FOR REFERENCE USE ONLY.

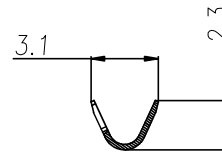
5. AVAILABLE TOOLS :

- 5.1 HAND CRIMPER : MFX-3954.
- 5.2 CRIMP APPLICATOR : MFX-3957.
- 5.3 EXTRACTION TOOL : QXRT20.

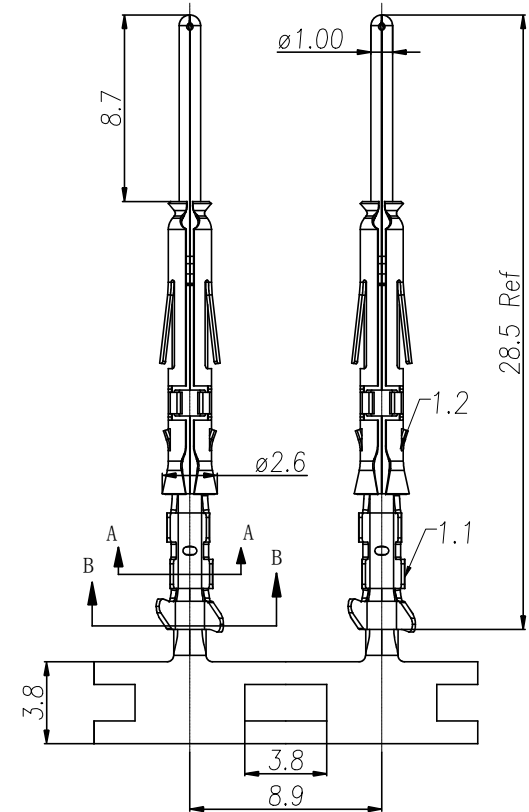
P/N	CONTACT PLATING(MATING AREA)
SP24W1T	TIN PLATING OVER NICKEL.
SP24W1F	GOLD FLASH PLATING OVER NICKEL.
SP24W1G10	10µ" GOLD PLATING OVER NICKEL.
SP24W1G15	15µ" GOLD PLATING OVER NICKEL.
SP24W1G30	30µ" GOLD PLATING OVER NICKEL.



SECTION A-A



SECTION B-B



REVISIONS					
REV	ECO	DESCRIPTION	DATE	BY	APPR
B1	-	RELEASED DRAWING	JAN-18-2014	ARROW	TOMMY

QUANTITY	PART NUMBER	DESCRIPTION	ITEM
MATERIALS LIST			
<small>UNLESS OTHERWISE SPECIFIED</small> 1) All dimensions are in metric(mm). 2) Tolerances are as follows: 1 PL DEC ±0.30 Fractions ±1/64 2 PL DEC ±0.15 Angles ±1° 3 PL DEC ±0.08 3) Note reference =		SIGNATURES DRAWN: ARROW CHECKED: ENGINEER: APPROVAL:	DATE JAN-17-2014
<small>MATERIAL SPECIFICATIONS:</small> CUSTOMER:		 Sine Systems - www.amphenol-sine.com 44724 Morley Drive Clinton Township, MI 48036	
<small>PROCESS SPECIFICATIONS:</small> NEXT ASSY:		ECO-MATE, PIN CONTACT, STAMPED, 24-26AWG, SIZE 20	
<small>THIS DRAWING IS SUPPLIED FOR INFORMATION ONLY. DESIGN FEATURES, SPECIFICATIONS AND PERFORMANCE DATA SHOWN HEREON ARE THE PROPERTY OF THE AMPHENOL CORPORATION. NO RIGHTS OF REPRODUCTION ARE IMPLIED. ALL DIMENSIONS ARE SUBJECT TO NORMAL MANUFACTURING VARIATIONS.</small>		SIZE: B C- SCALE: NONE	DWG NO.: SP24W1XX REVISION: B1 SHEET 1 OF 1

TITLE: ECO-MATE,PIN CONTACT, STAMPED,24-26AWG, SIZE 20
 DWG NO.: SP24W1XX
 REV: B1
 SH: 1
 OF: 1