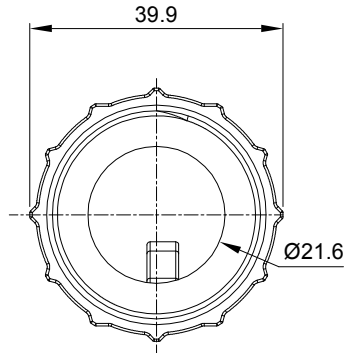
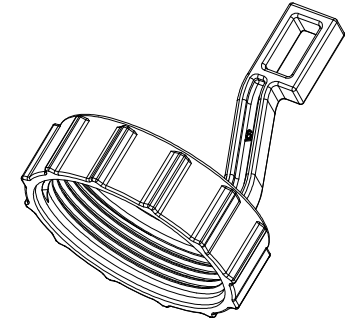
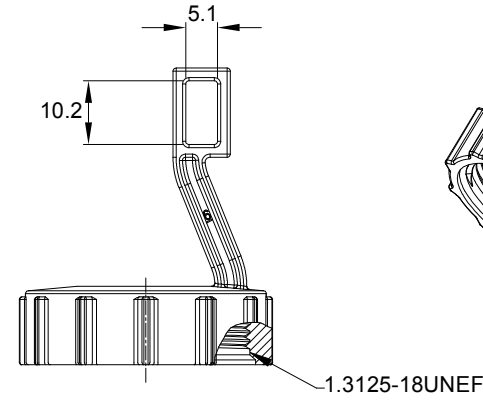
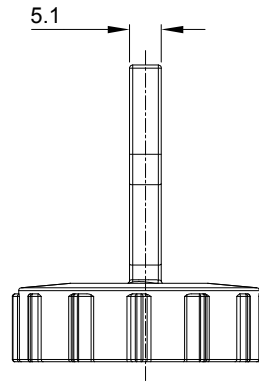
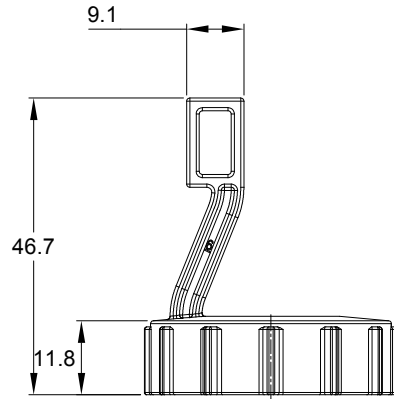


REVISIONS					
REV	ECO	DESCRIPTION	DATE	BY	APPR
A1	-	RELEASE NEW DRAWING	15JUN18	RIMON	TOMMY
A2	C0964S	INCREASE ROUND CORNER OF ARM, ADD COLOURS AND CHANGE THE MATERIAL.	19DEC18	PETER	TOMMY



NOTES: UNLESS OTHERWISE SPECIFIED

1. MATERIAL: THERMOPLASTIC; COLOR: GREY
2. COMPATIBLE WITH AHD 6 POSITION.
3. RoHS COMPLIANT.
4. ALL DIMENSIONS ARE FOR REFERENCE USE ONLY.

TITLE: STRAIN RELIEF AHD 6 PIN TY-RAP
 DWG NO.: AHD18-006
 REV: A2
 SH: 1
 OF: 1

AHD18-006		DESCRIPTION		ITEM
PART NUMBER				
QUANTITY	MATERIALS LIST			
UNLESS OTHERWISE SPECIFIED:		SIGNATURES	DATE	<p>Amphenol</p> <p>Sine Systems - www.amphenol-sine.com 44724 Morley Drive Clinton Township, MI 48036</p> <p>STRAIN RELIEF AHD 6 PIN TY-RAP</p>
1) All dimensions are in metric(mm).		DRAWN: PETER	19DEC18	
2) Tolerances are as follows:		CHECKED: ORIONLI	19DEC18	
1 PL DEC ±0.30 Fractions ±1/64		ENGINEER:		
2 PL DEC ±0.15 Angles ±1°		APPROVAL: TOMMY.XIE	19DEC18	
3) Note reference =		CUSTOMER:		
MATERIAL SPECIFICATIONS:	THIS DRAWING IS SUPPLIED FOR INFORMATION ONLY. DESIGN FEATURES, SPECIFICATIONS AND PERFORMANCE DATA SHOWN HEREON ARE THE PROPERTY OF THE AMPHENOL CORPORATION. NO RIGHTS OF REPRODUCTION ARE IMPLIED. ALL DIMENSIONS ARE SUBJECT TO NORMAL MANUFACTURING VARIATIONS.			
PROCESS SPECIFICATIONS:	SIZE	TYPE	DWG NO:	REVISION
NEXT ASSY:	B	C-	AHD18-006	A2
	SCALE: NONE		SHEET 1 OF 1	