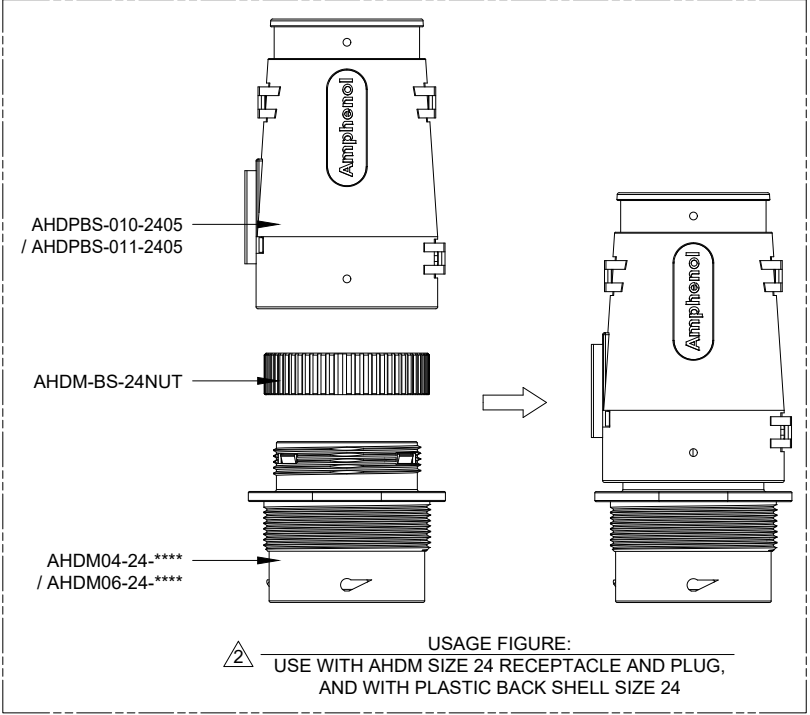
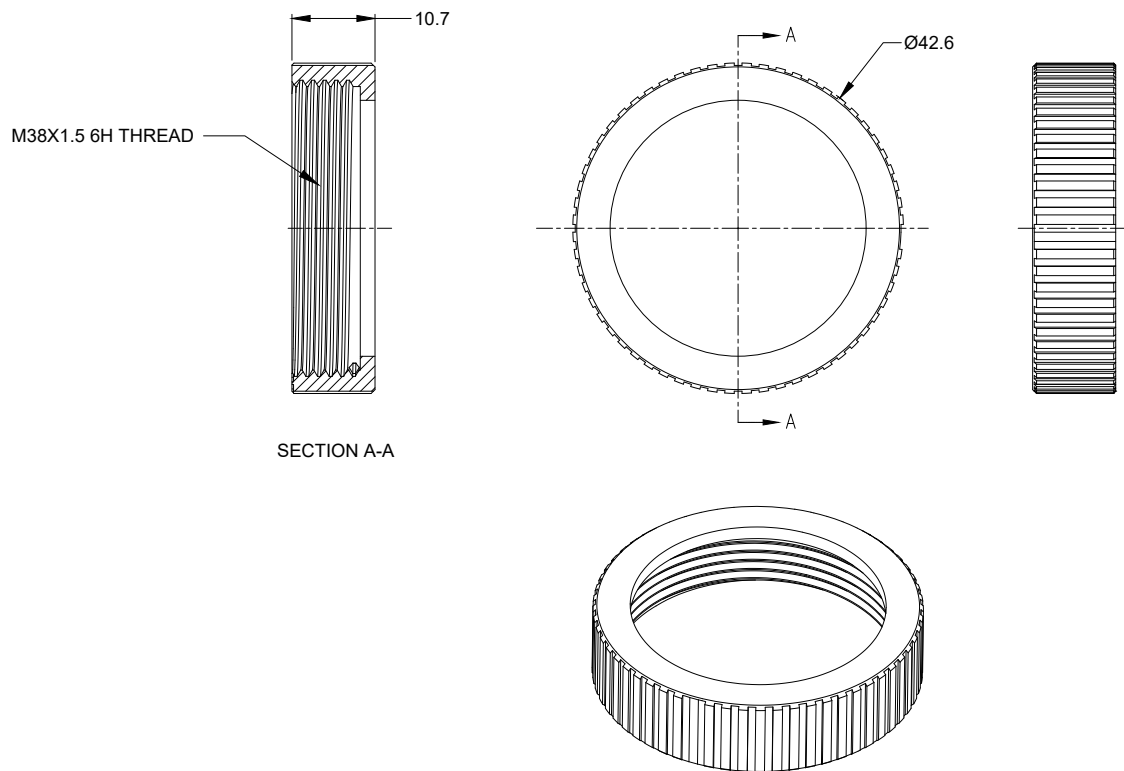


REVISIONS					
REV	ECO	DESCRIPTION	DATE	BY	APPR
A1	--	RELEASE NEW DRAWING	26/SEP/18	ROOKIE	TOMMY



NOTES: UNLESS OTHERWISE SPECIFIED

1. MATERIAL: THERMOPLSTIC.

**△** USAGE:  
 USE WITH AHDM SERIES SIZE 24 RECEPTACLE / PLUG  
 (AHDM04-24-\*\*\*\* / AHDM06-24-\*\*\*\*, (\* = ALL MODIFICATION)),  
 AND WITH PLASTIC BACK SHELL SIZE 24  
 (AHDPBS-010-2405 / AHDPBS-011-2405).  
 MOUNTING TORQUE IS 7.4-8.4 N.M.

3. RoHS COMPLIANT.

4. ALL DIMENSIONS ARE FOR REFERENCE USE ONLY.

AHDM-BS-24NUT		DESCRIPTION		ITEM
QUANTITY	PART NUMBER			
<b>MATERIALS LIST</b>				
UNLESS OTHERWISE SPECIFIED: 1) All dimensions are in metric(mm). 2) Tolerances are as follows: 1 PL DEC ±0.30   Fractions ±1/64 2 PL DEC ±0.15   Angles ±1° 3 PL DEC ±0.08 3) Note reference = <b>△</b>		SIGNATURES		DATE
MATERIAL SPECIFICATIONS:		DRAWN: ROOKIE		26/SEP/18
PROCESS SPECIFICATIONS:		CHECKED: ORION		26/SEP/18
NEXT ASSY:		ENGINEER:		
		APPROVAL: TOMMY		26/SEP/18
		CUSTOMER:		
		THIS DRAWING IS SUPPLIED FOR INFORMATION ONLY. DESIGN FEATURES, SPECIFICATIONS AND PERFORMANCE DATA SHOWN HEREON ARE THE PROPERTY OF THE AMPHENOL CORPORATION. NO RIGHTS OF REPRODUCTION ARE IMPLIED. ALL DIMENSIONS ARE SUBJECT TO NORMAL MANUFACTURING VARIATIONS.		
		<div style="text-align: center;"> <p>Sine Systems - www.amphenol-sine.com            44724 Morley Drive            Clinton Township, MI 48036</p> </div>		
		ADAPTER FOR TUBE BACKSHELL, AHDM, SIZE 24		
		SIZE: <b>B C-</b>	DWG NO: <b>AHDM-BS-24NUT</b>	REVISION: <b>A1</b>
		SCALE: <b>NONE</b>	SHEET 1 OF 1	

TITLE: ADAPTER FOR TUBE BACKSHELL, AHDM, SIZE 24  
 DWG NO: AHDM-BS-24NUT  
 REV: A1  
 SH: 1  
 OF: 1