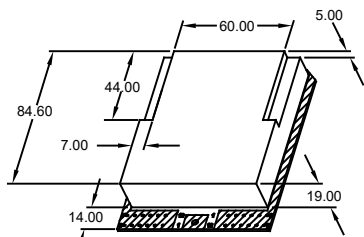
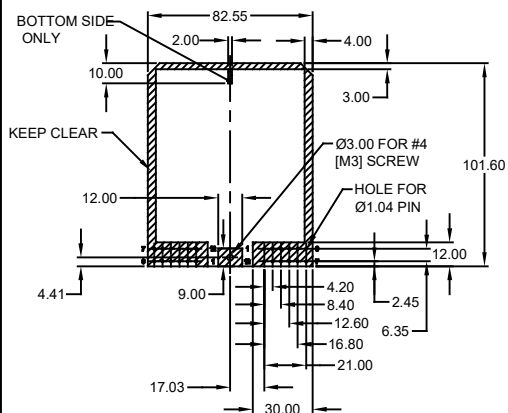
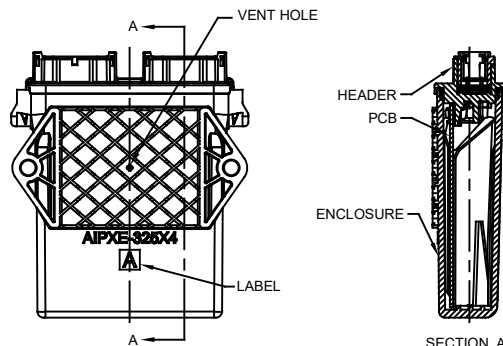
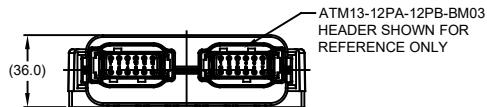
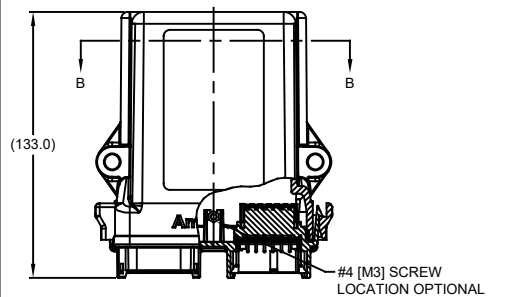
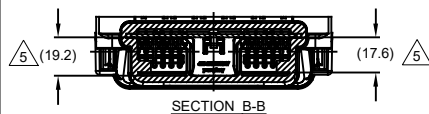


CIRCUIT BOARD HOLD LOCATIONS
AND KEEP CLEAR AREAS FOR
ATM13-12PX-12PX-BM01
ATM13-12PX-12PX-BM03
ALL DIMENSIONS REFERENCE
TOP VIEW



THREE DIMENSIONAL SPACE LIMIT
APPROXIMATE INTERNAL SPACE
FOR COMPONENT SPACE LAYOUT
MAX. COMPONENT HEIGHT UNDER BOARD 2.00 mm.

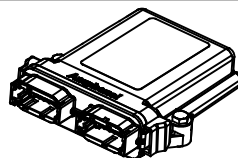
ASSEMBLED HEADER SHOWN FOR REFERENCE



NOTES: UNLESS OTHERWISE SPECIFIED

- MATERIAL: THERMOPLASTIC, BLACK
- THIS ENCLOSURE MATES WITH ATM13-12PX-12PX-BM0* HEADER (X= A,B,C,D KEYS, * = ALL MODIFICATIONS)
- RoHS COMPLIANT
- ALL DIMENSIONS ARE FOR REFERENCE USE ONLY.

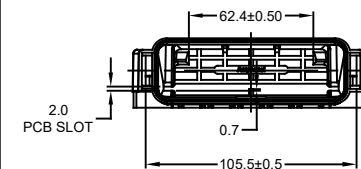
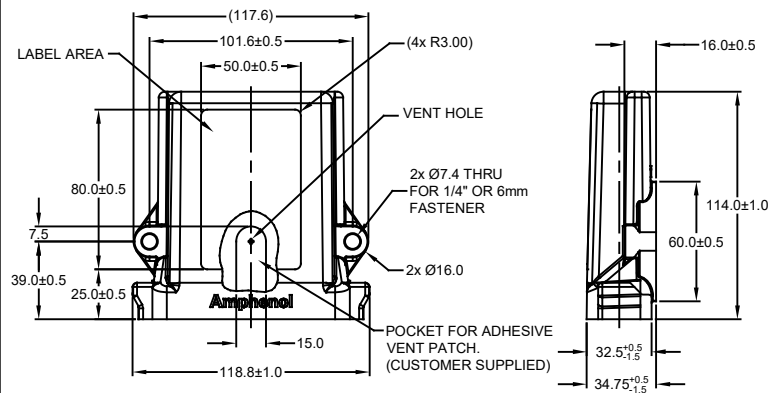
△ MAXIMUM COMPONENT HEIGHT DEPENDS ON LOCATION DUE TO PART DRAFT AND RIBS.



3D VIEW
ATM13-12PX-12PX-BM01 AND
ATM13-12PX-12PX-BM03 HEADER AND MOUNTING
HARDWARE SHOWN FOR REFERENCE

REVISIONS

REV	ECO	DESCRIPTION	DATE	BY	APPR
A1	-	RELEASE NEW DRAWING	06NOV18	SULLEN	TOMMY
A2	-	UPDATED DRAWING	18FEB19	SULLEN	TOMMY
A3	-	ADD AMPHENOL LOGO	08APR19	SULLEN	TOMMY



PART NUMBER CHART

LABEL	VENT HOLE	PART NUMBER
A	WITH VENT HOLES	AIPXE-325X4A
B	WITHOUT VENT HOLES	AIPXE-325X4B

SEE PART NUMBER CHART

QUANTITY	PART NUMBER	DESCRIPTION	ITEM
----------	-------------	-------------	------

UNLESS OTHERWISE SPECIFIED		SIGNATURES		DATE
1) All dimensions are in metric (mm).		DRAWN: SULEN ZHANG		08APR19
2) Tolerances are as follows:		CHECKED: ORION LI		08APR19
1 PL DEC ±0.30		ENGINEER:		
2 PL DEC ±0.15		APPROVAL: TOMMY XIE		08APR19
3 PL DEC ±0.08		CUSTOMER:		
3) Note reference = △		THIS DRAWING IS SUPPLIED FOR INFORMATION ONLY. DESIGN FEATURES, SPECIFICATIONS AND PERFORMANCE DATA SHOWN HEREON ARE THE PROPERTY OF THE AMPHENOL CORPORATION. NO RIGHTS OF REPRODUCTION ARE IMPLIED. ALL DIMENSIONS ARE SUBJECT TO NORMAL MANUFACTURING VARIATIONS.		
MATERIAL SPECIFICATIONS:		SIZE		TYPE
PROCESS SPECIFICATIONS:		B C		DWG NO.
NEXT ASSY:		SCALE NONE		AIPXE-325X4x
		REVISION		A3

Amphenol

Sine Systems - www.amphenol-sine.com
44724 Morley Drive
Clinton Township, MI 48036

ARMOR IPX PCB ENCLOSURE,
SHOWN WITH 24 PIN HEADER

SIZE	TYPE	DWG NO.	REVISION
B C		AIPXE-325X4x	A3
SCALE	NONE	SHEET 1	OF 1

TITLE: ARMOR IPX PCB ENCLOSURE SHOWN WITH 24 PIN HEADER

DWG NO:

AIPXE-325X4x

REV: A3

OF: 1