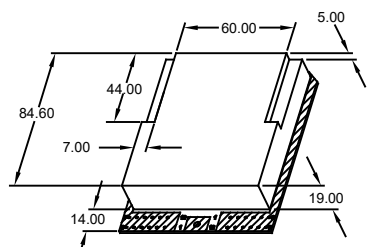
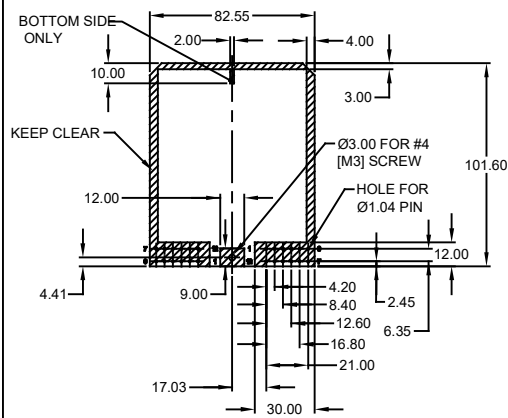
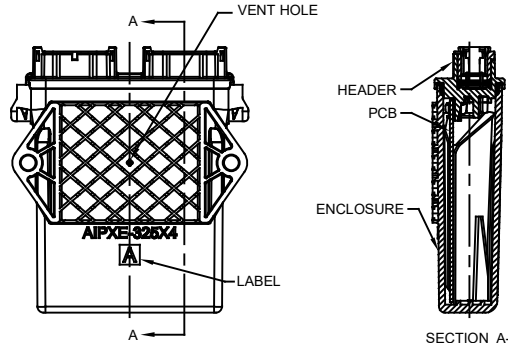
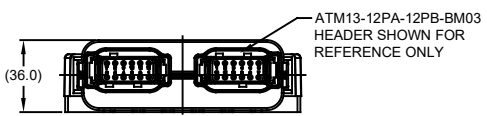
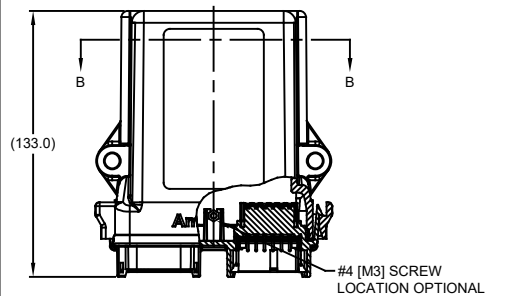
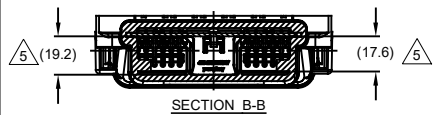


CIRCUIT BOARD HOLD LOCATIONS  
AND KEEP CLEAR AREAS FOR  
ATM13-12PX-12PX-BM01  
ATM13-12PX-12PX-BM03  
ALL DIMENSIONS REFERENCE  
TOP VIEW



THREE DIMENSIONAL SPACE LIMIT  
APPROXIMATE INTERNAL SPACE  
FOR COMPONENT SPACE LAYOUT  
MAX. COMPONENT HEIGHT UNDER BOARD 2.00 mm.

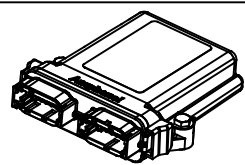
ASSEMBLED HEADER SHOWN FOR REFERENCE



NOTES: UNLESS OTHERWISE SPECIFIED

- MATERIAL: NATURAL POLYCARBONATE
- THIS ENCLOSURE MATES WITH ATM13-12PX-12PX-BM0\* HEADER (X= A,B,C,D KEYS, \* = ALL MODIFICATIONS)
- RoHS COMPLIANT
- ALL DIMENSIONS ARE FOR REFERENCE USE ONLY.

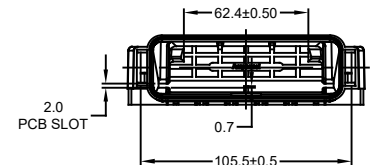
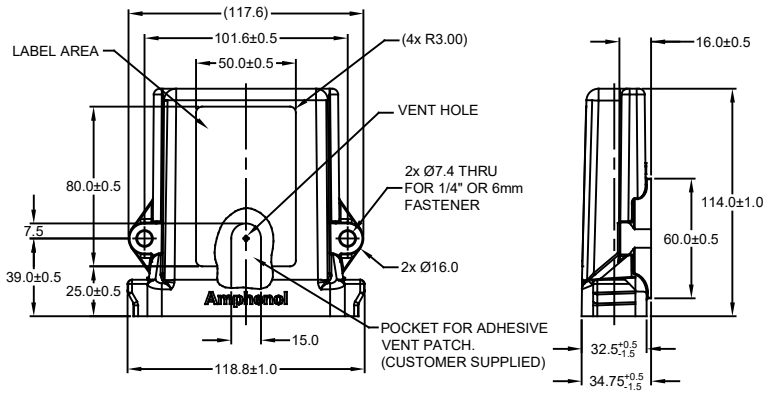
△ MAXIMUM COMPONENT HEIGHT DEPENDS ON LOCATION DUE TO PART DRAFT AND RIBS.



3D VIEW  
ATM13-12PX-12PX-BM01 AND  
ATM13-12PX-12PX-BM03 HEADER AND MOUNTING  
HARDWARE SHOWN FOR REFERENCE

REVISIONS

REV	ECO	DESCRIPTION	DATE	BY	APPR
A1	-	RELEASE NEW DRAWING	08APR19	SULLEN	TOMMY



PART NUMBER CHART

LABEL	VENT HOLE	PART NUMBER
A	WITH VENT HOLES	AIPXE-325X4A-E017
B	WITHOUT VENT HOLES	AIPXE-325X4B-E017

QUANTITY	SEE PART NUMBER CHART	PART NUMBER	DESCRIPTION	ITEM
----------	-----------------------	-------------	-------------	------

UNLESS OTHERWISE SPECIFIED		
1) All dimensions are in metric (mm).		
2) Tolerances are as follows:		
1 PL DEC ±0.30	Fractions ±1/64	Angles ±1°
2 PL DEC ±0.15		
3 PL DEC ±0.08		
3) Note reference = △		
SIGNATURES	DATE	
DRAWN: SULLENZHANG	08APR19	
CHECKED: ORION LI	08APR19	
ENGINEER:		
APPROVAL: TOMMY XIE	08APR19	
CUSTOMER:		
THIS DRAWING IS SUPPLIED FOR INFORMATION ONLY. DESIGN FEATURES, SPECIFICATIONS AND PERFORMANCE DATA SHOWN HEREON ARE THE PROPERTY OF THE AMPHENOL CORPORATION. NO RIGHTS OF REPRODUCTION ARE IMPLIED. ALL DIMENSIONS ARE SUBJECT TO NORMAL MANUFACTURING VARIATIONS.		
PROCESS SPECIFICATIONS:		
NEXT ASSY:		

**Amphenol**

Sine Systems - www.amphenol-sine.com  
44724 Morley Drive  
Clinton Township, MI 48036

**ARMOR IPX PCB ENCLOSURE,  
SHOWN WITH 24 PIN HEADER**

SIZE	TYPE	DWG NO.	REVISION
B	C	AIPXE-325X4x-E017	A1
SCALE: NONE		SHEET 1 OF 1	

TITLE: ARMOR IPX PCB ENCLOSURE SHOWN WITH 24 PIN HEADER  
DWG NO: AIPXE-325X4x-E017  
REV: A1  
SH: 1  
OF: 1