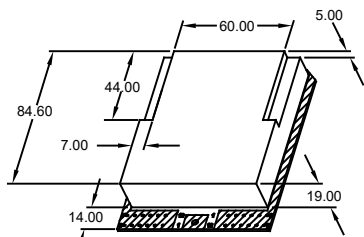
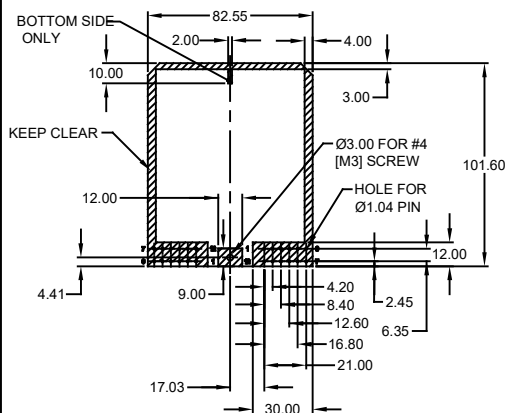
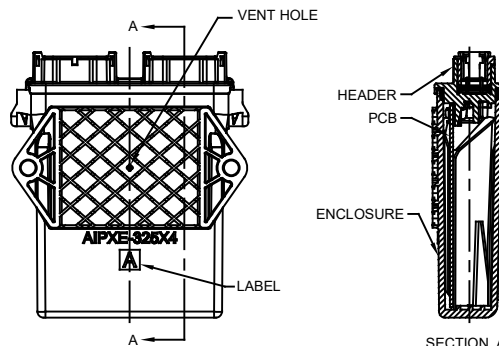
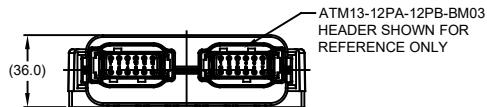
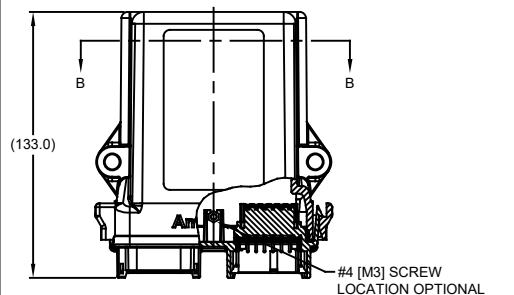
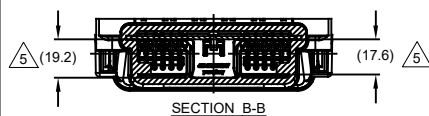


CIRCUIT BOARD HOLD LOCATIONS
AND KEEP CLEAR AREAS FOR
ATM13-12PX-12PX-BM01
ATM13-12PX-12PX-BM03
ALL DIMENSIONS REFERENCE
TOP VIEW



THREE DIMENSIONAL SPACE LIMIT
APPROXIMATE INTERNAL SPACE
FOR COMPONENT SPACE LAYOUT
MAX. COMPONENT HEIGHT UNDER BOARD 2.00 mm.

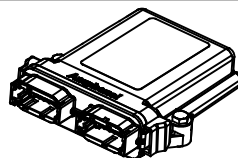
ASSEMBLED HEADER SHOWN FOR REFERENCE



NOTES: UNLESS OTHERWISE SPECIFIED

- MATERIAL: NATURAL ULTEM
- THIS ENCLOSURE MATES WITH ATM13-12PX-12PX-BM0* HEADER (X= A,B,C,D KEYS, * = ALL MODIFICATIONS)
- RoHS COMPLIANT
- ALL DIMENSIONS ARE FOR REFERENCE USE ONLY.

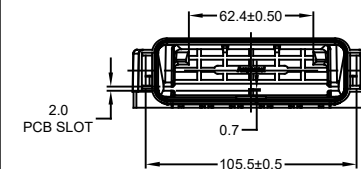
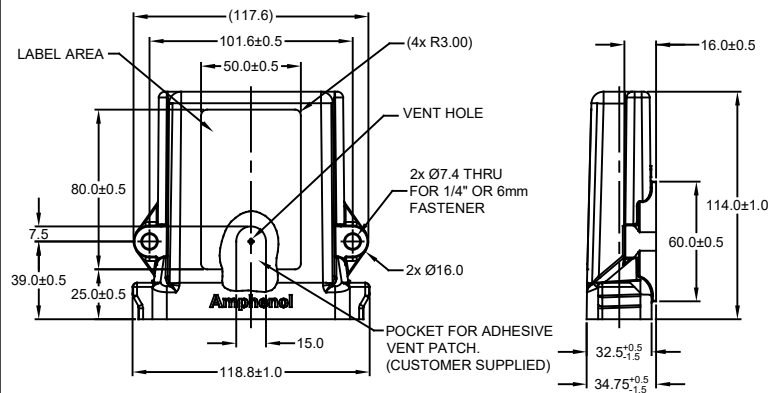
△ MAXIMUM COMPONENT HEIGHT DEPENDS ON LOCATION DUE TO PART DRAFT AND RIBS.



3D VIEW
ATM13-12PX-12PX-BM01 AND
ATM13-12PX-12PX-BM03 HEADER AND MOUNTING
HARDWARE SHOWN FOR REFERENCE

REVISIONS

REV	ECO	DESCRIPTION	DATE	BY	APPR
A1	-	RELEASE NEW DRAWING	06NOV18	SULLEN	TOMMY
A2	-	UPDATED DRAWING	18FEB19	SULLEN	TOMMY
A3	-	ADD AMPHENOL LOGO	08APR19	SULLEN	TOMMY



PART NUMBER CHART

LABEL	VENT HOLE	PART NUMBER
A	WITH VENT HOLES	AIPXE-325X4A-E016
B	WITHOUT VENT HOLES	AIPXE-325X4B-E016

SEE PART NUMBER CHART		DESCRIPTION	ITEM
QUANTITY	PART NUMBER		
MATERIALS LIST			
UNLESS OTHERWISE SPECIFIED: 1) All dimensions are in metric (mm). 2) Tolerances are as follows: 1 PL DEC ±0.30 Fractions ±1/64 2 PL DEC ±0.15 Angles ±1° 3 PL DEC ±0.08		SIGNATURES DATE DRAWN: SULLEN ZHANG 08APR19 CHECKED: ORION LI 08APR19 ENGINEER: APPROVAL: TOMMY XIE 08APR19 CUSTOMER:	
MATERIAL SPECIFICATIONS:		THIS DRAWING IS SUPPLIED FOR INFORMATION ONLY. DESIGN FEATURES, SPECIFICATIONS AND PERFORMANCE DATA SHOWN HEREON ARE THE PROPERTY OF THE AMPHENOL CORPORATION. NO RIGHTS OF REPRODUCTION ARE IMPLIED. ALL DIMENSIONS ARE SUBJECT TO NORMAL MANUFACTURING VARIATIONS.	
PROCESS SPECIFICATIONS:		SCALE NONE	
NEXT ASSY:		SIZE TYPE DWG NO. REVISION B C- AIPXE-325X4x-E016 A3	
		SHEET 1 OF 1	

TITLE: ARMOR IPX PCB ENCLOSURE SHOWN WITH 24 PIN HEADER
DWG NO: AIPXE-325X4x-E016
REV: A3
SH: 1
OF: 1

Amphenol

Sine Systems - www.amphenol-sine.com
44724 Morley Drive
Clinton Township, MI 48036

ARMOR IPX PCB ENCLOSURE,
SHOWN WITH 24 PIN HEADER