

REVISIONS					
REV	ECO	DESCRIPTION	DATE	BY	APPR
A1	-	RELEASE NEW DRAWING	11APR18	ROOKIE	TOMMY
A2	-	REVISED DESCRIPTION	12JUN19	JAH	DH

NOTES: UNLESS OTHERWISE SPECIFIED

SEE SHEET 2 FOR KEY ARRANGEMENTS AND COLORS.

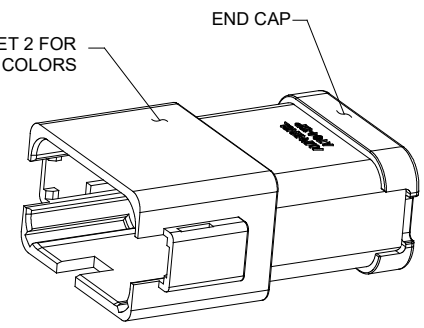
2. MATERIAL:  
HOUSING: THERMOPLASTIC  
SEAL: SILICONE RUBBER  
CONTACT: COPPER ALLOY
3. MODIFICATIONS: 12 PIN BUSBAR WITH GOLD PLATED
4. SPECIFICATIONS:
  - 4.1 CURRENT RATING: 78 AMPS MAXIMUM FOR THE 12 PIN BUSBAR
  - 4.2 OPERATING TEMPERATURE: -55°C TO +125°C.
  - 4.3 DIELECTRIC WITHSTANDING VOLTAGE: LESS THAN 2 MILLIAMPS CURRENT LEAKAGE @ 1500 VOLTS AC.
  - 4.4 INSULATION RESISTANCE: 1000 MEGOHM MIN @ 25°C.
  - 4.5 MOISTURE RESISTANCE: IP67 ( MATED CONDITION ).
  - 4.6 MATING CYCLE DURABILITY: 100 CYCLES
  - 4.7 RoHS COMPLIANT

5. MATING PART: AT06-12SX\* PLUG  
(X=A,B,C,D KEYS \* = AVAILABLE MODIFICATIONS )

ORIENTATION OF "Amphenol" AND "-P016" TO BE OPTIONAL

8. ALL DIMENSIONS ARE FOR REFERENCE USE ONLY.

REFER TO SHEET 2 FOR AVAILABLE CONNECTOR COLORS

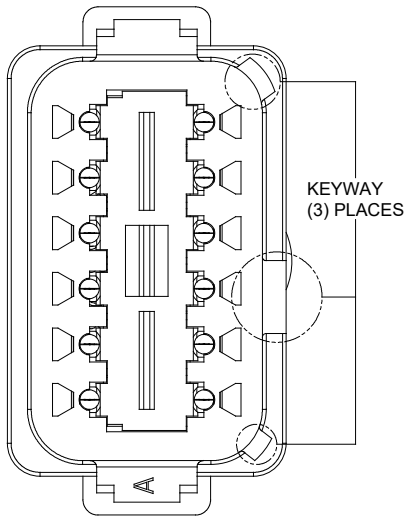


SEE SHEET 2		REF: DT04-12PA-P016 & DT04-12PB-P016		ITEM
PART NUMBER		DESCRIPTION		ITEM
QUANTITY		MATERIALS LIST		
UNLESS OTHERWISE SPECIFIED		SIGNATURES		DATE
1) All dimensions are in metric (mm).		DRAWN: ROOKIE		11APR18
2) Tolerances are as follows:		CHECKED: ORION		11APR18
1 PL DEC ±0.30		ENGINEER:		
2 PL DEC ±0.15		APPROVAL: TOMMY		11APR18
3 PL DEC ±0.08		CUSTOMER:		
3) Note reference = X		THIS DRAWING IS SUPPLIED FOR INFORMATION ONLY. DESIGN FEATURES, SPECIFICATIONS AND PERFORMANCE DATA SHOWN HEREON ARE THE PROPERTY OF THE AMPHENOL CORPORATION. NO RIGHTS OF REPRODUCTION ARE IMPLIED. ALL DIMENSIONS ARE SUBJECT TO NORMAL MANUFACTURING VARIATIONS.		
MATERIAL SPECIFICATIONS:		SIZE		TYPE
PROCESS SPECIFICATIONS:		B C-		DWG NO.
NEXT ASSY:		SCALE: NONE		REVISION
		A2		
		AT04-12PX-P016		
		SHEET 1 OF 2		

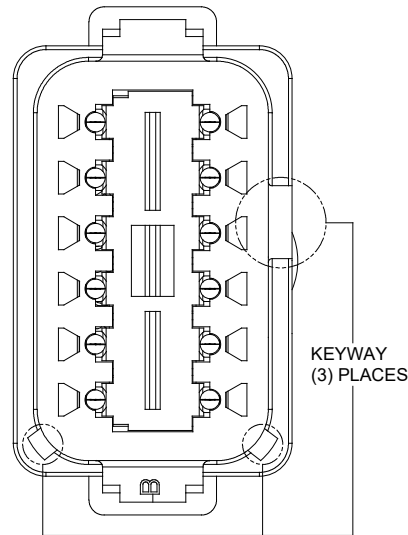
TITLE: HYPERBUSS AT 12WAY RECP 12 PIN BUSBAR GOLD-PLATED  
DWG NO: AT04-12PX-P016  
REV: A2  
SH: 1  
OF: 2

REVISIONS					
REV	ECO	DESCRIPTION	DATE	BY	APPR
A1	-	RELEASE NEW DRAWING	11APR18	ROOKIE	TOMMY
A2	-	REVISED DESCRIPTION	12JUN19	JAH	DH

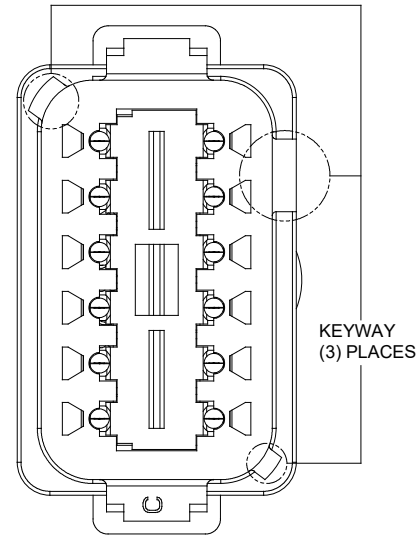
P/N AT04-12PA-P016  
KEY-A CONFIGURATION  
STANDARD COLOR: GREY



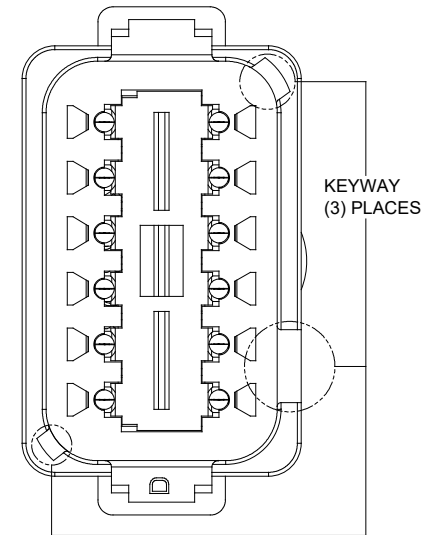
P/N AT04-12PB-P016  
KEY-B CONFIGURATION  
STANDARD COLOR: BLACK



P/N AT04-12PC-P016  
KEY-C CONFIGURATION  
STANDARD COLOR: GREEN



P/N AT04-12PD-P016  
KEY-D CONFIGURATION  
STANDARD COLOR: BROWN



TITLE: HYPERBUSS AT 12WAY RECP 12 PIN BUSBAR GOLD-PLATED  
DWG NO: AT04-12PX-P016  
REV: A2  
SH: 2  
OF: 2

QUANTITY	PART NUMBER	DESCRIPTION	ITEM												
<b>MATERIALS LIST</b>															
<small>UNLESS OTHERWISE SPECIFIED</small> 1) All dimensions are in metric(mm). 2) Tolerances are as follows: 1 PL DEC ±0.30 2 PL DEC ±0.15 3 PL DEC ±0.08 3) Note reference =		<table border="1"> <thead> <tr> <th>SIGNATURES</th> <th>DATE</th> </tr> </thead> <tbody> <tr> <td>DRAWN: ROOKIE</td> <td>11APR18</td> </tr> <tr> <td>CHECKED: ORION</td> <td>11APR18</td> </tr> <tr> <td>ENGINEER:</td> <td></td> </tr> <tr> <td>APPROVAL: TOMMY</td> <td>11APR18</td> </tr> <tr> <td>CUSTOMER:</td> <td></td> </tr> </tbody> </table>	SIGNATURES	DATE	DRAWN: ROOKIE	11APR18	CHECKED: ORION	11APR18	ENGINEER:		APPROVAL: TOMMY	11APR18	CUSTOMER:		<p style="text-align: center;"><b>Amphenol</b></p> <p style="text-align: center;">Sine Systems - www.amphenol-sine.com 44724 Morley Drive Clinton Township, MI 48036</p>
SIGNATURES	DATE														
DRAWN: ROOKIE	11APR18														
CHECKED: ORION	11APR18														
ENGINEER:															
APPROVAL: TOMMY	11APR18														
CUSTOMER:															
<small>MATERIAL SPECIFICATIONS:</small> THIS DRAWING IS SUPPLIED FOR INFORMATION ONLY. DESIGN FEATURES, SPECIFICATIONS AND PERFORMANCE DATA SHOWN HEREON ARE THE PROPERTY OF THE AMPHENOL CORPORATION. NO RIGHTS OF REPRODUCTION ARE IMPLIED. ALL DIMENSIONS ARE SUBJECT TO NORMAL MANUFACTURING VARIATIONS.		HYPERBUSS AT 12WAY RECEPTACLE 12 PIN BUSBAR GOLD-PLATED	<table border="1"> <tr> <td>SIZE</td> <td>TYPE</td> <td>DWG NO:</td> <td>REVISION</td> </tr> <tr> <td>B</td> <td>C-</td> <td>AT04-12PX-P016</td> <td>A2</td> </tr> </table>	SIZE	TYPE	DWG NO:	REVISION	B	C-	AT04-12PX-P016	A2				
SIZE	TYPE	DWG NO:	REVISION												
B	C-	AT04-12PX-P016	A2												
<small>PROCESS SPECIFICATIONS:</small> NEXT ASSY:		SCALE: NONE	SHEET 2 OF 2												