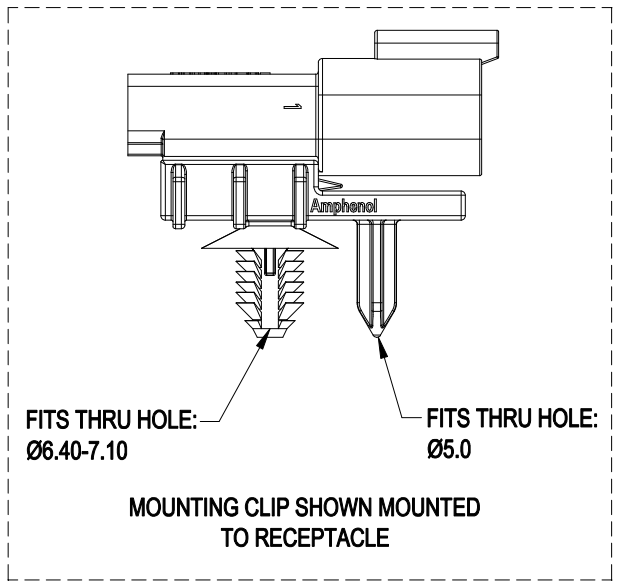
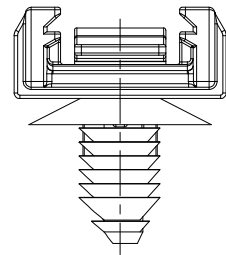
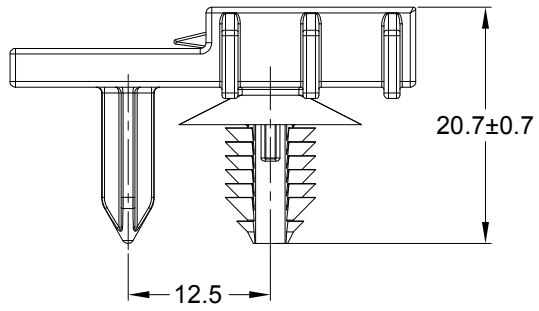
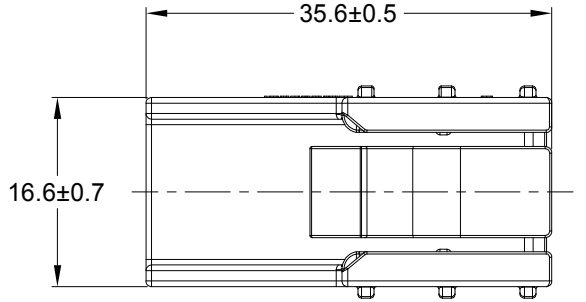


REVISIONS					
REV	ECO	DESCRIPTION	DATE	BY	APPR
A1	-	NEW RELEASE	14/MAR/18	ROOKIE	TOMMY
A2	-	UPDATE DRAWING	13/JAN/20	ROOKIE	TOMMY



NOTES: UNLESS OTHERWISE SPECIFIED

- MATERIAL: THERMOPLASTIC; COLOR: BLACK
- RoHS COMPLIANT
- USE WITH CONNECTORS
 - A.AT04-2P*/3P*/4P*/6P*/12P*
 - B.ATM04-2P*~12P*
 - C.ATP04-2P*/4P*
 - D.ATV04-*
 - E.ATHD04-*

(* = MODIFICATIONS AND/OR COLORS)
- ALL DIMENSIONS ARE FOR REFERENCE USE ONLY.
- RECOMMENDED PANEL THICKNESS: 0.70 - 5.10.
- CONNECTOR REMOVABLE FORCE: 50N Min.

AT11-310-0205		REF:1011-310-0205	
QUANTITY	PART NUMBER	DESCRIPTION	ITEM
MATERIALS LIST			
UNLESS OTHERWISE SPECIFIED 1) All dimensions are in metric(mm). 2) Tolerances are as follows: 1 PL DEC ±0.30 Fractions ±1/64 2 PL DEC ±0.15 Angles ±1° 3 PL DEC ±0.08 3) Note reference =		SIGNATURES DATE DRAWN: ROOKIE 13/JAN/20 CHECKED: ORION 13/JAN/20 ENGINEER: APPROVAL: TOMMY 13/JAN/20 CUSTOMER:	
MATERIAL SPECIFICATIONS:		Amphenol Sine Systems - www.amphenol-sine.com 44724 Morley Drive Clinton Township, MI 48036 MOUNTING CLIP,AT/ATM/ATP/ATV/ATHD,BLK FIR TREE STUD MOUNT	
PROCESS SPECIFICATIONS:			
NEXT ASSY:		THIS DRAWING IS SUPPLIED FOR INFORMATION ONLY. DESIGN FEATURES, SPECIFICATIONS AND PERFORMANCE DATA SHOWN HEREON ARE THE PROPERTY OF THE AMPHENOL CORPORATION. NO RIGHTS OF REPRODUCTION ARE IMPLIED. ALL DIMENSIONS ARE SUBJECT TO NORMAL MANUFACTURING VARIATIONS.	SIZE: A C- SCALE: NONE
		DWG NO: AT11-310-0205	REVISION: A2
		SHEET 1 OF 1	