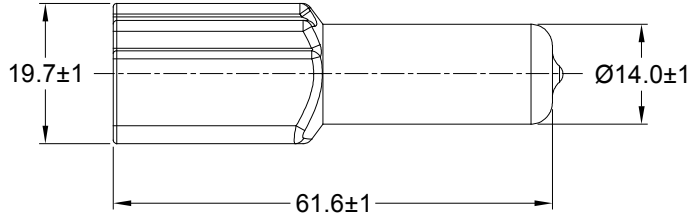
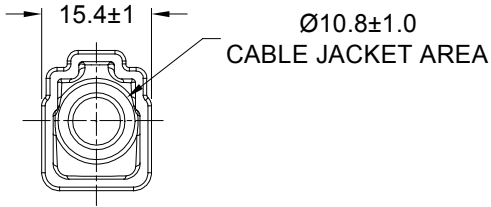
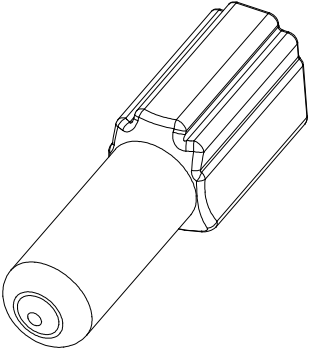


REVISIONS					
REV	ECO	DESCRIPTION	DATE	BY	APPR
A1	-	RELEASE NUMBER	28AUG19	BROOK	TOMMY



PART NUMBER CHART	
COLOR	PART NUMBER
GREY	AT2S-BT
BLACK	AT2S-BT-BK
YELLOW	AT2S-BT-YW

- NOTES: UNLESS OTHERWISE SPECIFIED
- THIS PART IS USED ON AT06-2S PLUG WITH ANY MODIFICATION THAT DOES NOT INCLUDE AN END CAP.
  - TEMPERATURE RATING : -29°C TO +100°C [-20°F TO +212°F]
  - ALL DIMENSIONS ARE FOR REFERENCE USE ONLY.

SEE PART NUMBER CHART		REF: DT2S-BT, DT2S-BT-BK, DT2S-BT-YW		
PART NUMBER		DESCRIPTION		ITEM
QUANTITY	<b>MATERIALS LIST</b>			
<b>UNLESS OTHERWISE SPECIFIED</b> 1) All dimensions are in metric(mm). 2) Tolerances are as follows: 1 PL DEC ±0.30    Fractions ±1/64 2 PL DEC ±0.15    Angles ±1° 3 PL DEC ±0.08 3) Note reference =		<b>SIGNATURES</b> <b>DATE</b> DRAWN: <b>BROOK.DING</b> <b>28AUG19</b> CHECKED: <b>ORION.LI</b> <b>28AUG19</b> ENGINEER: APPROVAL: <b>TOMMY.XIE</b> <b>28AUG19</b> CUSTOMER:		<h1 style="text-align: center;">Amphenol</h1> <p style="text-align: center;">Sine Systems - www.amphenol-sine.com                  44724 Morley Drive                  Clinton Township, MI 48036</p>
MATERIAL SPECIFICATIONS:  <p style="text-align: center;"><b>PVC</b></p>		THIS DRAWING IS SUPPLIED FOR INFORMATION ONLY. DESIGN FEATURES, SPECIFICATIONS AND PERFORMANCE DATA SHOWN HEREON ARE THE PROPERTY OF THE AMPHENOL CORPORATION. NO RIGHTS OF REPRODUCTION ARE IMPLIED. ALL DIMENSIONS ARE SUBJECT TO NORMAL MANUFACTURING VARIATIONS.		
PROCESS SPECIFICATIONS:  NEXT ASSY:		SIZE: <b>A</b> TYPE: <b>C-</b> SCALE: <b>NONE</b>	DWG NO: <b>AT2S-BT-XX</b>	REVISION: <b>A1</b>
			SHEET <b>1</b> OF <b>1</b>	