



# HB HYPERBUSS™ ATV



## ATV Series™ Heavy Duty Bussed Receptacles

Amphenol Sine Systems' **HYPERBUSS™ ATV Series 18 Position Receptacles** are a high-performance, cost-effective solution used in a variety of interconnect applications where a common "bussed" electrical pathway is required: Heavy Duty, Transportation, Marine, Military, Alternative Energy and Agricultural. All **HYPERBUSS™ ATV Receptacles** are intermateable with standard **ATV Series™ Plugs**, as well as industry standard connectors. They are IP67-rated (in mated condition) and offer superior environmental sealing capabilities.

**Buss:** a conductor, or a group of conductors, used for collecting electric power from the incoming feeders and distributes them to the outgoing feeders; a type of electrical junction in which all the incoming and outgoing electrical current meets.

### Key Features

- Size 16 (13A) Contacts
- Integrated latch confirms mating and retention
- Available in A and B keying options
- Available in custom color options
- Rectangular, Thermoplastic Housing
- Included wedgelock confirms contact alignment/retention
- Integrated latch for mating
- Mates with standard ATV Series™ Plugs

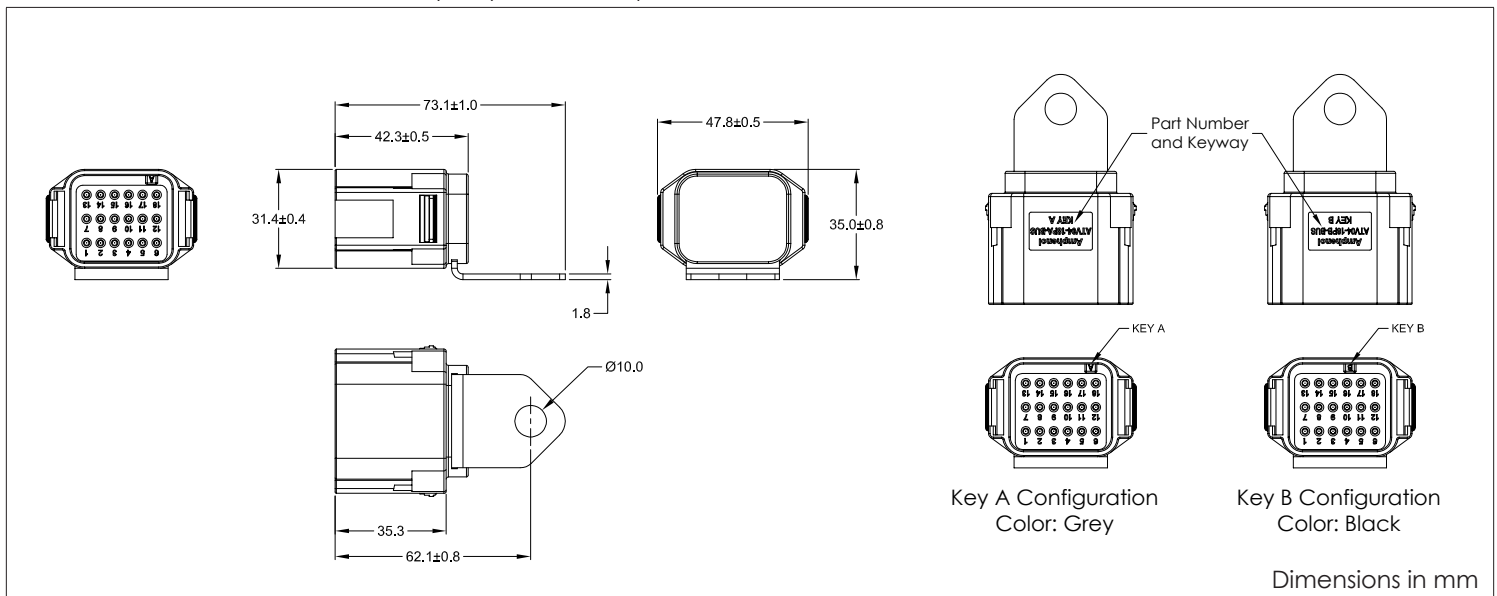
|                         |   |
|-------------------------|---|
| Housings                | Thermoplastic   |
| Contacts                | Copper Alloy  |
| Temperature             | Operating temperature range: -55°C to +125°C at rated current   |
| Dielectric Value        | Meets or exceeds 1500 volts minimum   |
| Drop Test               | Shall not become detached or loosened when placed at 750mm and dropped to concrete eight times.   |
| Shock                   | No latch disengagement or discontinuity shall be the result when subjected to 50 g's in each of three axis (X, Y & Z)   |
| Vibration               | Continued continuity without degradation to mechanical or physical attributes following vibration. (max acceleration 20 g's at Sine sweep of 10-2000Hz)                 |
| Connector Retention     | A mated connector subjected to a pulling force by the exiting wire bundle at 25 lbs. times the number of contacts to a maximum of 100 lbs. applying load for 30 seconds |
| Thermal Shock           | Subjected to 10 cycles at -55°C to +125°C with no cracking, chipping or other damage detrimental to the normal operation of the connector                               |
| Insulation Resistance   | 1000 megohms minimum at 25°C  |
| Mating Cycle Durability | Following 100 cycles of connection engagement and disengagement, degradation either mechanical or electrical is not evident   |
| Contact Millivolt Drop  | Size 16 contacts with 16AWG conductor - 100 mV drop max at 13A test current   |



Your Interconnect Solutions Expert

**HYPERBUSS™ ATV Series 18 Position Heavy Duty Bussed Receptacles and Kits**

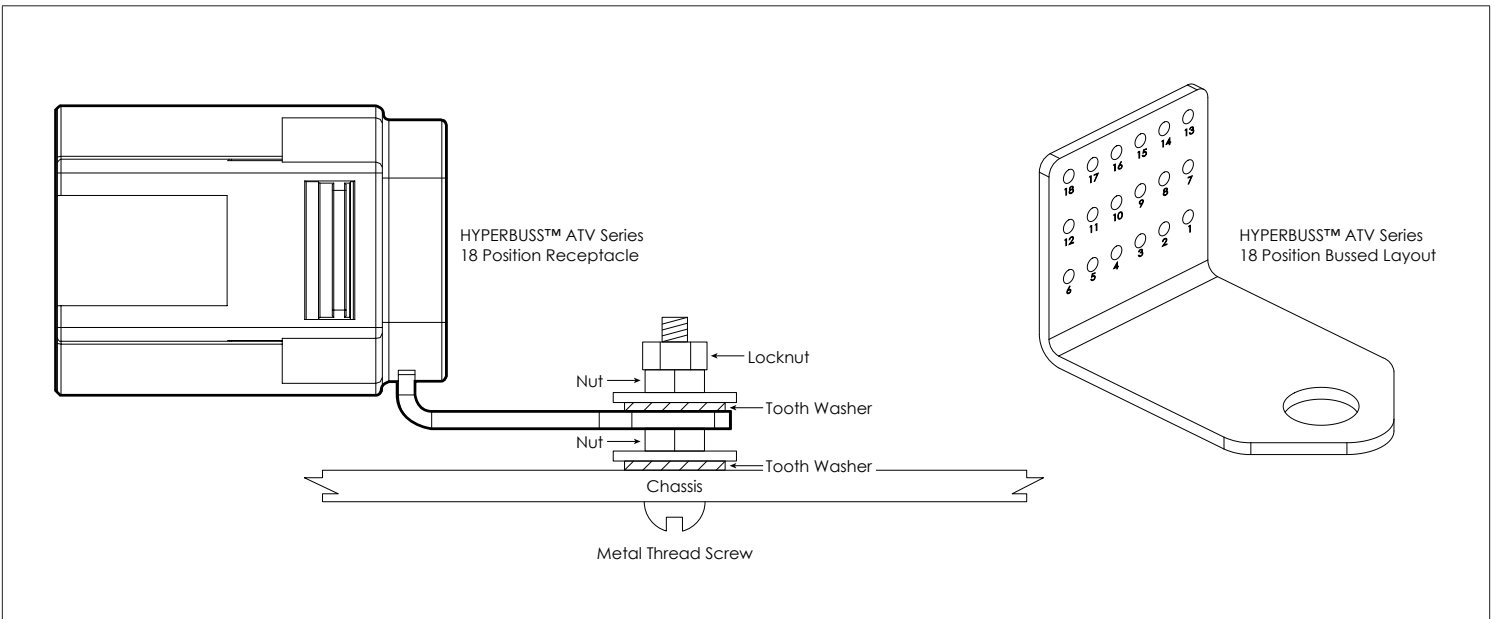
| Image   | Part Number         | Description  |
|---|---------------------|--|
|     | ATV04-18PA-BUS      | HYPERBUSS™ ATV Series, 18 Position, Receptacle, Size 16 Contact, Key A, Grey   |
|   | ATV04-18PB-BUS      | HYPERBUSS™ ATV Series, 18 Position, Receptacle, Size 16 Contact, Key B, Black  |
|     | ATV46-18PSA-BUSCKIT | HYPERBUSS™ ATV Series Kit, 18 Position<br>Contains: (1) HYPERBUSS™ ATV Receptacle/(1)ATV Series™ Plug, (18) Size 16 Contacts, Key A, Grey  |
|     | ATV46-18PSB-BUSCKIT | HYPERBUSS™ ATV Series Kit, 18 Position<br>Contains: (1) HYPERBUSS™ ATV Receptacle/(1)ATV Series™ Plug, (18) Size 16 Contacts, Key A, Black |
|    | ATV06-18SA          | ATV Series™, 18 Position, Plug, Size 16 Contact, Key A, Standard Seal, Grey  |
|   | ATV06-18SB          | ATV Series™, 18 Position, Plug, Size 16 Contact, Key B, Standard Seal, Black   |
|  | AWV-18S             | ATV Series™, Wedgelock For 18 Position Plug, Green   |

**HYPERBUSS™ ATV Series 18 Position Heavy Duty Bussed Receptacle Dimensions**


**HYPERBUSS™ ATV Series Sample Architecture: Plug and Play Battery GROUND/Battery POWER Buss System**



**HYPERBUSS™ ATV Series Sample Architecture: Plug and Play Chassis GROUND Buss System**



Standard products. Custom solutions  
Customer Service +1 800 394 7732



**Amphenol**  
INDUSTRIAL PRODUCTS GROUP

© 2019 Amphenol Sine Systems Corporation, 44274 Morley Drive, Clinton Township MI 48036 USA. [www.amphenol-sine.com](http://www.amphenol-sine.com). Customer Service +1 800 394 7732  
Every effort has been made to ensure that the information contained in this document is accurate at the time of publication. Specifications or information stated in this document are subject to change without notice. 05/2019