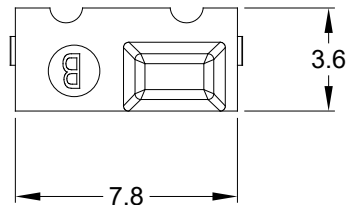
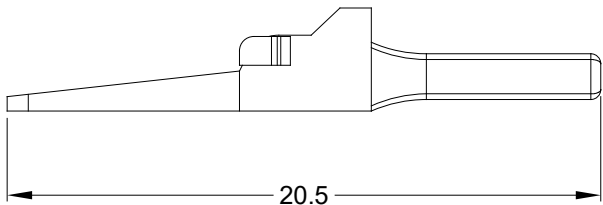
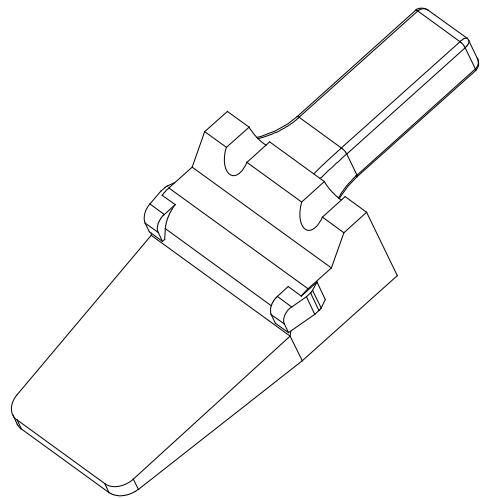
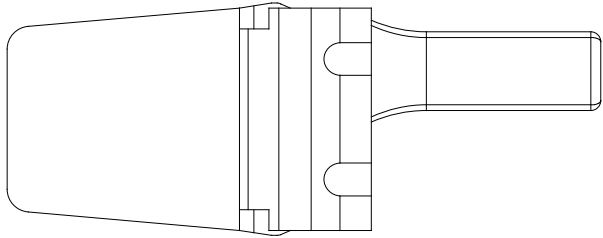


REVISIONS					
REV	ECO	DESCRIPTION	DATE	BY	APPR
A1		RELEASE	26/JUL/16	JONY	TOMMY



NOTES: UNLESS OTHERWISE SPECIFIED

1. MATERIAL: THERMOPLASTIC; COLOR: BLACK
2. RoHS COMPLIANT
3. CAVITIES: 2
4. KEYED: B KEYED
5. USE WITH CONNECTORS ATM04-2P*
(* = MODIFICATIONS AND COLORS)
6. ALL DIMENSIONS ARE FOR REFERENCE USE ONLY.

AWM-2PB		REF: WM-2PB							
PART NUMBER		DESCRIPTION							
QUANTITY	MATERIALS LIST								
<p>UNLESS OTHERWISE SPECIFIED</p> <p>1) All dimensions are in metric(mm).</p> <p>2) Tolerances are as follows:</p> <table border="0"> <tr> <td>1 PL DEC ±0.30</td> <td>Fractions ±1/64</td> </tr> <tr> <td>2 PL DEC ±0.15</td> <td>Angles ±1°</td> </tr> <tr> <td>3 PL DEC ±0.08</td> <td></td> </tr> </table> <p>3) Note reference = </p>	1 PL DEC ±0.30	Fractions ±1/64	2 PL DEC ±0.15	Angles ±1°	3 PL DEC ±0.08		SIGNATURES	DATE	<h1>Amphenol</h1> <p>Sine Systems - www.amphenol-sine.com 44724 Morley Drive Clinton Township, MI 48036</p>
	1 PL DEC ±0.30	Fractions ±1/64							
	2 PL DEC ±0.15	Angles ±1°							
	3 PL DEC ±0.08								
DRAWN:	JONY	26/JUL/16							
CHECKED:	Orion	26/JUL/16							
ENGINEER:									
MATERIAL SPECIFICATIONS:	APPROVAL:	Tommy	26/JUL/16						
PROCESS SPECIFICATIONS:	CUSTOMER:								
NEXT ASSY:	<p>THIS DRAWING IS SUPPLIED FOR INFORMATION ONLY. DESIGN FEATURES, SPECIFICATIONS AND PERFORMANCE DATA SHOWN HEREON ARE THE PROPERTY OF THE AMPHENOL CORPORATION. NO RIGHTS OF REPRODUCTION ARE IMPLIED. ALL DIMENSIONS ARE SUBJECT TO NORMAL MANUFACTURING VARIATIONS.</p>								
SIZE		TYPE	DWG NO:	REVISION					
A		C-	AWM-2PB	A1					
SCALE:		NONE		SHEET 1 OF 1					

P-WEDGELOCK, 2 POS, B KEYED, ATM SERIES

SCALE: NONE SHEET 1 OF 1