

LEGEND  = KEY PRODUCT CHARACTERISTICS

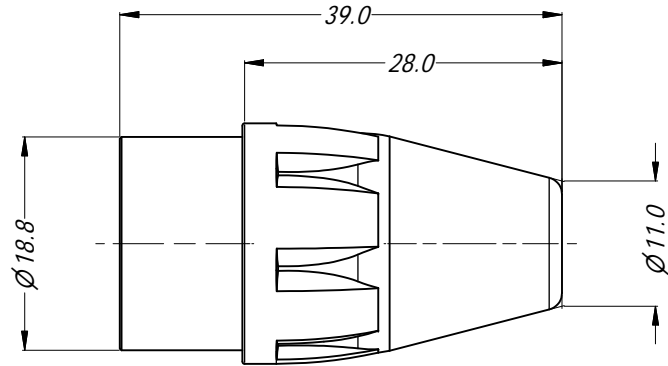
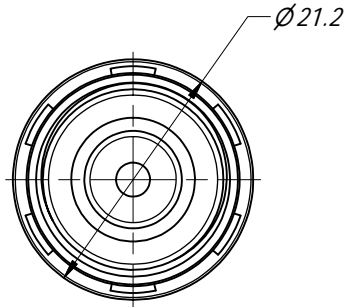
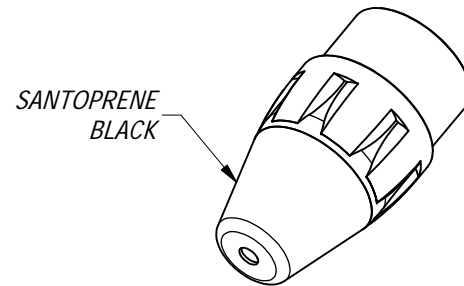


TABLE OF PART NUMBERS

<i>AX-BOOT-1</i>	<i>BROWN</i>
<i>AX-BOOT-2</i>	<i>RED</i>
<i>AX-BOOT-3</i>	<i>ORANGE</i>
<i>AX-BOOT-4</i>	<i>YELLOW</i>
<i>AX-BOOT-5</i>	<i>GREEN</i>
<i>AX-BOOT-6</i>	<i>BLUE</i>
<i>AX-BOOT-7</i>	<i>VIOLET</i>
<i>AX-BOOT-8</i>	<i>GREY</i>
<i>AX-BOOT-9</i>	<i>WHITE</i>
<i>AX-BOOT</i>	<i>BLACK</i>



3D VIEW (1:1)

UNLESS OTHERWISE SPECIFIED TOLERANCE TO BE		THIS DOCUMENT IS THE PROPERTY OF AMPHENOL AUSTRALIA PTY. LTD. NO PART THEREOF MAY BE REPRODUCED AND USED WITHOUT THE PRIOR WRITTEN CONSENT OF THE OWNER.				Amphenol		Amphenol Australia Pty.Ltd, 22 Industry Blvd Carrum Downs, VIC 3201	
LINEAR	ANGULAR	MATERIAL: NORYL & SANTOPRENE		DRN: T.N	DATE: 18/08/15	TITLE: BOOT AX SERIES		PART No: REFER TABLE	REV 3
X ± 0.5	X' ± 1	FINISH:		CKD:	DATE: 18/08/15			DRAWING No.	SHEET
X.X ± 0.1	X.X' ± 30'	DO NOT SCALE		APP'D: P.M	DATE: 18/08/15			50440036-530	/
X.XX ± 0.05	X.XX' ± 15'	DIMENSIONS IN MILLIMETRES		THIRD ANGLE PROJECTION	SCALE: 3:2	SIZE: A4			