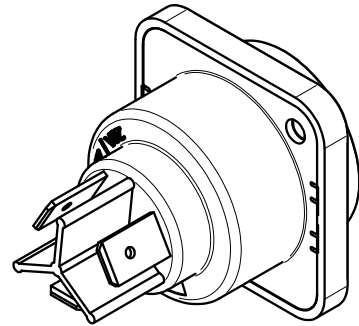
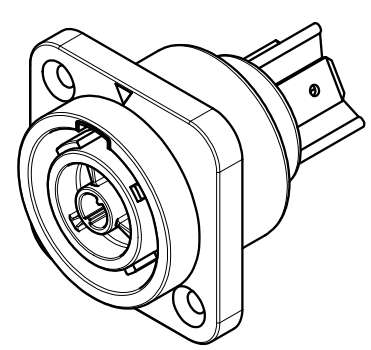
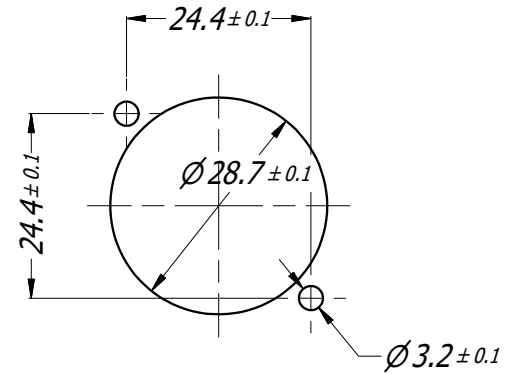


**CAUS**



**3D VIEW**  
1:1



**PANEL CUTOUT**

**NOTES:**  
 - USE SCREW #4 OR M3  
 - SCREW TORQUE: 0.4 N-m ( 3.5 lb-in) MAX

UNLESS OTHERWISE SPECIFIED TOLERANCE TO BE		THIS DOCUMENT IS THE PROPERTY OF AMPHENOL AUSTRALIA PTY. LTD. NO PART THEREOF MAY BE REPRODUCED AND USED WITHOUT THE PRIOR WRITTEN CONSENT OF THE OWNER.				<b>Amphenol</b> Amphenol Australia Pty.Ltd, 22 Industry Blvd, Carrum Downs VIC 3201	
LINEAR	ANGULAR	MATERIAL: <b>REFER COMPONENTS</b>	DRN:	T.N	DATE:	29/08/16	TITLE:
X ± 0.5	X' ± 1		CKD:	P.M	DATE:	29/08/16	<b>FEMALE PANEL MOUNT</b>
X.X ± 0.1	X.X' ± 30'	FINISH:	APP'D:	P.M	DATE:	29/08/16	<b>HP SERIES</b>
X.X ± 0.05	X.X'X" ± 15'		DO NOT SCALE	SCALE:	<b>1:1</b>	SIZE:	<b>A4</b>
BREAK ALL SHARP EDGES AND REMOVE ALL BURRS		DIMENSIONS IN MILLIMETRES	THIRD ANGLE PROJECTION		DRAWING No.		PART No:
DO NOT SCALE			DRAWING No.		<b>55011094-000-4</b>		REV
DIMENSIONS IN MILLIMETRES		DRAWING No.		<b>55011094-000-4</b>		SHEET	
DIMENSIONS IN MILLIMETRES		DRAWING No.		<b>55011094-000-4</b>		<b>3 / 4</b>	