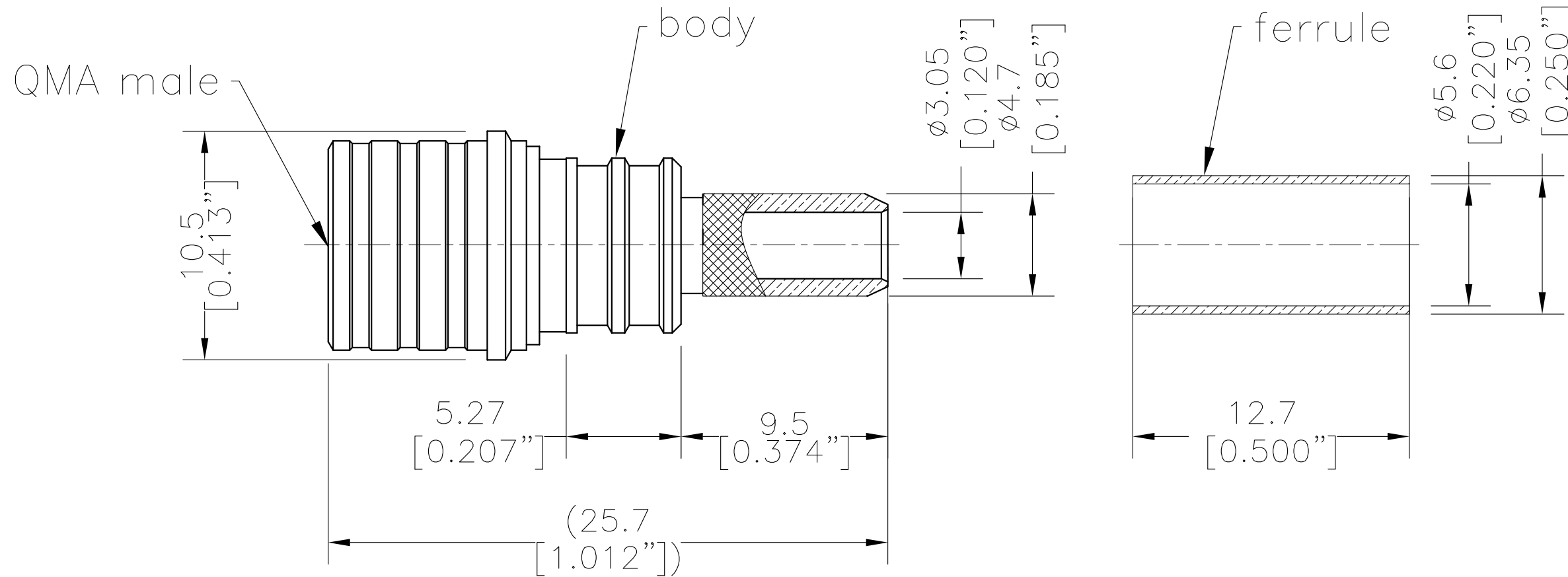


| SYM | REVISION DESCRIPTION    | DFTM   | DATE       | APPD   | APPD       |
|-----|-------------------------|--------|------------|--------|------------|
| A   | RELEASED FOR PRODUCTION | Joslen | 2017.06.06 | TZ     | 2017.06.06 |
| B   | Structure Optimization  | Monica | 2018/07/18 | Joslen | 2018/07/18 |
| C   | Total length correction | Monica | 2018/10/25 | Joslen | 2018/10/25 |



**I. MATERIALS & FINISHES**

| Components   | Materials        | Finishes | Thk. (μ") |
|--------------|------------------|----------|-----------|
| Body         | Brass            | Albaloy  | 80        |
| Center Cont. | Beryllium Copper | Gold     | 50        |
| Ferrule      | Copper           | Albaloy  | 80        |
| Insulator    | PTFE             | --       | --        |

**II. ELECTRICAL PROPERTIES**

|                                      |             |
|--------------------------------------|-------------|
| Impedance (Ω):                       | 50          |
| Frequency Range (GHz):               | DC to 8 GHz |
| Dielectric Withstanding Voltage (V): | 1000        |
| Insulation Resistance (MΩ):          | ≥5000       |
| VSWR:                                | ≤1.30       |
| Insertion Loss(dB, f/GHz):           | -0.1x √f    |

**III. ENVIRONMENT PROPERTIES**

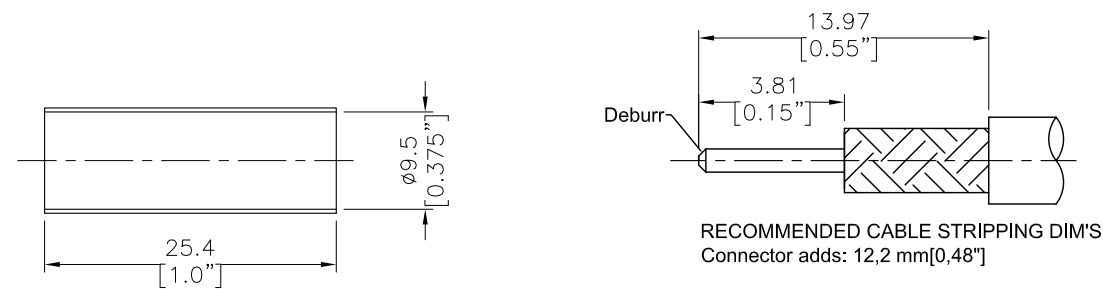
|                    |                                |
|--------------------|--------------------------------|
| Temperature Range: | -40°C~+125°C                   |
| Thermal Shock:     | MIL-STD 202G, Meth.107, Cond.B |
| Vibration:         | MIL-STD 202G, Meth.204, Cond.B |
| Shock:             | MIL-STD 202G, Meth.213, Cond I |
| Climatic Class:    | IEC 60068 40/125/21            |
| RoHS:              | Compliant                      |

**IV. MECHANICAL PROPERTIES**

|                                    |                |
|------------------------------------|----------------|
| Center Cont.:                      | Finger Contact |
| Outer Cont.:                       | Crimp          |
| Coupling Nut Torque (N.m):         | N/A            |
| Cbl-Connector Retention Force (N): | 100            |
| Durability (cycles):               | 100            |

**V. TOOLING**

Stripping Tool: 3192-102/CST-195/200  
 Crimping Tool: 3190-667/CT-240/200/100



Shrink Tube (3/8"x1.0" 3:1)

Compatible with Standard: QLF

| MATL:                  | UNLESS OTHERWISE SPECIFIED  | DFTM. Joslen    |  |
|------------------------|---|-----------------|--|
| USED ON: O             | ALL DIMENSIONS ARE IN mm<br>MACHINED SURFACES FINISH 1.6 RMS MAX.<br>REMOVE ALL BURRS 0.15X45° MAX. BREAK<br>MACHINE CORNERS 0.15X45° D MAX. FILLET<br>R. TOLERANCES ON DECIMALS<br>.X ±0.3 .XX ±0.15<br>ANGLES ±2° FRACTIONS ± N/A | DATE 2017.06.06 |  |
| SCALE: N/A DWG SIZE A4 |   | CHKD KG         |  |
|                        |   | DATE 2017.06.06 |  |
|                        |   | APPD TZ         |  |
|                        | DO NOT SCALE DRAWING  | DATE 2017.06.06 | <b>EZ-195-QM-X</b><br>QMA Male (Plug) Straight Non- Solder<br>Pin No Braid Trim Connector for<br>LMR-195 Cable |
|                        | CODE IDENT 68999  | DATE 2017.06.06 | S H T 1 OF 1 <b>3190-6383</b> R E V C  |