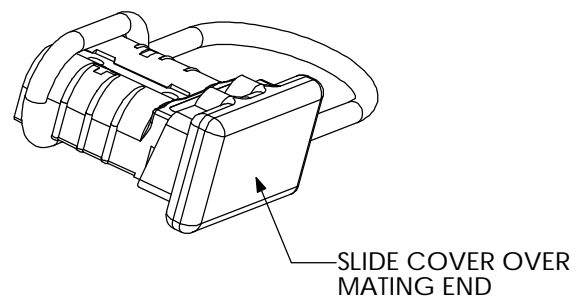
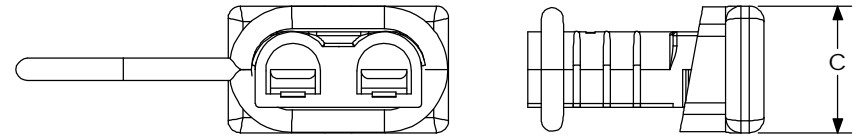
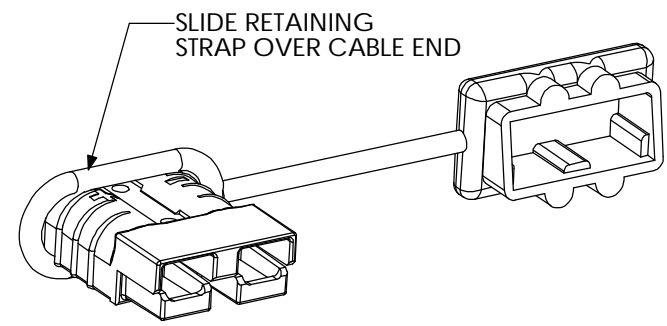
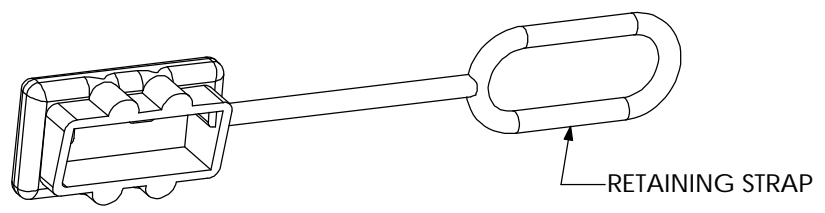
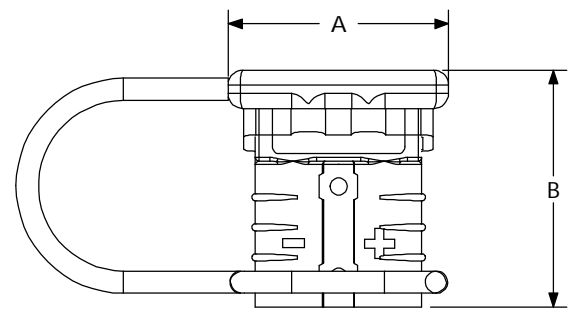


8 7 6 5 4 3 2 1

THE INFORMATION CONTAINED IN THIS DRAWING IS THE SOLE PROPERTY OF ANDERSON POWER PRODUCTS. ANY REPRODUCTION IN PART OR WHOLE WITHOUT THE WRITTEN PERMISSION OF ANDERSON POWER PRODUCTS IS PROHIBITED.

D BY: DATE  
C REV. DESCRIPTION OF CHANGES



| CAT. NO. | SB SERIES | A    |      | B    |       | C    |      |
|----------|-----------|------|------|------|-------|------|------|
|          |           | IN   | MM   | IN   | MM    | IN   | MM   |
| 134G1    | SB50      | 1.83 | 46.5 | 2.03 | 51.6  | 2.28 | 30.0 |
| 134G2    | SB175     | 2.73 | 69.3 | 3.40 | 86.4  | 1.50 | 38.1 |
| 134G3    | SB350     | 3.47 | 88.1 | 4.44 | 112.8 | 1.90 | 48.3 |

NOTES:

1. CONNECTOR SOLD SEPARATELY
2. DUST COVERS DO NOT PROVIDE A HERMETIC SEAL
3. MAY BE USED WITH CABLE CLAMPS

|             |         |
|-------------|---------|
|             |         |
|             |         |
|             |         |
| NEXT ASSY   | USED ON |
|             |         |
| APPLICATION |         |

|   |                         |  |  |                                   |                  |
|---|-------------------------|--|--|-----------------------------------|------------------|
| ITEM NO.  | PART OR IDENTIFYING NO. | NOMENCLATURE OR DESCRIPTION                      | MATERIAL SPECIFICATION                   | QTY RECD                          |                  |
| COPYRIGHT 1999 ANDERSON POWER PRODUCTS. ALL RIGHTS RESERVED. UNAUTHORIZED REPRODUCTION HEREBY PROHIBITED. |                         |  |  |                                   |                  |
| DIMENSIONS ARE IN INCHES<br>DIMENSIONS IN PARENTHESES<br>[ ] ARE IN MILLIMETERS                           |                         | CAD GENERATED DRAWING,<br>DO NOT MANUALLY UPDATE | <b>ANDERSON POWER PRODUCTS</b>           |                                   |                  |
| TOLERANCES ARE:<br>2PL- ±.02 [±.5]  |                         | APPROVALS DATE                                   |  |                                   |                  |
| MATERIALS:<br><b>ELASTOMER- RED</b>   |                         | DRAWN CMS 11/4/99                                | <b>DUST COVERS FOR<br/>SB CONNECTORS</b> |                                   |                  |
| FINISH<br><b>AS MOLDED</b>  |                         | CHECKED DJD 1/31/00                              |  |                                   |                  |
|   |                         | RESP ENG UFN 2/1/00                              | SIZE A                                   | SPECIFICATION:<br><b>114209S1</b> | REV.<br><b>0</b> |
|   |                         | MFG ENG CHB 2/1/00                               | SCALE NONE                               | CADFILES/01136                    | SHEET 1 OF 1     |
|   |                         | QUAL ENG RPO 2/1/00                              |  |                                   |                  |

8 7 6 5 4 3 2 1