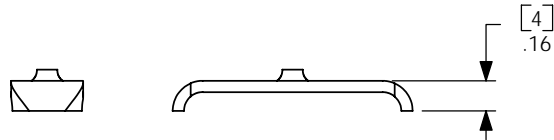
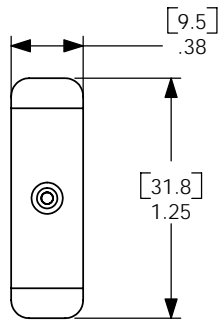
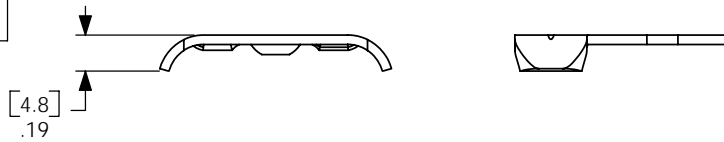
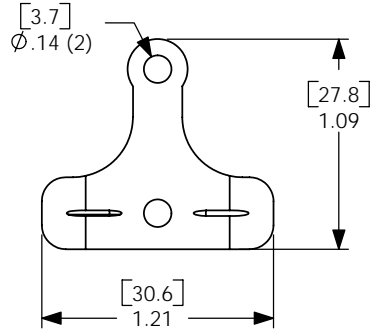


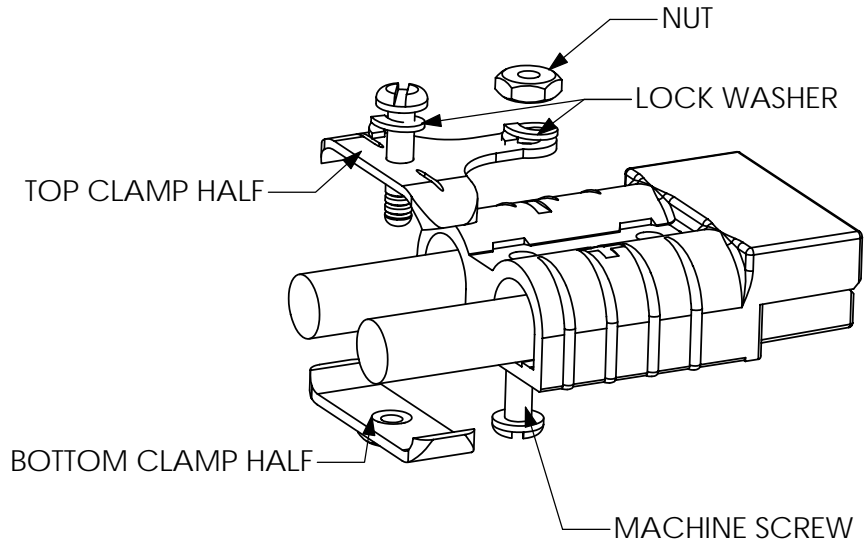
THE INFORMATION CONTAINED IN THIS DRAWING IS THE SOLE PROPERTY OF ANDERSON POWER PRODUCTS. ANY REPRODUCTION IN PART OR WHOLE WITHOUT THE WRITTEN PERMISSION OF ANDERSON POWER PRODUCTS IS PROHIBITED.

BY:	DATE
REV.	DESCRIPTION OF CHANGES



NOTES:

1. MATERIAL: STEEL, ZINC/YELLOW PLATE
2. HARWARE KIT INCLUDES TWO MACHINE SCREWS, TWO LOCK WASHERS, AND TWO NUTS
3. USE WITH SINGLE CONDUCTOR CABLE
4. CONNECTOR SOLD SEPARATELY



ITEM NO.	PART OR IDENTIFYING NO.	NOMENCLATURE OR DESCRIPTION	MATERIAL SPECIFICATION	QTY RECD
COPYRIGHT2000 ANDERSON POWER PRODUCTS. ALL RIGHTS RESERVED. UNAUTHORIZED REPRODUCTION HEREBY PROHIBITED.				
DIMENSIONS ARE IN INCHES DIMENSIONS IN PARENTHESES [] ARE IN MILLIMETERS		CAD GENERATED DRAWING, DO NOT MANUALLY UPDATE		ANDERSON POWER PRODUCTS
TOLERANCES ARE: 2PL- ±.02 [±.5]		APPROVALS	DATE	
MATERIALS: SEE NOTES		DRAWN	CMS	2/2/00
FINISH SEE NOTES		CHECKED	DJD	2/3/00
NEXT ASSY		USED ON	RESP ENG	UFN
APPLICATION		DO NOT SCALE DRAWING	MFG ENG	CHB
			QUAL ENG	RPO
			DATE	7/11/00
			SIZE	A
			SPECIFICATION:	114227S1
			SCALE	NONE
			CADFILES/01185	
			SHEET 1 OF 1	
			REV.	0

A

A