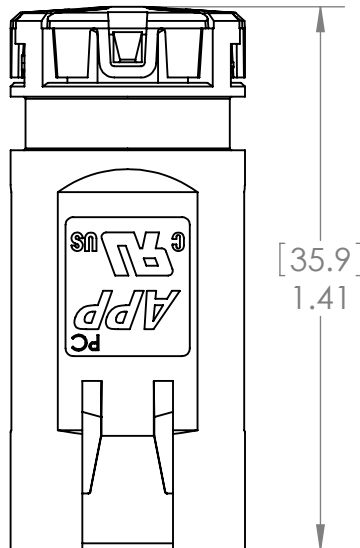


THE INFORMATION CONTAINED IN THIS DRAWING IS THE SOLE PROPERTY OF ANDERSON POWER PRODUCTS. ANY REPRODUCTION IN PART OR WHOLE WITHOUT THE WRITTEN PERMISSION OF ANDERSON POWER PRODUCTS IS PROHIBITED.

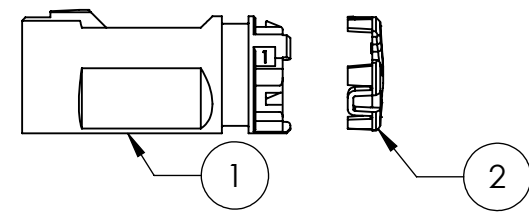
Copyright 2010

ANDERSON POWER PRODUCTS RESERVES THE RIGHT TO ALTER PRODUCT TYPES, THEIR TECHNICAL DATA, DIMENSION, STYLE AND ACCESSORIES WITHOUT PRIOR NOTIFICATION.

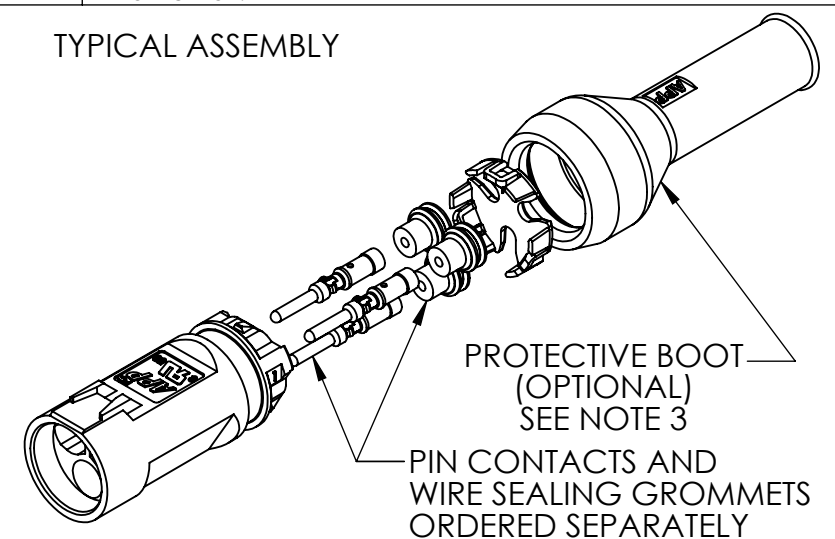


PLUG KIT

ITEM	QTY	DESCRIPTION
1	1	PLUG HOUSING
2	1	GROMMET RETENTION COVER

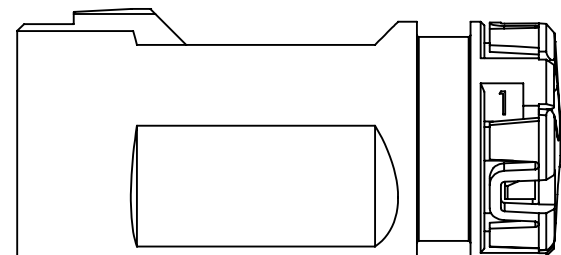
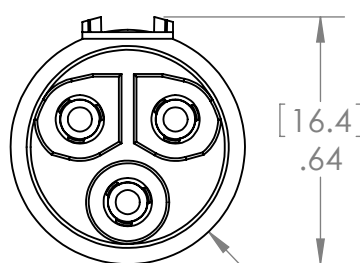


TYPICAL ASSEMBLY

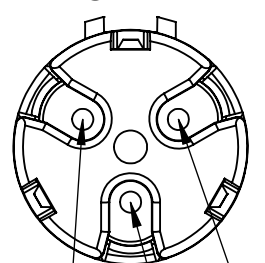


PROTECTIVE BOOT (OPTIONAL) SEE NOTE 3
PIN CONTACTS AND WIRE SEALING GROMMETS ORDERED SEPARATELY

FRONT VIEW

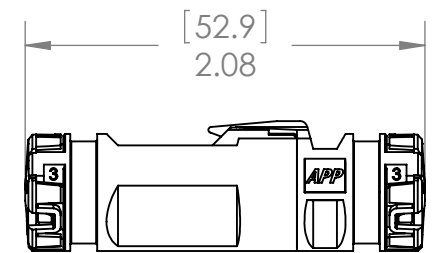


BACK VIEW



CONTACT LOCATION 1
CONTACT LOCATION 2
CONTACT LOCATION 3

MATED LENGTH WITH IN-LINE RECEPTACLE



NOTES:

- MATERIAL:
 - A. PLUG HOUSING: PC, BLACK
 - B. SEAL COVER: PC, BLACK
 - C. WIRE SEAL: SILICONE
- REFER TO ASSEMBLY INSTRUCTIONS 1S6525
- REFER TO 115046S1 FOR PROTECTIVE BOOT
- MAX WIRE INSULATION DIAMETER ϕ .105[2.66]

REV.	DESCRIPTION	APPRV	DATE
1	ECRN-14882 MAX WIRE INSULATION DIAMETER ADDED	TWE	4/11/11
REVISIONS			

DIMENSIONS ARE IN:	INCH [MM]
UNLESS OTHERWISE STATED	
TOLERANCES:	
DECIMALS (INCH)	DECIMALS (MM) ANGLES
.XX ±.02	.X ±.5 ±2°
SURFACE FINISH:	
MACHINED	128 [3.2] ✓
MOLDED	64 [1.6] ✓
MATERIAL: SEE NOTES	
FINISH: N/A	

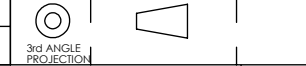
APPROVALS	
DRAWN	NTS 12/13/2010
CHECKED	LLD 12/14/2010
MFG APPRV	CHB 12/14/2010
QC APPRV	UJN 12/15/2010
ENG APPRV	CHB_BD 12/14/2010

ANDERSON POWER PRODUCTS

TITLE: 3 POSITION MINI SPEC PAK™ PLUG KIT SK6-016M03

SIZE: A DWG NO.: 115045S1 REV.: 1

SCALE: NONE CADFILE: 03335 SHEET: 1 OF 1



-CAD GENERATED DRAWING- DO NOT MANUALLY UPDATE DO NOT SCALE