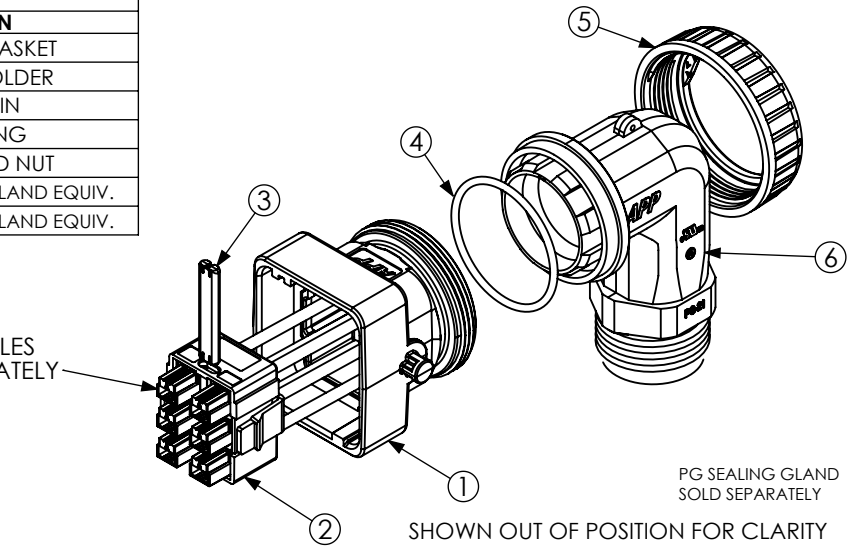
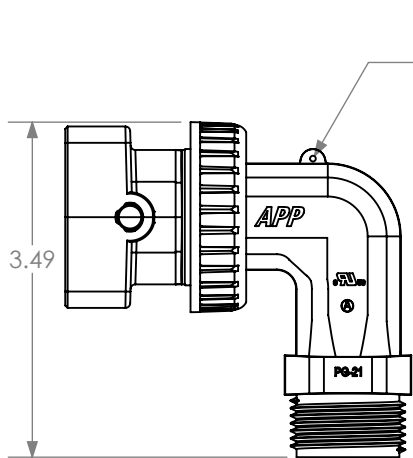
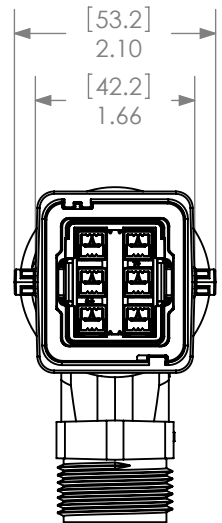
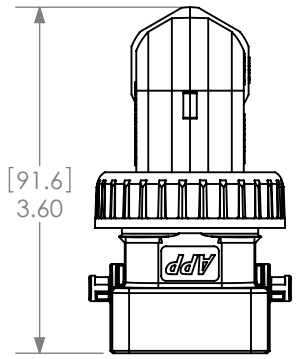


THE INFORMATION CONTAINED IN THIS DRAWING IS THE SOLE PROPERTY OF ANDERSON POWER PRODUCTS. ANY REPRODUCTION IN PART OR WHOLE WITHOUT THE WRITTEN PERMISSION OF ANDERSON POWER PRODUCTS IS PROHIBITED.

Copyright 2010

ANDERSON POWER PRODUCTS RESERVES THE RIGHT TO ALTER PRODUCT TYPES, THEIR TECHNICAL DATA, DIMENSION, STYLE AND ACCESSORIES WITHOUT PRIOR NOTIFICATION.

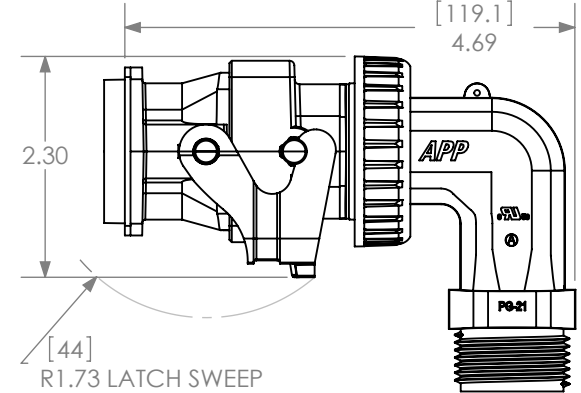
ITEM	QTY IN KIT NO:		DESCRIPTION
	SK8-A53B06	SK8-B53B06	
1	1	1	PLUG HSG w/ GASKET
2	1	1	6 POS. PLUG HOLDER
3	1	1	RETENTION PIN
4	1	1	M2 x 35 O-RING
5	1	1	1-3/4" THREADED NUT
6	0	1	R/A BACKSHELL PG-29 GLAND EQUIV.
6	1	0	R/A BACKSHELL PG-21 GLAND EQUIV.



RIGHT ANGLE PLUG KIT

NOTE: POWERPOLES ORDERED SEPARATELY

PLUG MATED WITH RECEPTACLE WITH LATCH MOUNTED ON RECEPTACLE



- NOTES:
- MATERIAL: UNFILLED PBT/PC BLEND, BLACK
 - REFER TO ASSEMBLY INSTRUCTION 1S6528
 - FOR USE WITH PP15/45 POWERPOLE CONTACTS AND HOUSINGS ONLY

REV.	DESCRIPTION	APPROVED	DATE
4	ECRN 14728: FIXED TYPOS AND UNITS	JHN	10/5/2010
3	ECRN 14696	CMS	8/23/10
2	ECRN 14666: REMOVE LOCK FEATURE FROM PLUG	CMS	7/14/10
1	ECRN-14592: CHANGED KIT PART NUMBERS IN D5 AND D6	JHN	5/7/2010
REVISIONS			

DIMENSIONS ARE IN:	INCH [MM]	APPROVALS		<p>ANDERSON POWER PRODUCTS</p> <p>TITLE</p> <p>SPEC PAK 6-POS. RIGHT ANGLE PLUG ASSEMBLY</p>
UNLESS OTHERWISE STATED		DRAWN	JRW 12/21/2009	
TOLERANCES:		CHECKED	DJD 12/21/2009	
DECIMALS (INCH) .XX ±.02		MFG APPRV	CHB 12/21/2009	
DECIMALS (MM) .X ±.5		QC APPRV	UFN 12/21/2009	
ANGLES ±2°		ENG APPRV	BD 12/21/2009	SIZE A
SURFACE FINISH:		DWG NO. 114908S1		REV. 4
MACHINED 128 [3.2] ✓		SCALE NONE		CADFILE 02984
MOLDED 64 [1.6] ✓		SHEET 1 OF 1		
MATERIAL: SEE NOTES		-CAD GENERATED DRAWING- DO NOT MANUALLY UPDATE DO NOT SCALE		
FINISH: SEE NOTES				
<p>3rd ANGLE PROJECTION</p>				