



# Part No. 1109681-XXX

## Mirror Image Collet Sockets

### FEATURES:

- A cost-effective solution for design problems, this socket reroutes connections from a row of female contacts on top to the opposite row of male pins on bottom.
- ICs can be replaced at the opposite side of a PC board.

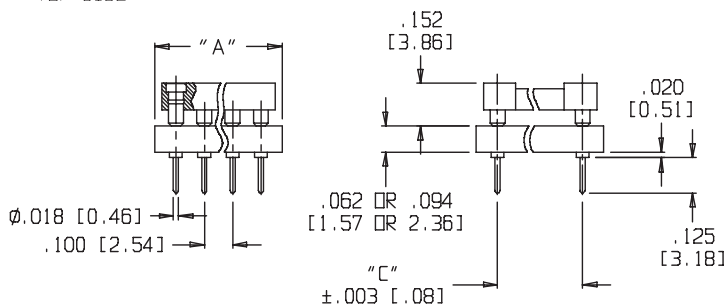
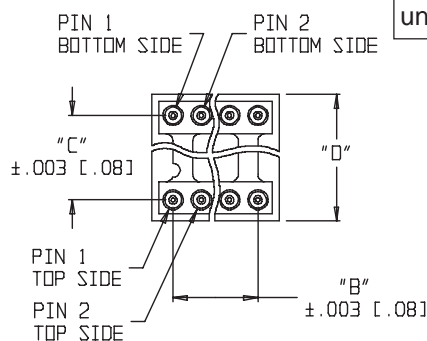
### SPECIFICATIONS:

- Female socket material is black UL 94V-0 Glass-filled 4/6 Nylon 170°C continuous use temp.
- PCB is FR-4, .062 [1.56] or .094 [2.39] thick.
- Male pin is Brass Alloy 360 1/2 hard per UNS C36000 ASTM-B16-85.
- Male pin plating is 200µ [5.08µm] min. Tin per MIL-T-10727 Type 1 or Tin/Lead 90/10 MIL-P-81728 over 100µ [2.54µm] Nickel per QQ-N-290.
- Female pin body is Brass Alloy 360 1/2 hard per UNS C36000 ASTM-B16-85.
- Female pin body plating is 10µ [.254µm] min. Gold per MIL-G-45204 over 100µ [2.54µm] min. Nickel per QQ-N-290.
- 4-fingered collet contact is Beryllium Copper Alloy per UNS C17200 ASTM-B194-92.
- Contact plating is 10µ [.254µm] min. Gold per MIL-G-45204 over 50µ [1.27µm] min. Nickel per QQ-N-290.
- Contact current rating=3 Amps.
- Operating temperature=221°F [105°C].
- Insertion Force=180 grams/pin; Withdrawal Force=90 grams/pin; Normal Force=140 grams/pin; based on a .018 [.46] diameter test lead.
- Socket accepts leads .015-.025 [.38-.64] in diameter, .100-.125 [2.54-3.18] long.

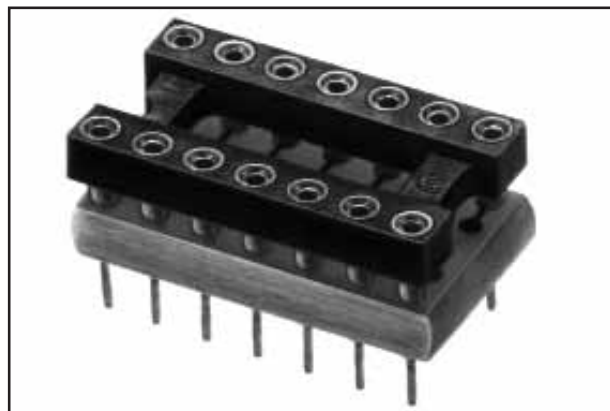
### MOUNTING CONSIDERATIONS:

- Suggested PCB hole size= .028 ± .003 [.71 ± .08] dia.

### ALL DIMENSIONS: INCHES [MILLIMETERS]



All tolerances ± .005 [.13] unless otherwise specified



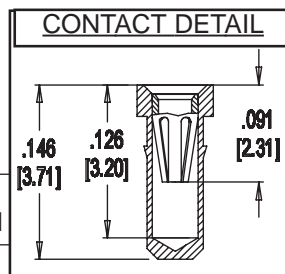
Note: Aries specializes in custom design and production. In addition to the standard products shown on this page, special materials, platings, sizes, and configurations can be furnished, depending on quantities. Aries reserves the right to change product specifications without notice.

### ORDERING INFORMATION

1109681-XXX

Part No.

No. of pins:  
8 thru 48  
(see table)



Row-to-row spacing:  
3: "C"=.300 [7.62]  
4: "C"=.400 [10.16]  
6: "C"=.600 [15.24]

100 piece  
minimum order  
quantity required

"A"=(NO. OF PINS PER ROW X .100 [2.54]) - .050 [1.27]  
"B"=(NO. OF PINS PER ROW - 1) X .100 [2.54]

Centers "C"	Dim. "D"	Available Sizes
.300 [7.62]	.450 [11.43]	8, 14, 16, 18, 20, 24, 28
.400 [10.16]	.550 [13.97]	20, 22, 24
.600 [15.24]	.750 [19.05]	24, 28, 32, 40, 48

Wire list example: 8 pins	
Top Side	Bottom Side
1	8
2	7
3	6
4	5
5	4
6	3
7	2
8	1

**ARIES**<sup>®</sup>  
ELECTRONICS, INC.  
http://www.arieselec.com • info@arieselec.com

NORTH AMERICA  
Frenchtown, NJ USA  
TEL: (908) 996-6841  
FAX: (908) 996-3891



EUROPE  
TEL: +44 870 240 0249  
FAX: +44 871 919 6033  
europe@arieselec.com

18008  
REV.G