



Series 800 and 822 Thrifty Model Vertisockets™ with Bifurcated Contacts

FEATURES:

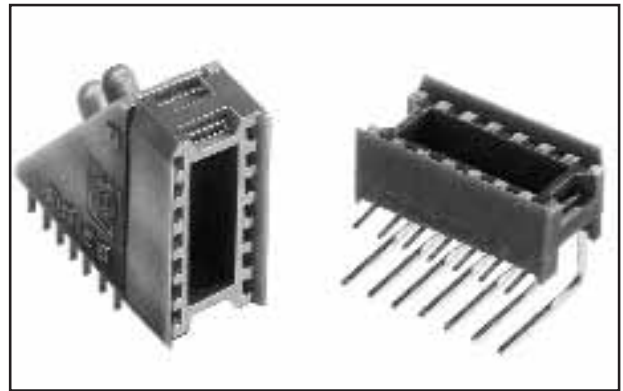
- These low cost Vertisockets™ are recommended for high volume vertical display mounting applications.
- Very useful for connection of board-to-board jumpers and for DIP switches as well as LED devices.

SPECIFICATIONS:

- Standard body material is black UL 94V-0 4/6 Nylon.
- Bifurcated contacts are Grade A spring-tempered Phosphor Bronze per QQ-B-750.
- Standard contact plating is 50μ [1.27μm] min. Matte Tin Per ASTM B545-97 over 50μ" Nickel per QQ-N-290.
"TL" = 90/10 Tin/Lead per MIL-T-10727 Type 1 over 50μ" Nickel per QQ-N-290.
- Contact current rating=1 Amp.
- Operating temperature=221°F [105°C].
- Insertion Force=110 grams/pin average; Withdrawal Force=75 grams/pin average.
- Accepts flat leads up to .014 [.36] thick and .020 [.51] wide; round leads up to .020 [.51] diameter.
- Accepts lead lengths: .075-.160 [1.91-4.06].

MOUNTING CONSIDERATIONS:

- Suggested PCB hole size:
Part No. 14-810-90R=.036 ± .002 [.91 ± .05] dia.
Part No. XX-822-90E=.044 ± .002 [1.12 ± .05] dia.



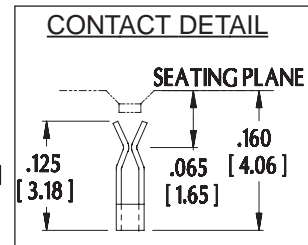
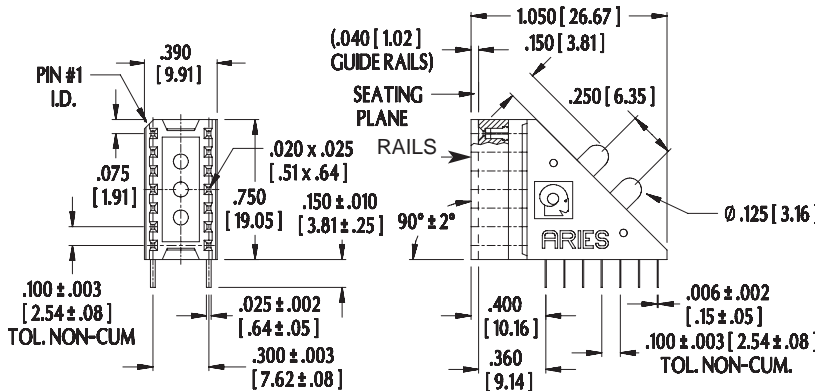
Note: Aries specializes in custom design and production. In addition to the standard products shown on this page, special materials, platings, sizes, and configurations can be furnished, depending on quantities. Aries reserves the right to change product specifications without notice.

ORDERING INFORMATION

14-810-90RXXXX

No. of pins — Series — Display angle — Optional suffix:
WR=Without rails
TL=Tin/Lead
WRTL=Without rails Tin/Lead.

SERIES 800 - VERTICAL MOUNTING



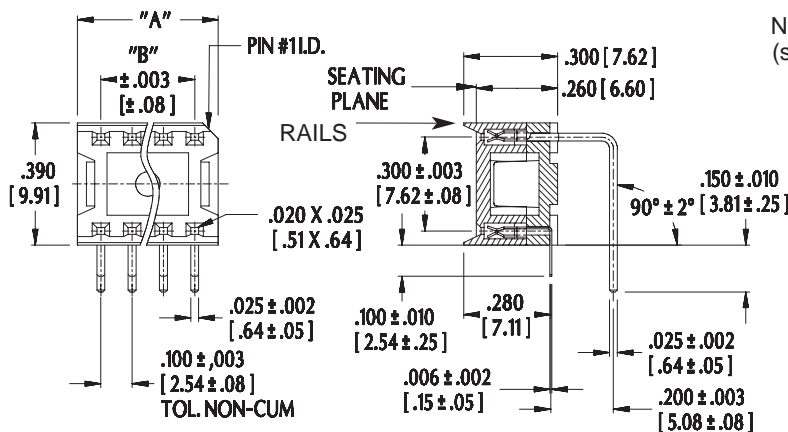
All tolerances ± .005 [.13] unless otherwise specified

ORDERING INFORMATION

XX-822-90EXXXX

No. of pins (see table) — Series — Display angle — Economy version — Optional suffix:
WR=Without rails
TL=Tin/Lead
WRTL=Without rails Tin/Lead

SERIES 822 - HORIZONTAL MOUNTING



Other sizes available. Consult factory.

No. of Positions	Dim. "A"	Dim. "B"
8	.450 [11.43]	.300 [7.62]
14	.750 [19.05]	.600 [15.24]
16	.850 [21.59]	.700 [17.78]
18	.950 [24.13]	.800 [20.32]
20	1.050 [26.67]	.900 [22.86]



NORTH AMERICA
Frenchtown, NJ USA
TEL: (908) 996-6841
FAX: (908) 996-3891



EUROPE
TEL: +44 870 240 0249
FAX: +44 871 919 6033
europe@arieselec.com



13003
REV.C