

Distributed by:

**JAMECO**<sup>®</sup>  
ELECTRONICS

**www.Jameco.com ♦ 1-800-831-4242**

The content and copyrights of the attached  
material are the property of its owner.

*Jameco Part Number 295283*



# Series 647 Universal SOIC to .600 [15.24] DIP Adapter

### Features:

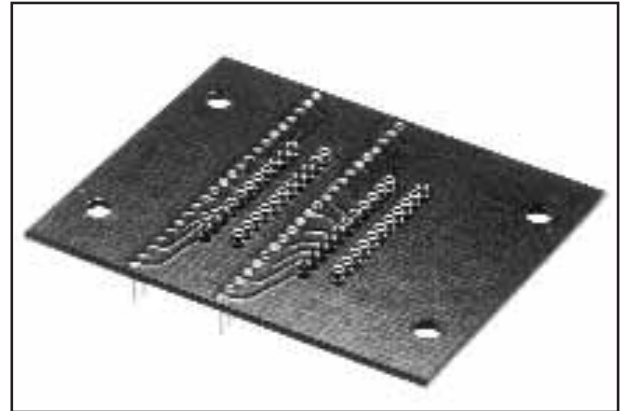
- 44 pin adapter for mounting Aries' Series 547 Universal SOIC ZIF (zero insertion force) Test Socket to .600 [15.24] DIP PCB layout. Consult Data Sheet No. 10015 for test socket information.

### Specifications:

- Body material is black FR-4, .094 [2.39] thick, with 1 ounce min. Copper traces.
- Female pin body is Brass Alloy 360 1/2 hard per UNS C36000 ASTM-B16-85.
- Female pin body plating is 200 $\mu$  [5.08 $\mu$ m] min. 93/7 Tin/Lead per MIL-P-81728 over 100 $\mu$  [2.54 $\mu$ m] min. Nickel per QQ-N-290.
- 4-fingered collet contact is Beryllium Copper Alloy per UNS C17200 ASTM-B194-92.
- Collet contact plating is 10 $\mu$  [.25 $\mu$ m] min. Gold per MIL-G-45204 over 50 $\mu$  [1.27 $\mu$ m] min. Nickel per QQ-N-290.
- Male pin is Phosphor Bronze Alloy 544 UNS C5400 ASTM-B139-90.
- Male pin plating is 200 $\mu$  [5.08 $\mu$ m] min. 93/7 Tin/Lead per MIL-P-81728 over 100 $\mu$  [2.54 $\mu$ m] min. Nickel per QQ-N-290.
- Collet contact current rating=3 Amps.
- Operating temperature=221°F [105°C].
- Insertion Force=180 grams/pin; Withdrawal Force=90 grams/pin; Normal Force=140 grams/pin; based on a .018 [.46] diameter test lead.

### Mounting Considerations:

- Suggested PCB hole size=.028  $\pm$  .002 [.71  $\pm$  .05] dia.



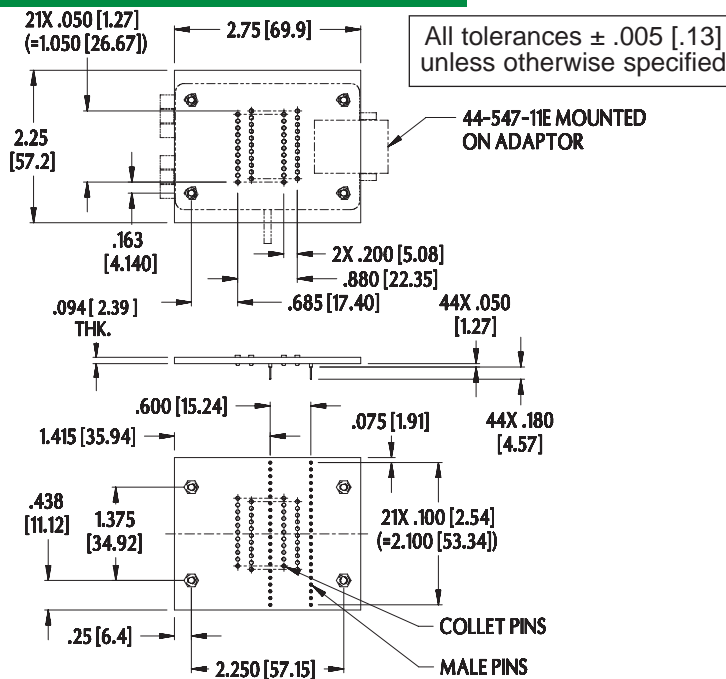
*Note: Aries specializes in custom design and production. In addition to the standard products shown on this page, special materials, platings, sizes, and configurations can be furnished, depending on quantities. Aries reserves the right to change product specifications without notice.*

## ORDERING INFORMATION

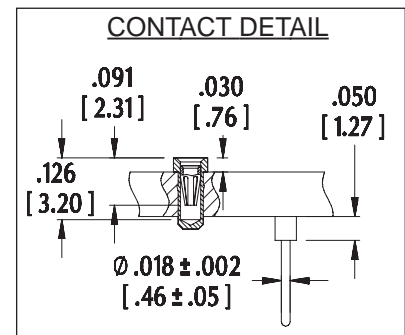
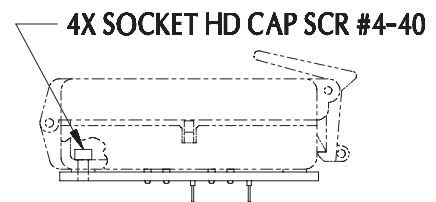
Specify Part No. 44-647-10 when ordering

Consult Data Sheet No. 10015 for Universal SOIC ZIF Test Socket information.

### ALL DIMENSIONS: INCHES [MILLIMETERS]



### MOUNTING CONSIDERATIONS



**ARIES**  
ELECTRONICS, INC.  
<http://www.arieselec.com> • [info@arieselec.com](mailto:info@arieselec.com)

NORTH AMERICA  
Frenchtown, NJ USA  
TEL: (908) 996-6841  
FAX: (908) 996-3891



EUROPE  
TEL: +44 870 240 0249  
FAX: +44 871 919 6033  
[europa@arieselec.com](mailto:europa@arieselec.com)

10016  
REV.C