

Material:

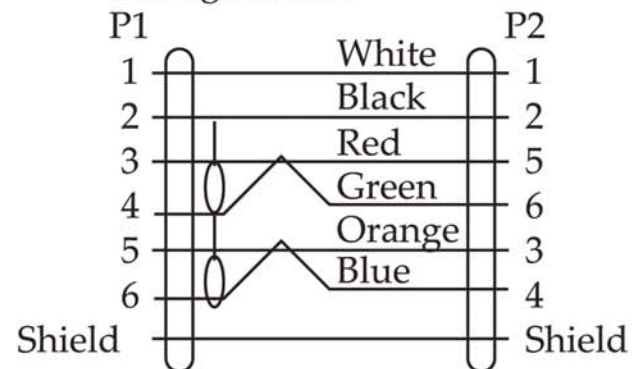
- 1.Cable: IEEE 1394(UL20276)
 (#28x1P+AL/MY+B)x2+(#22x2C)+AL/MY+B.O.D:6.0
- 2.Connector:IEEE 1394 6PIN Plug

Note:

- 1.Total Length: See Chart*
- 2.Color: Black
- 3.Molded Type

Item No.	Length
AK-1394-10	1000±50mm
AK-1394-18	1800±50mm
AK-1394-30	3000±50mm
AK-1394-50	5000±50mm

Configuration:



ITEM NO	AK-1394-XX-R
TITLE	IEEE 1394 Cable, 6-Pin, Male to Male

ASSMANN
 Electronics, Inc.

1840 W. Drake Drive, Suite 101 - Tempe, AZ 85283
 Toll Free: 1-877-277-6266 Email: info@usa-assmann.com

THIS DRAWING IS UNPUBLISHED
 © Copyright 2008 by Assmann Electronic Components
 All International Rights Reserved