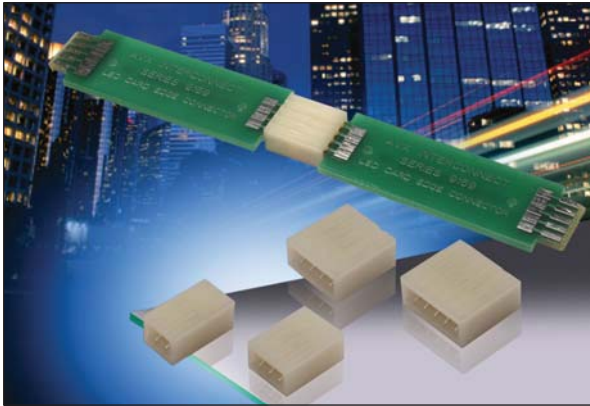


One Piece Card Edge



Series 00-9159



The 9159 series of Board-to-Board interconnect system allows two PCB's to be mated end-to-end creating strips of LED lighting. Designed specifically for the unique Solid State Lighting (SSL) market requiring coplanar (horizontal-to-horizontal) PCB mating. The 1-Piece Card Edge connector was developed to provide a reliable, low cost and simple means of connecting multiple PCB's together. The single stamped contact has dual contact beams to guarantee a high contact force on standard 1.6mm PCB's. These connectors are available in 2 through 5 positions and are on 2.0mm pitch centers to provide a 3 amp continuous rating.

APPLICATIONS

- Coplanar PCB mating in SSL products
- LED linear lighting strips

FEATURES AND BENEFITS

- Dual contacts provide positive contact force for enhanced reliability
- Mates with standard $1.6 \pm 0.15\text{mm}$ PCB on 2.0mm pad pitch
- 3 amp current rating for high current applications
- Available in white: supports SSL market preferences

ELECTRICAL

- Current Rating: 3 Amps / Contact
- Voltage Rating: 250 VAC

ENVIRONMENTAL

- Operating Temperature: -55°C to $+125^{\circ}\text{C}$

MECHANICAL

- Insulator Material: Nylon 46: UL94HB
- Contact Material: Phosphor Bronze
- Plating: Tin over Nickel
- Durability: 5 Cycles

HOW TO ORDER

00
Prefix

9159
Series

XXX
Number of Ways

Code	No of Ways	Details
002	2	Page 66
003	3	Page 67
004	4	Page 68
005	5	Page 69

0
Single Part PCB Strip Connector

01
PCB Thickness
01 = 1.60 ± 0.15

1
Insulator Color

Code	Color	Application
1	White	Lighting

06
Plating Option
06 = Pure Tin all over

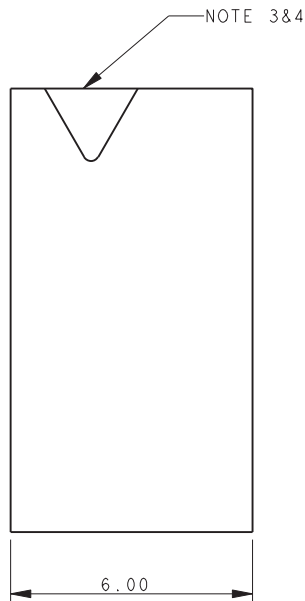
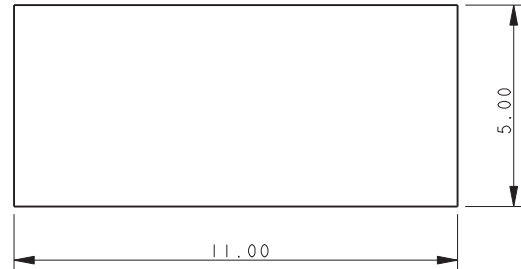
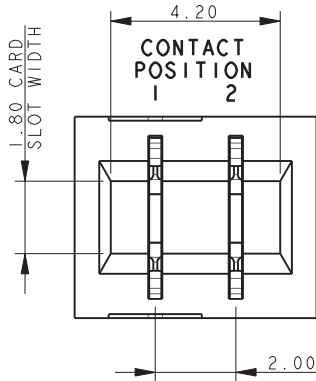


One Piece Card Edge



Series 00-9159

2 WAY SINGLE PART PCB STRIP CONNECTOR

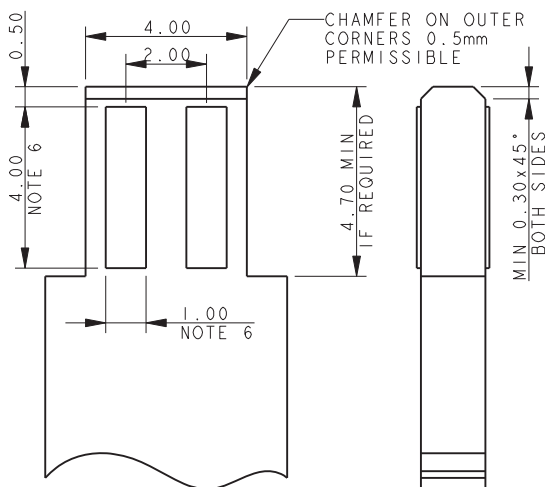


NOTES:

1. FOR MORE INFORMATION REFER TO PRODUCT SPEC 201-01-118.
2. DIMENSIONS ARE REFERENCE DIMENSIONS UNLESS TOLERANCED.
3. ARROW TO INDICATE CONTACT POSITION 1.
4. INSULATOR MATERIAL: NYLON 46, UL94 HB, COLOR SEE PAGE 65.
5. CONTACT MATERIAL: COPPER ALLOY, TIN PLATED ALL OVER.
6. PCB PAD, TIN PLATED.

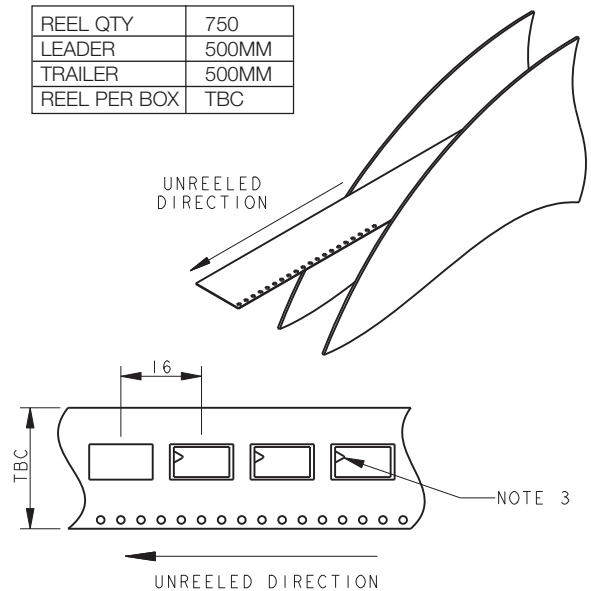
2 WAY PCB BOARD LAYOUT

THICKNESS 1.60 ± 0.15



PACKING DETAILS

REEL QTY	750
LEADER	500MM
TRAILER	500MM
REEL PER BOX	TBC

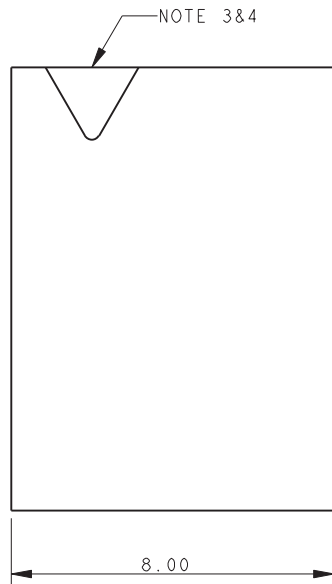
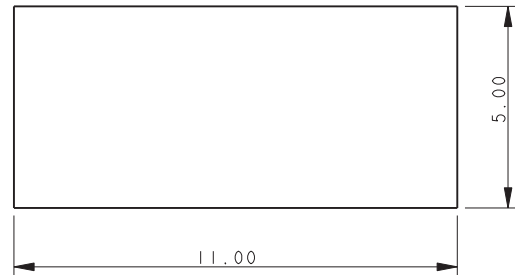
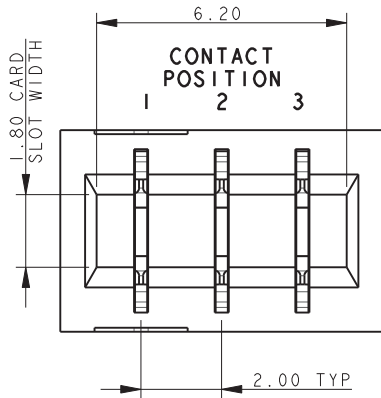


One Piece Card Edge

Series 00-9159



3 WAY SINGLE PART PCB STRIP CONNECTOR

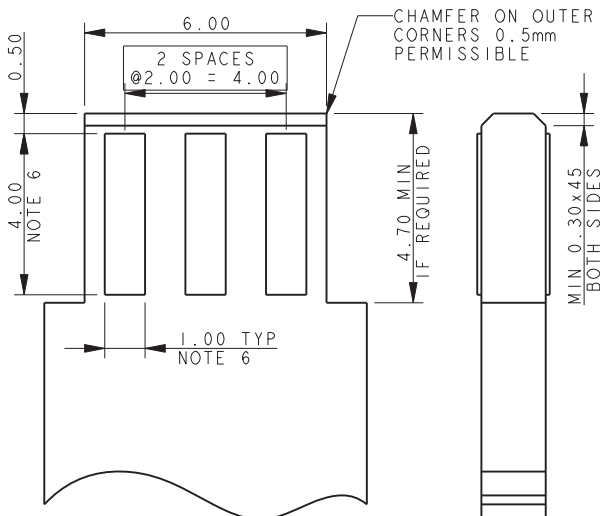


NOTES:

1. FOR MORE INFORMATION REFER TO PRODUCT SPEC 201-01-118.
2. DIMENSIONS ARE REFERENCE DIMENSIONS UNLESS TOLERANCED.
3. ARROW TO INDICATE CONTACT POSITION 1.
4. INSULATOR MATERIAL: NYLON 46, UL94 HB, COLOR SEE PAGE 65.
5. CONTACT MATERIAL: COPPER ALLOY, TIN PLATED ALL OVER.
6. PCB PAD, TIN PLATED.

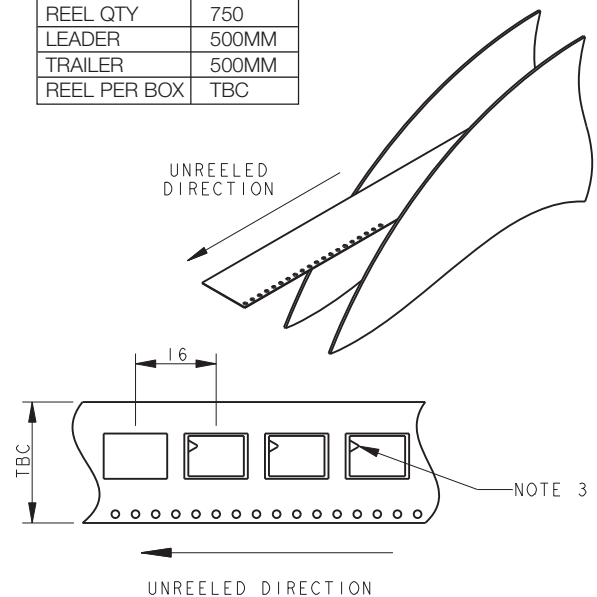
3 WAY PCB BOARD LAYOUT

THICKNESS 1.60 ± 0.15



PACKING DETAILS

REEL QTY	750
LEADER	500MM
TRAILER	500MM
REEL PER BOX	TBC

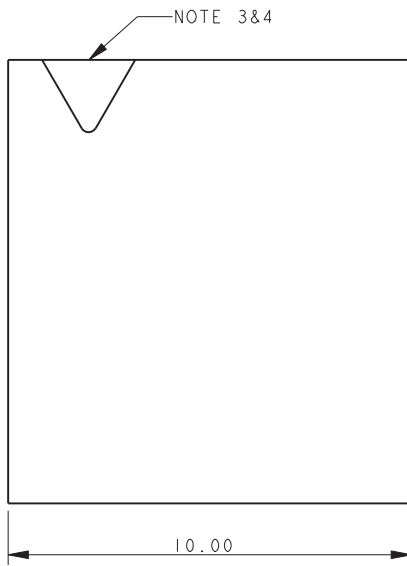
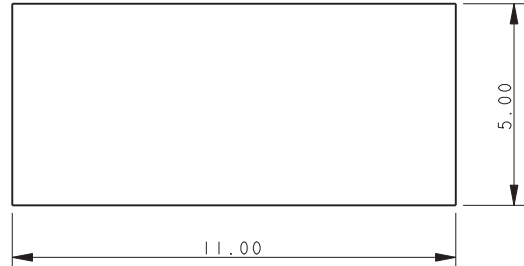
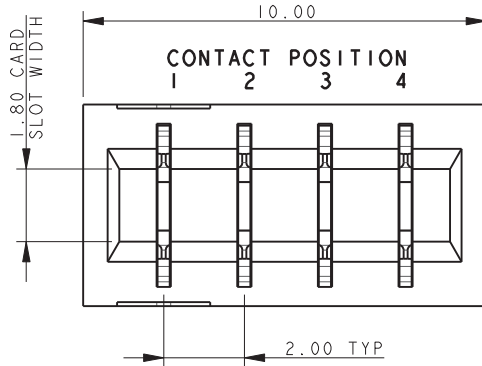


One Piece Card Edge

Series 00-9159



4 WAY SINGLE PART PCB STRIP CONNECTOR

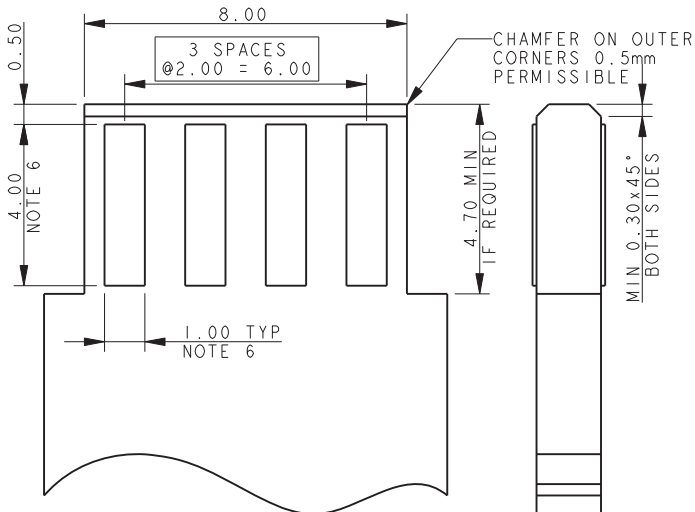


NOTES:

1. FOR MORE INFORMATION REFER TO PRODUCT SPEC 201-01-118.
2. DIMENSIONS ARE REFERENCE DIMENSIONS UNLESS TOLERANCED.
3. ARROW TO INDICATE CONTACT POSITION 1.
4. INSULATOR MATERIAL: NYLON 46, UL94 HB, COLOR SEE PAGE 65.
5. CONTACT MATERIAL: COPPER ALLOY, TIN PLATED ALL OVER.
6. PCB PAD, TIN PLATED.

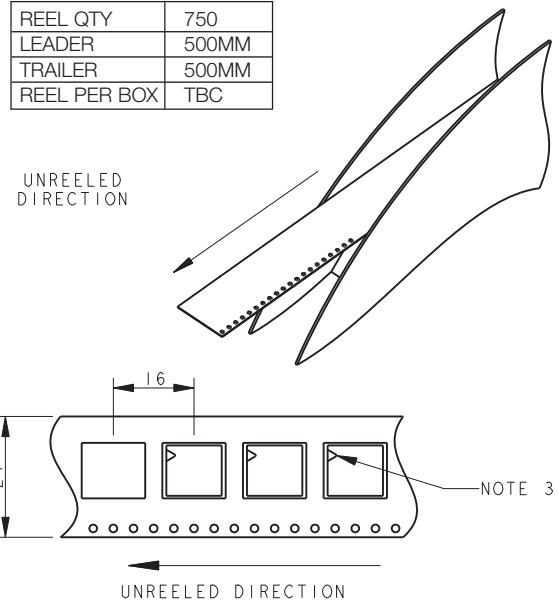
4 WAY PCB BOARD LAYOUT

THICKNESS 1.60 ± 0.15



PACKING DETAILS

REEL QTY	750
LEADER	500MM
TRAILER	500MM
REEL PER BOX	TBC

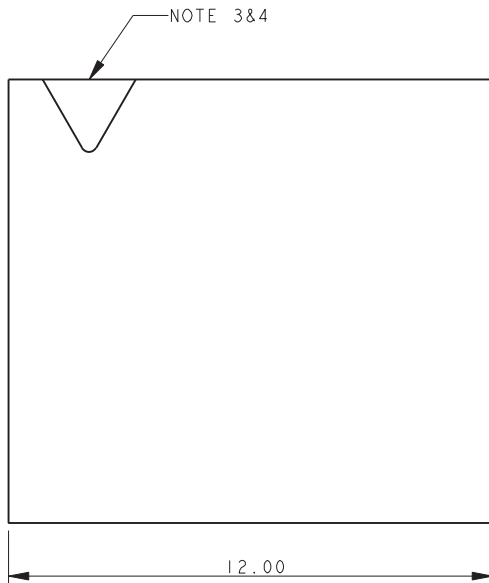
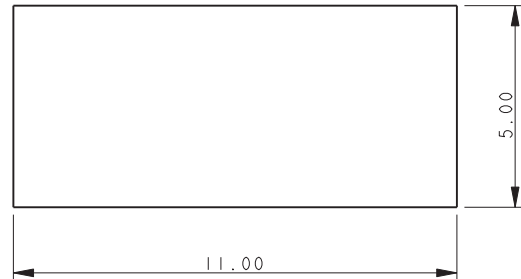
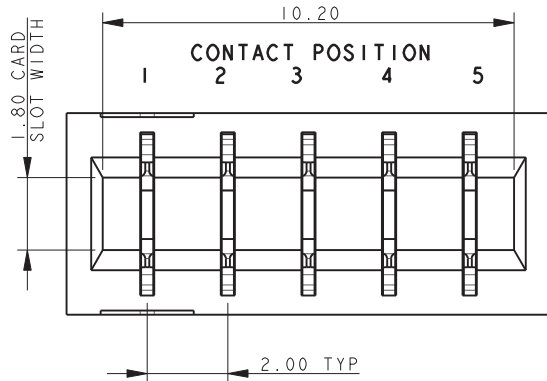


One Piece Card Edge



Series 00-9159

5 WAY SINGLE PART PCB STRIP CONNECTOR

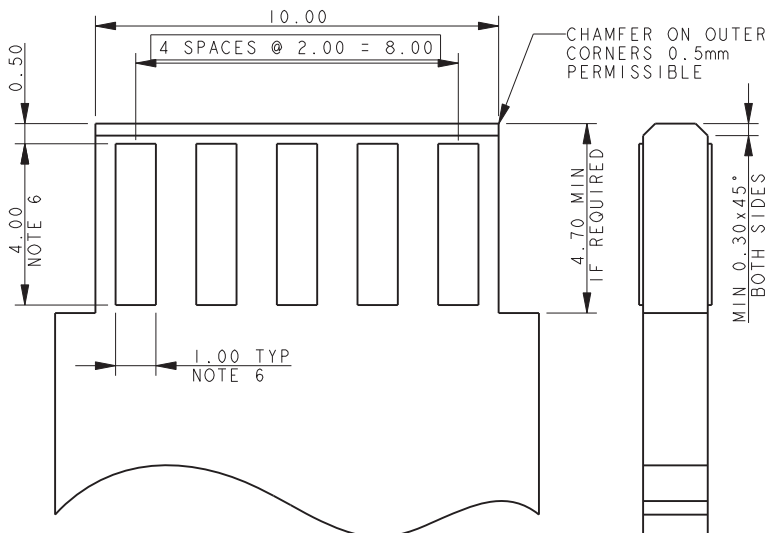


NOTES:

1. FOR MORE INFORMATION REFER TO PRODUCT SPEC 201-01-118.
2. DIMENSIONS ARE REFERENCE DIMENSIONS UNLESS TOLERANCED.
3. ARROW TO INDICATE CONTACT POSITION 1.
4. INSULATOR MATERIAL: NYLON 46, UL94 HB, COLOR SEE PAGE 65.
5. CONTACT MATERIAL: COPPER ALLOY, TIN PLATED ALL OVER.
6. PCB PAD, TIN PLATED.

5 WAY PCB BOARD LAYOUT

THICKNESS 1.60 ± 0.15



PACKING DETAILS

REEL QTY	750
LEADER	500MM
TRAILER	500MM
REEL PER BOX	TBC

