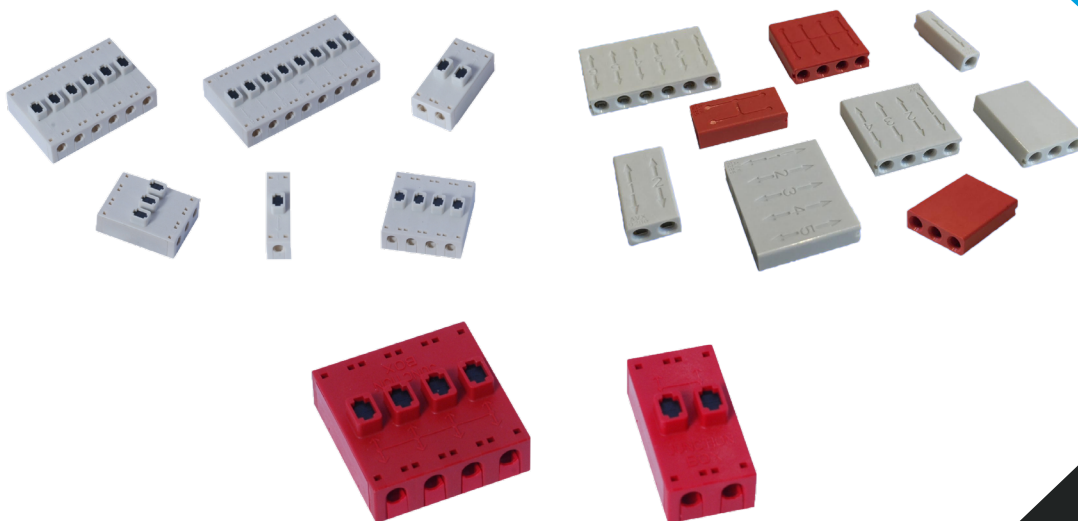




Wire-to-Wire Connectors



IMPORTANT INFORMATION/DISCLAIMER

All product specifications, statements, information and data (collectively, the “Information”) in this datasheet or made available on the website are subject to change. The customer is responsible for checking and verifying the extent to which the Information contained in this publication is applicable to an order at the time the order is placed. All Information given herein is believed to be accurate and reliable, but it is presented without guarantee, warranty, or responsibility of any kind, expressed or implied.

Statements of suitability for certain applications are based on AVX’s knowledge of typical operating conditions for such applications, but are not intended to constitute and AVX specifically disclaims any warranty concerning suitability for a specific customer application or use.

ANY USE OF PRODUCT OUTSIDE OF SPECIFICATIONS OR ANY STORAGE OR INSTALLATION INCONSISTENT WITH PRODUCT GUIDANCE VOIDS ANY WARRANTY.

The Information is intended for use only by customers who have the requisite experience and capability to determine the correct products for their application. Any technical advice inferred from this Information or otherwise provided by AVX with reference to the use of AVX’s products is given without regard, and AVX assumes no obligation or liability for the advice given or results obtained.

Although AVX designs and manufactures its products to the most stringent quality and safety standards, given the current state of the art, isolated component failures may still occur. Accordingly, customer applications which require a high degree of reliability or safety should employ suitable designs or other safeguards (such as installation of protective circuitry or redundancies) in order to ensure that the failure of an electrical component does not result in a risk of personal injury or property damage.

Unless specifically agreed to in writing, AVX has not tested or certified its products, services or deliverables for use in high risk applications including medical life support, medical device, direct physical patient contact, water treatment, nuclear facilities, weapon systems, mass and air transportation control, flammable environments, or any other potentially life critical uses. Customer understands and agrees that AVX makes no assurances that the products, services or deliverables are suitable for any high-risk uses. Under no circumstances does AVX warrant or guarantee suitability for any customer design or manufacturing process.

Although all product–related warnings, cautions and notes must be observed, the customer should not assume that all safety measures are indicated or that other measures may not be required.

WIRE-TO-WIRE CONNECTORS



Table of Contents

THRU-WIRE CONNECTORS 18-26 AWG: 00-9286

General Information	1
1 Position	2
2 Position	3
3 Position	4
4 Position	5
6 Position	6
8 Position	7

REDUCED THRU WIRE CONNECTOR 18-24 AWG: 9286-200

General Information	8
1 Position	9
2 Position	10
3 Position	11
4 Position	12
5 Position	13
6 Position	14
Wire Trim	15

JUNCTION BOX CONNECTORS 18-26 AWG: 00-9286

General Information	16
4 Position	17
6 Position	18
8 Position	19

REDUCED JUNCTION BOX CONNECTORS 18-24 AWG: 9286-250

General Information	20
4 Position	21
6 Position	22
8 Position	23

WIRE INSERTION/REMOVAL PROCESS25

ADHESIVE MOUNTING TAPE.....26

NOTICE: Specifications are subject to change without notice. Contact your nearest AVX Sales Office for the latest specifications. All statements, information and data given herein are believed to be accurate and reliable, but are presented without guarantee, warranty, or responsibility of any kind, expressed or implied. Statements or suggestions concerning possible use of our products are made without representation or warranty that any such use is free of patent infringement and are not recommendations to infringe any patent. The user should not assume that all safety measures are indicated or that other measures may not be required. Specifications are typical and may not apply to all applications.

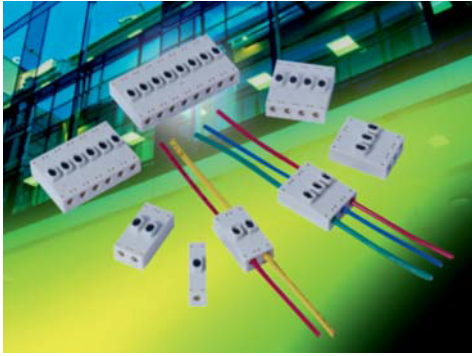


The Important Information/Disclaimer is incorporated in these specifications by reference and should be reviewed in full before placing any order.

POKE-HOME THRU-WIRE CONNECTORS 18-26 AWG: 00-9286



General Information



Wire-to-Wire connectors have been used in the industrial market for years with traditional 2-Piece (plug and socket) connector systems which require crimp and poke wire terminations to connect electrical or electronic components. In the general wiring market (2-3 wires) there are a number of connector styles available, however, they are limited in sizes, expanded wire gauges and the ability to reuse them when repair or replacement is needed. Based on the existing success of "Poke-Home" wire-to-board connectors, AVX has developed a new family of wire-to-wire connectors to meet the cost, flexibility and ease-of-use targets in industrial wiring applications.

The 9286 series of Thru-Wire connectors provides a high spring force Beryllium Copper contact system that uses simple push button activation to insert and remove individual stripped wires in the connection process. There is a forward and aft shrouded (to prevent accidental activation) push button for each wire connection that can be operated individually or simultaneously with a simple plastic tool or ball point pen tip. Up to eight wires can be electrically connected in a single connector body which will support any combination of wire gauges from 18AWG up to 26 AWG. Wires can be removed or replaced up to 5 times so there is no need to replace the connector in a new installation.

APPLICATIONS

- Industrial/Machine Control; motors, solenoids, PLC's, pumps, valves, sensors, fans...
- Commercial/Building; fixtures, fire, security, surveillance, blinds, sensors, controls...
- Commercial/Industrial LED; retail, office, manufacturing, signage, displays...
- Application notes; refer to 201-01-135

FEATURES AND BENEFITS

- High spring force top contact provides a lance type retention to capture and retain the wire
- Shrouded dual push button activation for easy wire insertion/removal
- Accepts 18-26AWG Solid and Stranded wires; any combination
- Expanded size offering to maximize application potential; 1, 2, 3, 4, 6 & 8 positions
- Optional mounting tape to secure in panel mounting applications
- Molded in position numbers and schematic for easy identification

ELECTRICAL

- Current Rating: 8 Amps / Contact
- Voltage Rating: 300 VAC

ENVIRONMENTAL

- Operating Temperature: -40°C to +125°C

MECHANICAL

- Insulator Material: Glass-Filled Nylon 46; UL94V0
- Contact Material: Beryllium Copper / Phosphor Bronze
- Plating: Tin over Nickel
- Replacibility: 5 Cycles

HOW TO ORDER

00
Prefix

9286
Series

00X
Number of Ways

Code	No of Ways	Details
001	1	Page 3
002	2	Page 4
003	3	Page 5
004	4	Page 6
006	6	Page 7
008	8	Page 8

021
Wire Size

Code	Wire Gauge	Max Conductor	Max Insulation
021	18 to 26 AWG	1.05mm Diameter	2.10mm Diameter

9
Color Options
9 = UL White

06
Plating Option
06 = Pure Tin all over



Certification: UL File #E90723



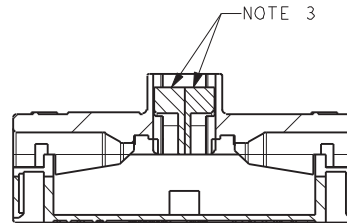
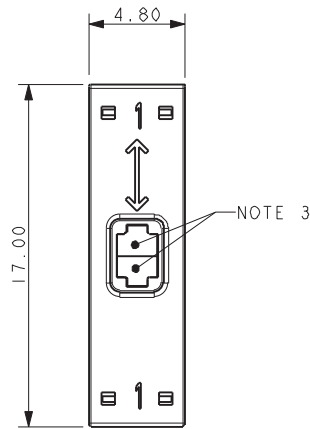
The Important Information/Disclaimer is incorporated in these specifications by reference and should be reviewed in full before placing any order.

POKE-HOME THRU-WIRE CONNECTORS 18-26 AWG: 00-9286

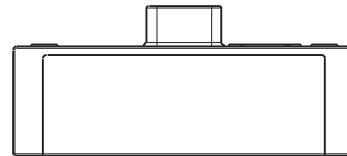
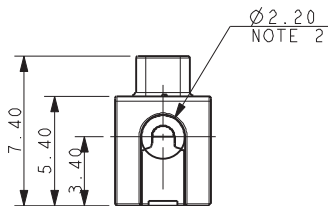


1 Position

18-26 AWG 1 WAY POKE-HOME – THRU WIRE



SECTION ON A-A



NOTE 8

PACKING DETAILS

Pack 400 pieces in a clear plastic bag.

NOTES:

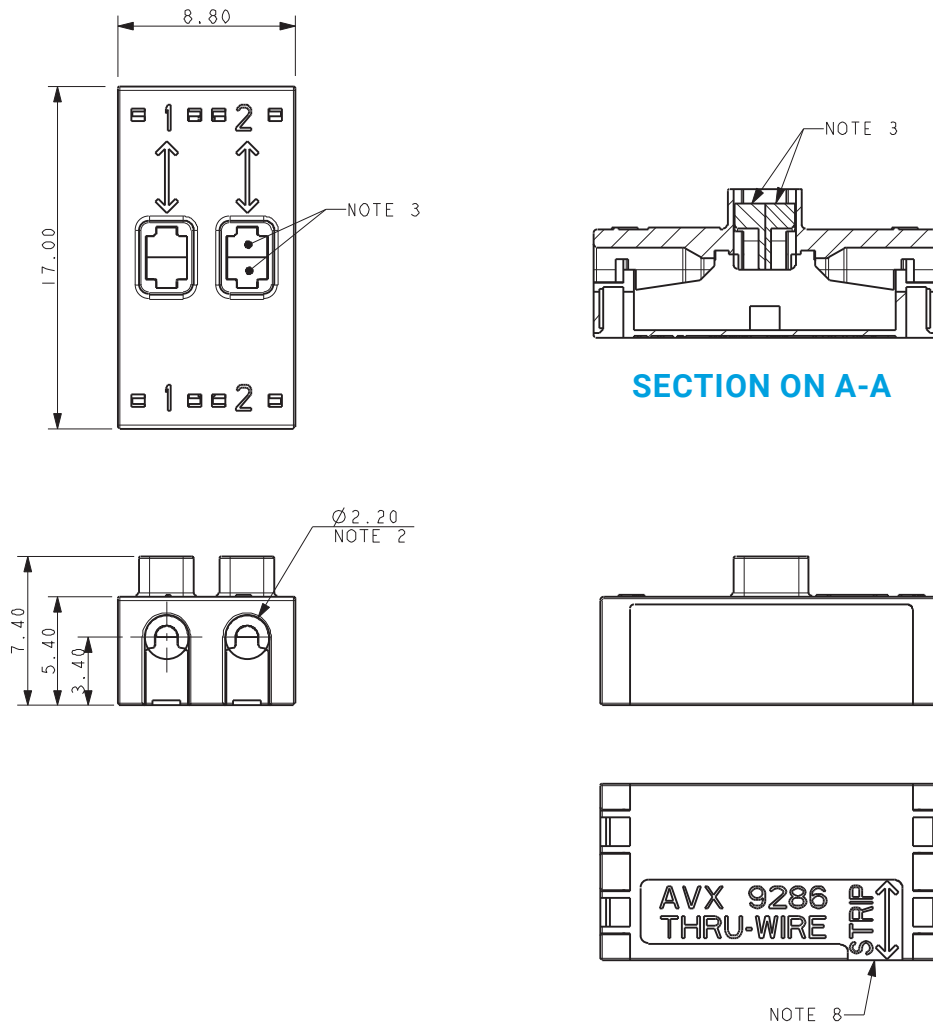
1. 1 WAY WIRE TO WIRE "POKE-HOME" CONNECTOR, BUTTON OPERATED.
2. WIRE SIZES 18-26 AWG, MAXIMUM INSULATION DIAMETER 2.10MM.
3. SPLIT BUTTON ALLOWS THE WIRES TO BE INSERTED/WITHDRAWN INDEPENDENTLY.
4. INSULATION MATERIAL: NYLON 46, GLASS FILLED, UL94 V-0. COLOR SEE PAGE 2.
5. CONTACT MATERIAL: TIN PLATED COPPER ALLOY.
6. FOR FULL SPECIFICATION REFER TO ELCO SPECIFICATION 201-01-132.
FOR APPLICATION NOTES REFER TO ELCO SPECIFICATION 201-01-135.
7. GENERAL TOLERANCE ± 0.20 MM.
8. WIRE STRIP LENGTH GUIDE, SEE PAGE 13.
9. ADHESIVE STRIP FOR PANEL MOUNTING REFER TO PAGE 14.
10. FOR UL PRODUCT CODES UL REFERENCE E90723 (US AND CANADA).

POKE-HOME THRU-WIRE CONNECTORS 18-26 AWG: 00-9286



2 Position

18-26 AWG 2 WAY POKE-HOME – THRU WIRE



PACKING DETAILS

Pack 400 pieces in a clear plastic bag.

NOTES:

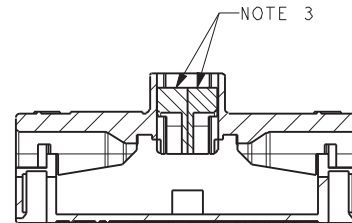
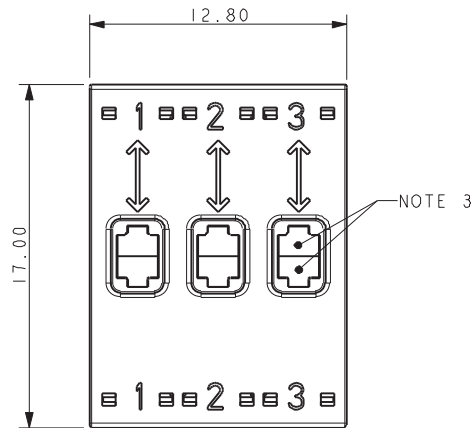
1. 2 WAY WIRE TO WIRE "POKE-HOME" CONNECTOR, BUTTON OPERATED.
2. WIRE SIZES 18-26 AWG, MAXIMUM INSULATION DIAMETER 2.10MM.
3. SPLIT BUTTON ALLOWS THE WIRES TO BE INSERTED/WITHDRAWN INDEPENDENTLY.
4. INSULATION MATERIAL: NYLON 46, GLASS FILLED, UL94 V-0. COLOR SEE PAGE 2.
5. CONTACT MATERIAL: TIN PLATED COPPER ALLOY.
6. FOR FULL SPECIFICATION REFER TO ELCO SPECIFICATION 201-01-132.
FOR APPLICATION NOTES REFER TO ELCO SPECIFICATION 201-01-135.
7. GENERAL TOLERANCE ± 0.20 MM.
8. WIRE STRIP LENGTH GUIDE, SEE PAGE 13.
9. ADHESIVE STRIP FOR PANEL MOUNTING REFER TO PAGE 14.
10. FOR UL PRODUCT CODES UL REFERENCE E90723 (US AND CANADA).

POKE-HOME THRU-WIRE CONNECTORS 18-26 AWG: 00-9286

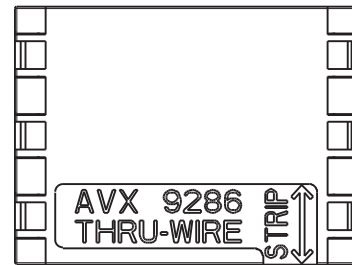
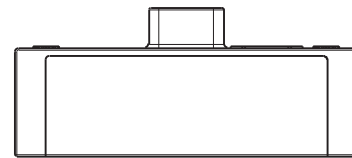
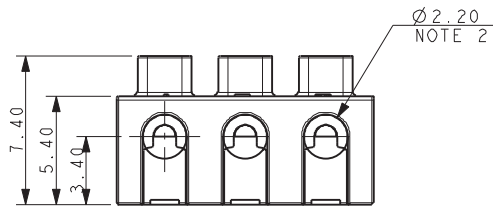


3 Position

18-26 AWG 3 WAY POKE-HOME – THRU WIRE



SECTION ON A-A



NOTE 8

PACKING DETAILS

Pack 400 pieces in a clear plastic bag.

NOTES:

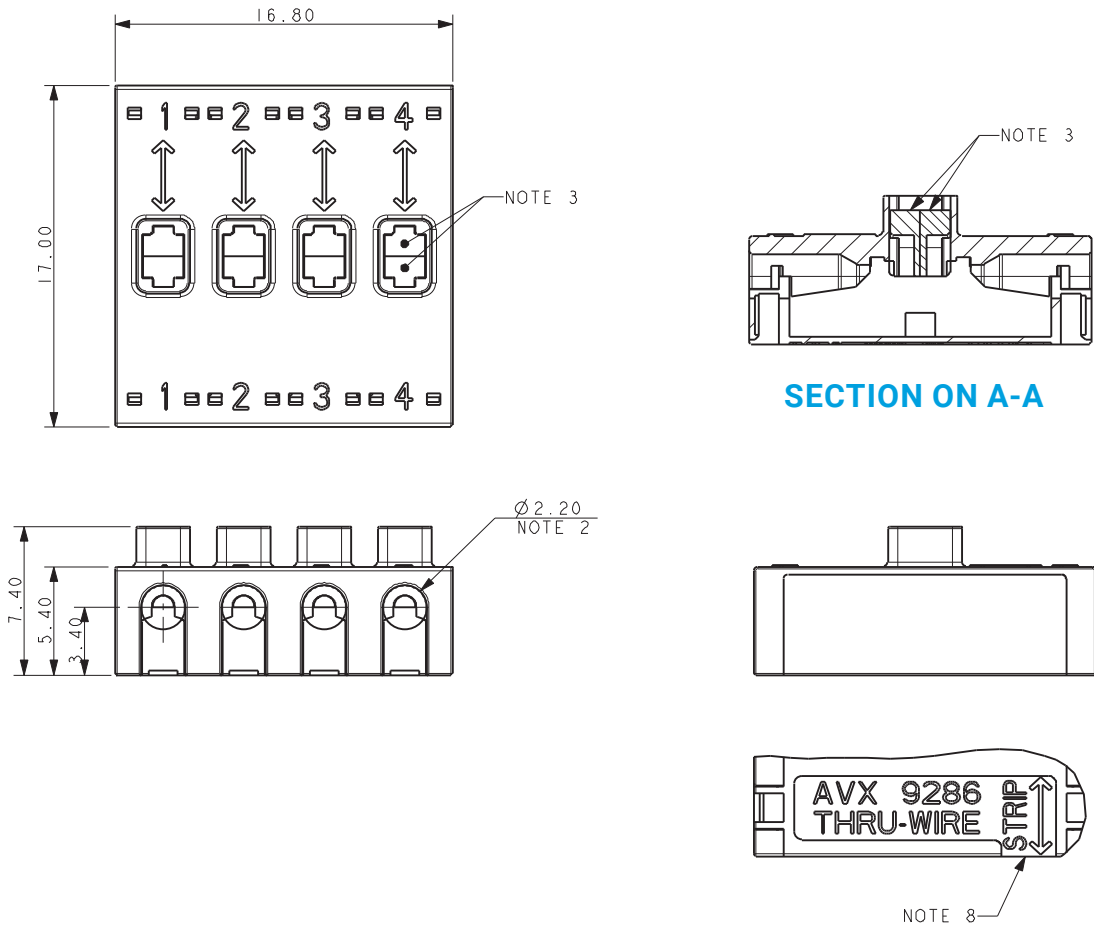
1. 3 WAY WIRE TO WIRE "POKE-HOME" CONNECTOR, BUTTON OPERATED.
2. WIRE SIZES 18-26 AWG, MAXIMUM INSULATION DIAMETER 2.10MM.
3. SPLIT BUTTON ALLOWS THE WIRES TO BE INSERTED/WITHDRAWN INDEPENDENTLY.
4. INSULATION MATERIAL: NYLON 46, GLASS FILLED, UL94 V-0. COLOR SEE PAGE 2.
5. CONTACT MATERIAL: TIN PLATED COPPER ALLOY.
6. FOR FULL SPECIFICATION REFER TO ELCO SPECIFICATION 201-01-132.
FOR APPLICATION NOTES REFER TO ELCO SPECIFICATION 201-01-135.
7. GENERAL TOLERANCE ± 0.20 MM.
8. WIRE STRIP LENGTH GUIDE, SEE PAGE 13.
9. ADHESIVE STRIP FOR PANEL MOUNTING REFER TO PAGE 14.
10. FOR UL PRODUCT CODES UL REFERENCE E90723 (US AND CANADA).

POKE-HOME THRU-WIRE CONNECTORS 18-26 AWG: 00-9286



4 Position

18-26 AWG 4 WAY POKE-HOME – THRU WIRE



PACKING DETAILS

Pack 400 pieces in a clear plastic bag.

NOTES:

1. 4 WAY WIRE TO WIRE "POKE-HOME" CONNECTOR, BUTTON OPERATED.
2. WIRE SIZES 18-26 AWG, MAXIMUM INSULATION DIAMETER 2.10MM.
3. SPLIT BUTTON ALLOWS THE WIRES TO BE INSERTED/WITHDRAWN INDEPENDENTLY.
4. INSULATION MATERIAL: NYLON 46, GLASS FILLED, UL94 V-0. COLOR SEE PAGE 2.
5. CONTACT MATERIAL: TIN PLATED COPPER ALLOY.
6. FOR FULL SPECIFICATION REFER TO ELCO SPECIFICATION 201-01-132.
FOR APPLICATION NOTES REFER TO ELCO SPECIFICATION 201-01-135.
7. GENERAL TOLERANCE ± 0.20 MM.
8. WIRE STRIP LENGTH GUIDE, SEE PAGE 13.
9. ADHESIVE STRIP FOR PANEL MOUNTING REFER TO PAGE 14.
10. FOR UL PRODUCT CODES UL REFERENCE E90723 (US AND CANADA).



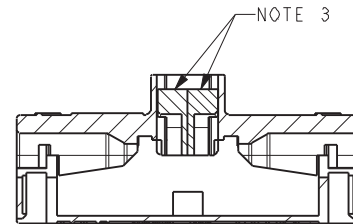
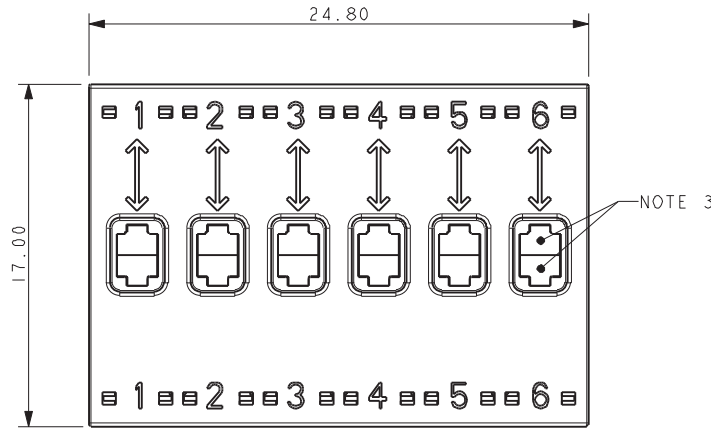
The Important Information/Disclaimer is incorporated in these specifications by reference and should be reviewed in full before placing any order.

POKE-HOME THRU-WIRE CONNECTORS 18-26 AWG: 00-9286

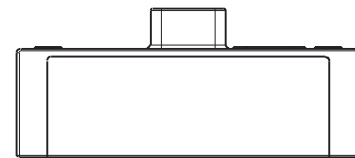
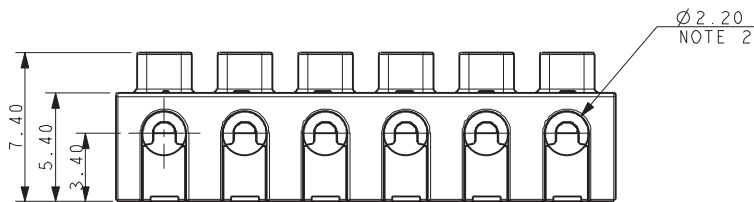


6 Position

18-26 AWG 6 WAY POKE-HOME – THRU WIRE



SECTION ON A-A



NOTE 8

PACKING DETAILS

Pack 400 pieces in a clear plastic bag.

NOTES:

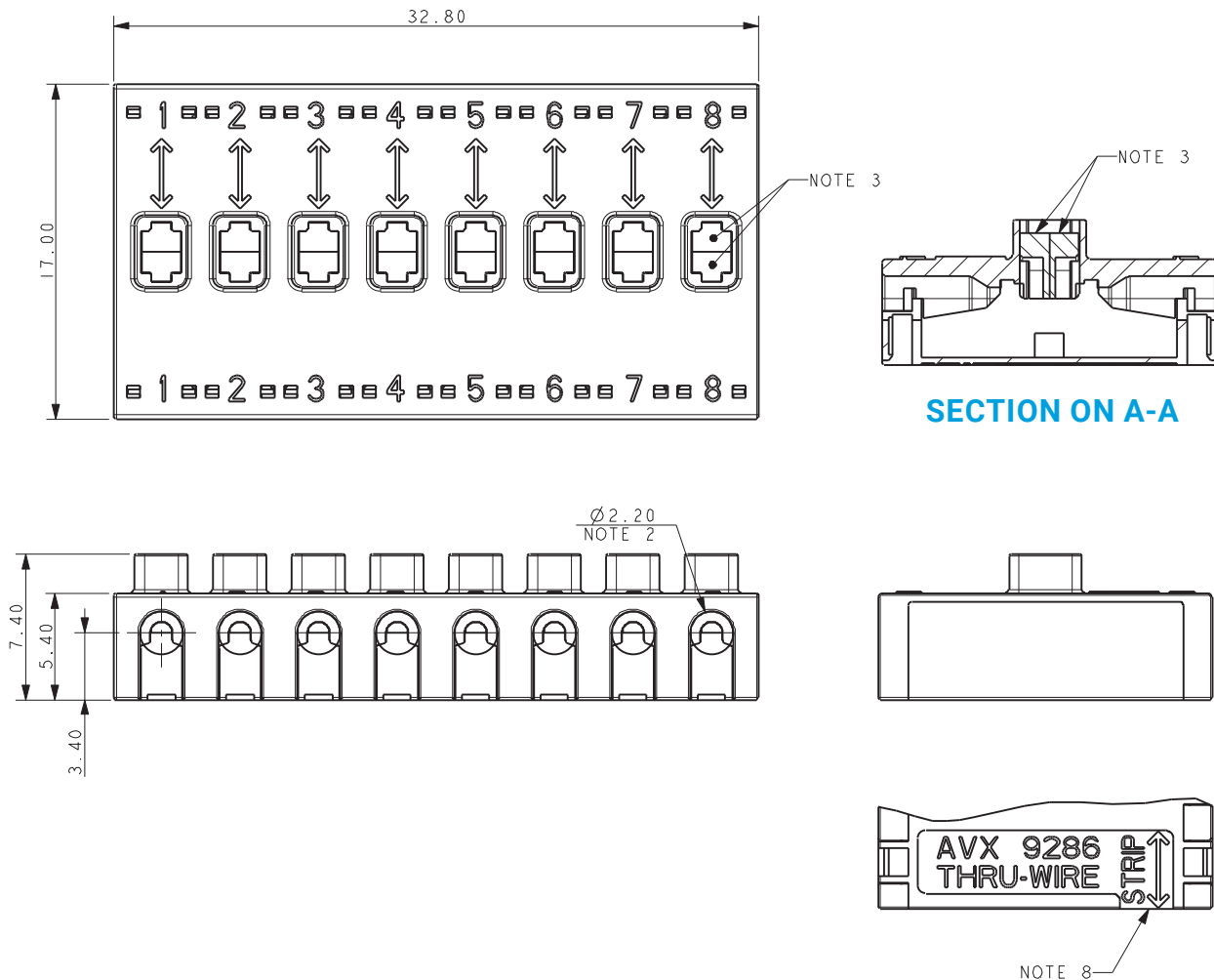
1. 6 WAY WIRE TO WIRE "POKE-HOME" CONNECTOR, BUTTON OPERATED.
2. WIRE SIZES 18-26 AWG, MAXIMUM INSULATION DIAMETER 2.10MM.
3. SPLIT BUTTON ALLOWS THE WIRES TO BE INSERTED/WITHDRAWN INDEPENDENTLY.
4. INSULATION MATERIAL: NYLON 46, GLASS FILLED, UL94 V-0. COLOR SEE PAGE 2.
5. CONTACT MATERIAL: TIN PLATED COPPER ALLOY.
6. FOR FULL SPECIFICATION REFER TO ELCO SPECIFICATION 201-01-132.
FOR APPLICATION NOTES REFER TO ELCO SPECIFICATION 201-01-135.
7. GENERAL TOLERANCE ± 0.20 MM.
8. WIRE STRIP LENGTH GUIDE, SEE PAGE 13.
9. ADHESIVE STRIP FOR PANEL MOUNTING REFER TO PAGE 14.
10. FOR UL PRODUCT CODES UL REFERENCE E90723 (US AND CANADA).

POKE-HOME THRU-WIRE CONNECTORS 18-26 AWG: 00-9286



8 Position

18-26 AWG 8 WAY POKE-HOME – THRU WIRE



PACKING DETAILS

Pack 400 pieces in a clear plastic bag.

NOTES:

1. 8 WAY WIRE TO WIRE "POKE-HOME" CONNECTOR, BUTTON OPERATED.
2. WIRE SIZES 18-26 AWG, MAXIMUM INSULATION DIAMETER 2.10MM.
3. SPLIT BUTTON ALLOWS THE WIRES TO BE INSERTED/WITHDRAWN INDEPENDENTLY.
4. INSULATION MATERIAL: NYLON 46, GLASS FILLED, UL94 V-0. COLOR SEE PAGE 2.
5. CONTACT MATERIAL: TIN PLATED COPPER ALLOY.
6. FOR FULL SPECIFICATION REFER TO ELCO SPECIFICATION 201-01-132.
FOR APPLICATION NOTES REFER TO ELCO SPECIFICATION 201-01-135.
7. GENERAL TOLERANCE ± 0.20 MM.
8. WIRE STRIP LENGTH GUIDE, SEE PAGE 13.
9. ADHESIVE STRIP FOR PANEL MOUNTING REFER TO PAGE 14.
10. FOR UL PRODUCT CODES UL REFERENCE E90723 (US AND CANADA).

REDUCED THRU WIRE CONNECTOR

18-24 AWG: 9286-200



General Information



Wire-to-Wire (WTW) connectors have been used in the industrial market for years with traditional 2-Piece (plug & socket) connector systems. These require crimp and poke wire terminations to connect discrete wires together. While these provide repeated pluggability and latching, they are often size and cost prohibited in applications where the wires may only need to be replaced once or twice during their life.

The reduced 9286-200 series of thru wire connectors expands on the already proven 9286 poke-home discrete WTW family of connectors, but in a smaller package size. The development of an active stainless steel spring contact eliminates the need for push button activation to insert and remove wires which offers a significant cost savings. The mechanical properties of this contact provide maximum wire retention across a broad range of solid and stranded wire gauges, making this connector very versatile in field installations.

APPLICATIONS

- Industrial Machine Controls; motors, drives, solenoids, sensors, fans, pumps, etc...
- Commercial Buildings; controls, security, fire and sensors
- Smart Grid; meters, breakers and panels
- SSL/LED; fixtures, signage and streetlights
- Application notes; refer to 201-01-17

FEATURES AND BENEFITS

- Simple strip and poke-home wire insertion with twist and pull wire extraction
- High spring force stainless steel contact maximizes cost, strength and flexibility
- Accepts 18-24 AWG solid and stranded wires
- Expanded size offering to cover multiple power and signal applications: 1p-6p

ELECTRICAL

- Voltage Rating: 300 VAC
- Current Rating: See matrix below

ENVIRONMENTAL

- Operating Temperature: -40°C to +130°C

MECHANICAL

- Insulator Material: Glass-Filled Nylon 46; UL94V0
- Fixed Contact Material: Copper Alloy
- Flexing Contact: Stainless Steel
- Fixed Contact Plating; Tin over Nickel
- Durability: 5 Cycles

HOW TO ORDER

00
Prefix

9286
Series

00X
Number of Ways

Code	No of Ways	Details
001	1	Page 10
002	2	Page 11
003	3	Page 12
004	4	Page 13
005	5	Page 14
006	6	Page 15

203
Wire Size

Code	Accepted Wire Gauge	Max Insulation
203	18 – 24 AWG Solid or Stranded	2.10mm Diameter

X
Insulator Color
9 = UL White

06
Plating Option
06 = Tin all over



CURRENT RATING

Wire gauge	Maximum approved current (amps)	
	UL (USA)	UL (Canada)
18AWG	8	8
20AWG	6	4
22AWG	5	4
24AWG	3	2

UL File #E90723



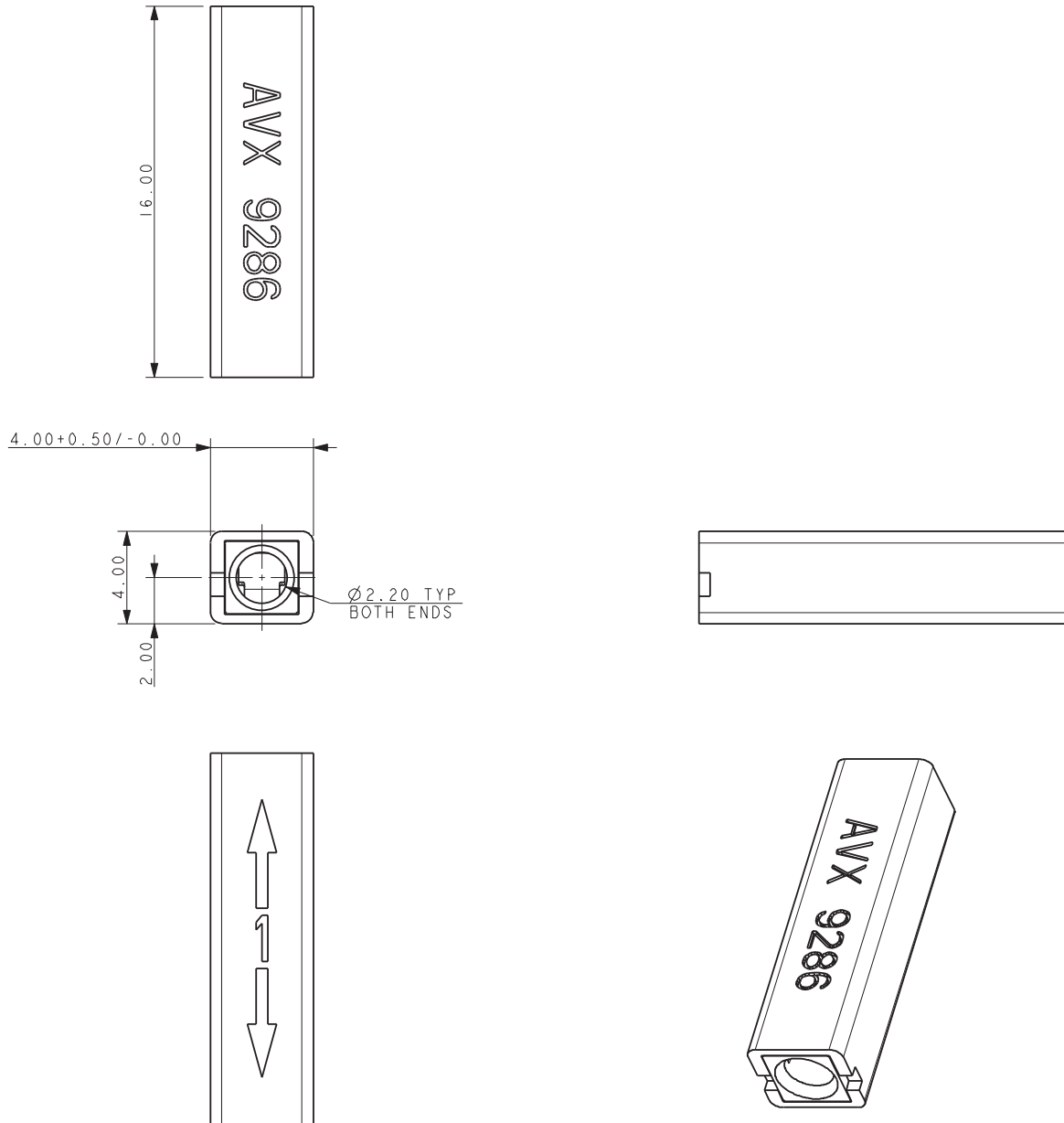
REDUCED THRU WIRE CONNECTOR

18-24 AWG: 9686-200

1 Position



POKE HOME 1 WAY – THRU WIRE 18AWG TO 24AWG



NOTES:

1. 1 WAY WIRE TO WIRE POKE HOME CONNECTOR.
2. WIRE CONDUCTOR SIZES 18-24AWG (SOLID OR STRANDED).
MAXIMUM INSULATION 2.10MM DIAMETER.
3. INSULATION MATERIAL: NYLON 46, GLASS FILLED, UL94 V-0, COLOR SEE PAGE 9.
4. CONTACT MATERIAL: FIXED CONTACT: TIN PLATED COPPER ALLOY.
FLEXING CONTACT: STAINLESS STEEL.
5. PACKING IN BAGS, 1000 PIECES PER BAG.
6. FOR FURTHER DETAILS REFER TO SPECIFICATION 201-01-171 AND APPLICATION NOTES 201-01-172.
7. UL APPROVED, UL FILE REFERENCE E90723 (US AND CANADA).

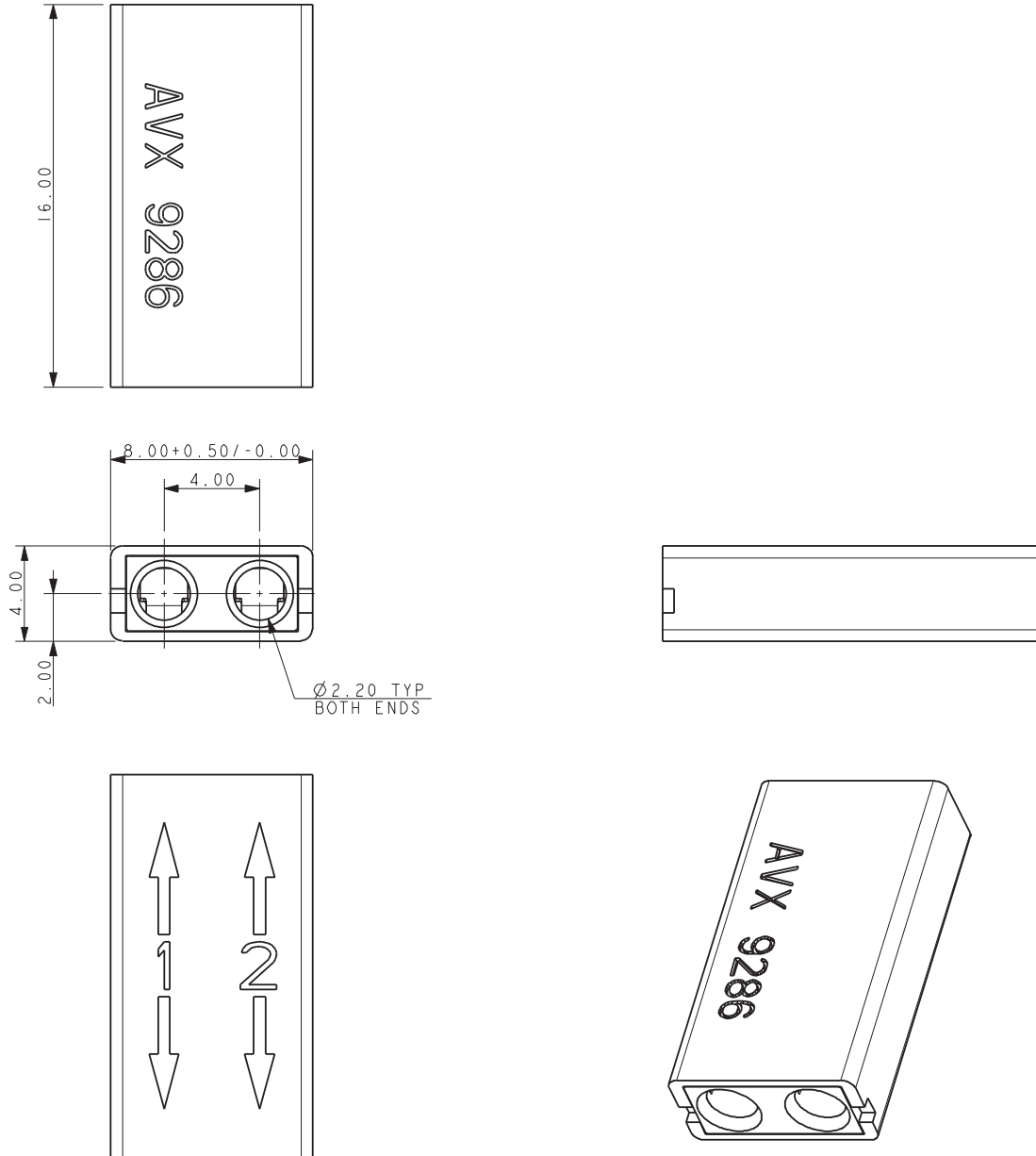
REDUCED THRU WIRE CONNECTOR

18-24 AWG: 9686-200

2 Position



POKE HOME 2 WAY – THRU WIRE 18AWG TO 24AWG



NOTES:

1. 2 WAY WIRE TO WIRE POKE HOME CONNECTOR.
2. WIRE CONDUCTOR SIZES 18-24AWG (SOLID OR STRANDED).
MAXIMUM INSULATION 2.10MM DIAMETER.
3. INSULATION MATERIAL: NYLON 46, GLASS FILLED, UL94 V-0, COLOR SEE PAGE 1.
4. CONTACT MATERIAL: FIXED CONTACT: TIN PLATED COPPER ALLOY.
FLEXING CONTACT: STAINLESS STEEL.
5. PACKING IN BAGS, 1000 PIECES PER BAG.
6. FOR FURTHER DETAILS REFER TO SPECIFICATION 201-01-171 AND APPLICATION NOTES 201-01-172.
7. UL APPROVED, UL FILE REFERENCE E90723 (US AND CANADA).

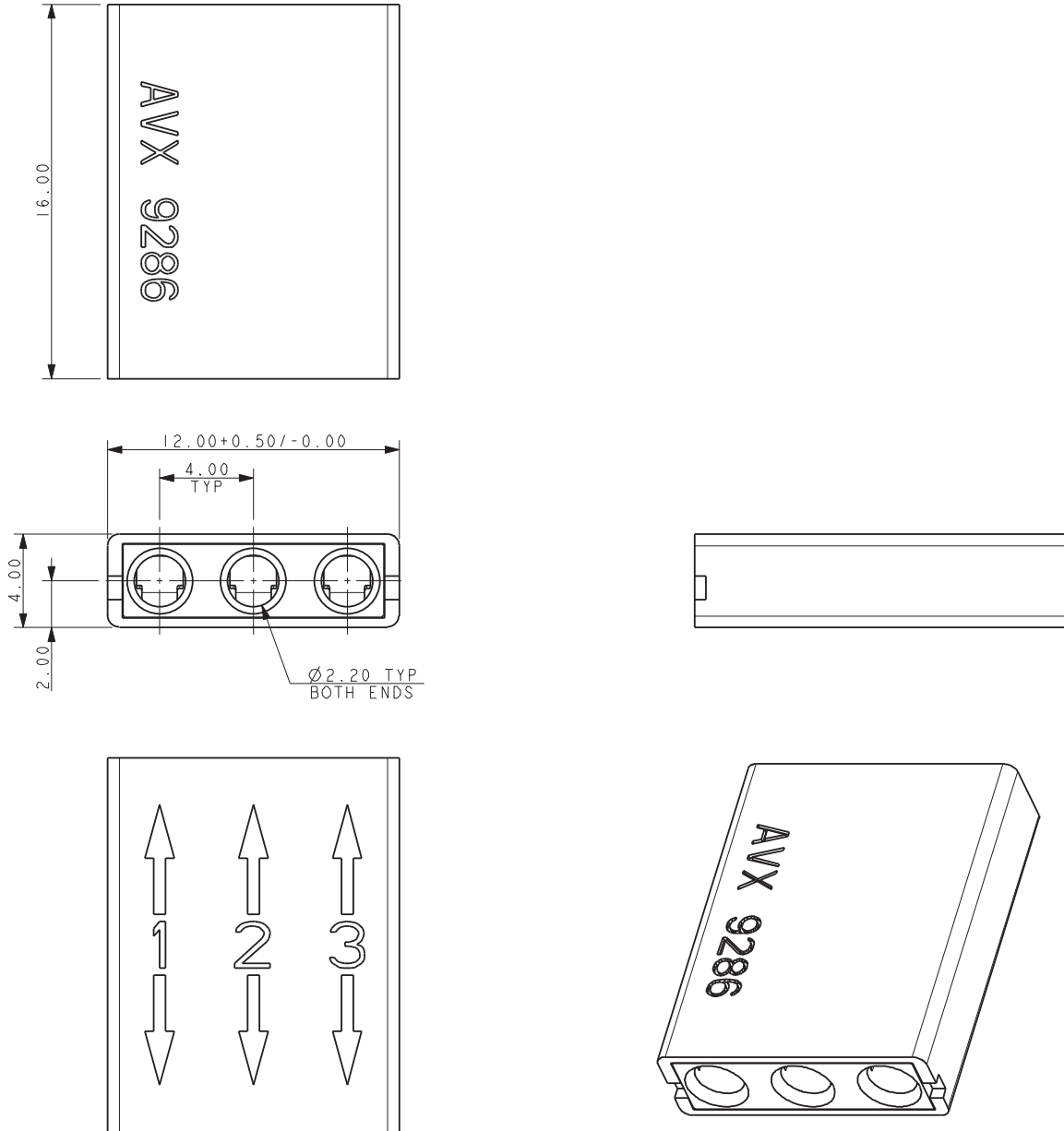
REDUCED THRU WIRE CONNECTOR

18-24 AWG: 9686-200

3 Position



POKE HOME 3 WAY – THRU WIRE 18AWG TO 24AWG



NOTES:

1. 3 WAY WIRE TO WIRE POKE HOME CONNECTOR.
2. WIRE CONDUCTOR SIZES 18-24AWG (SOLID OR STRANDED).
MAXIMUM INSULATION 2.10MM DIAMETER.
3. INSULATION MATERIAL: NYLON 46, GLASS FILLED, UL94 V-0, COLOR SEE PAGE 9.
4. CONTACT MATERIAL: FIXED CONTACT: TIN PLATED COPPER ALLOY.
FLEXING CONTACT: STAINLESS STEEL.
5. PACKING IN BAGS, 1000 PIECES PER BAG.
6. FOR FURTHER DETAILS REFER TO SPECIFICATION 201-01-171 AND APPLICATION NOTES 201-01-172.
7. UL APPROVED, UL FILE REFERENCE E90723 (US AND CANADA).



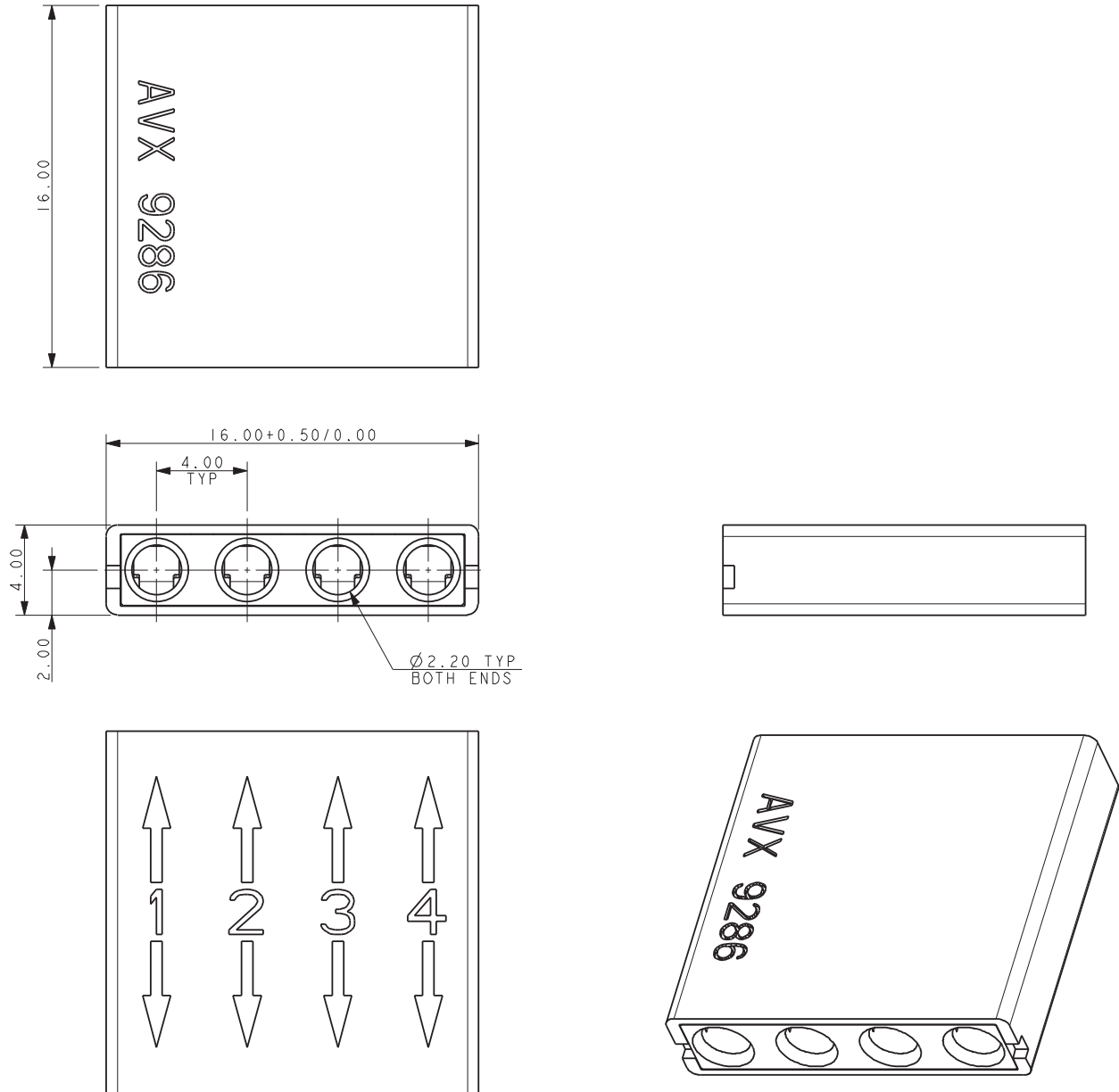
REDUCED THRU WIRE CONNECTOR

18-24 AWG: 9686-200

4 Position



POKE HOME 4 WAY – THRU WIRE 18AWG TO 24AWG



NOTES:

1. 4 WAY WIRE TO WIRE POKE HOME CONNECTOR.
2. WIRE CONDUCTOR SIZES 18-24AWG (SOLID OR STRANDED).
MAXIMUM INSULATION 2.10MM DIAMETER.
3. INSULATION MATERIAL: NYLON 46, GLASS FILLED, UL94 V-0, COLOR SEE PAGE 9.
4. CONTACT MATERIAL: FIXED CONTACT: TIN PLATED COPPER ALLOY.
FLEXING CONTACT: STAINLESS STEEL.
5. PACKING IN BAGS, 1000 PIECES PER BAG.
6. FOR FURTHER DETAILS REFER TO SPECIFICATION 201-01-171 AND APPLICATION NOTES 201-01-172.
7. UL APPROVED, UL FILE REFERENCE E90723 (US AND CANADA).

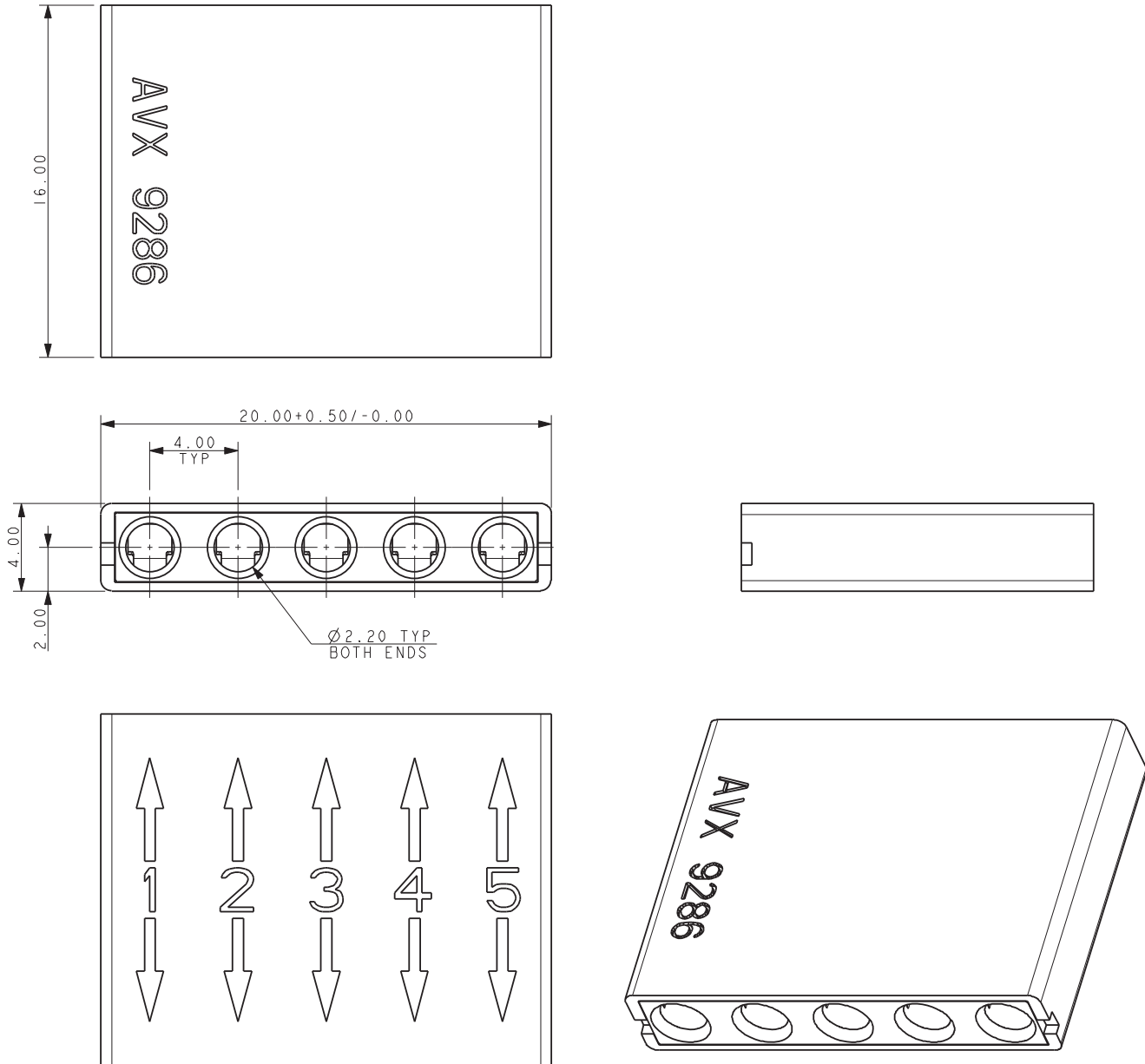
REDUCED THRU WIRE CONNECTOR

18-24 AWG: 9686-200

5 Position



POKE HOME 5 WAY – THRU WIRE 18AWG TO 24AWG



NOTES:

1. 5 WAY WIRE TO WIRE POKE HOME CONNECTOR.
2. WIRE CONDUCTOR SIZES 18-24AWG (SOLID OR STRANDED).
MAXIMUM INSULATION 2.10MM DIAMETER.
3. INSULATION MATERIAL: NYLON 46, GLASS FILLED, UL94 V-0, COLOR SEE PAGE 9.
4. CONTACT MATERIAL: FIXED CONTACT: TIN PLATED COPPER ALLOY.
FLEXING CONTACT: STAINLESS STEEL.
5. PACKING IN BAGS, 1000 PIECES PER BAG.
6. FOR FURTHER DETAILS REFER TO SPECIFICATION 201-01-171 AND APPLICATION NOTES 201-01-172.
7. UL APPROVED, UL FILE REFERENCE E90723 (US AND CANADA).

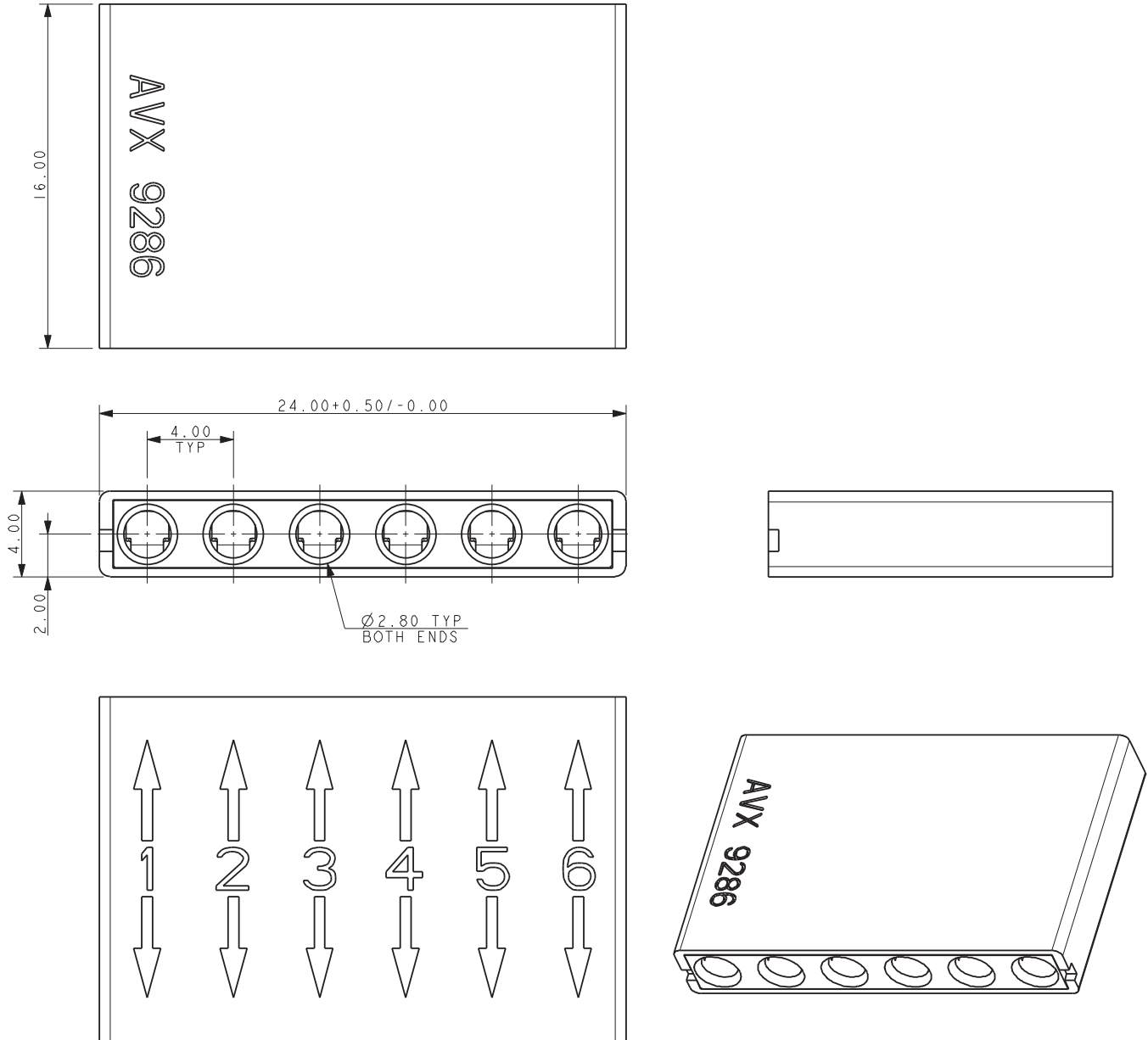
REDUCED THRU WIRE CONNECTOR

18-24 AWG: 9686-200

6 Position



POKE HOME 6 WAY – THRU WIRE 18AWG TO 24AWG



NOTES:

1. 6 WAY WIRE TO WIRE POKE HOME CONNECTOR.
2. WIRE CONDUCTOR SIZES 18-24AWG (SOLID OR STRANDED).
MAXIMUM INSULATION 2.10MM DIAMETER.
3. INSULATION MATERIAL: NYLON 46, GLASS FILLED, UL94 V-0, COLOR SEE PAGE 9.
4. CONTACT MATERIAL: FIXED CONTACT: TIN PLATED COPPER ALLOY.
FLEXING CONTACT: STAINLESS STEEL.
5. PACKING IN BAGS, 1000 PIECES PER BAG.
6. FOR FURTHER DETAILS REFER TO SPECIFICATION 201-01-171 AND APPLICATION NOTES 201-01-172.
7. UL APPROVED, UL FILE REFERENCE E90723 (US AND CANADA).

REDUCED THRU WIRE CONNECTOR

18-24 AWG: 9686-200

Wire Trim

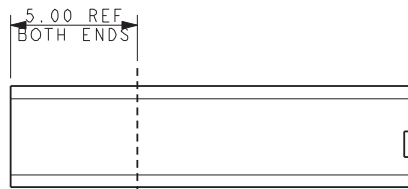


POKE HOME – THRU WIRE WIRE TRIM

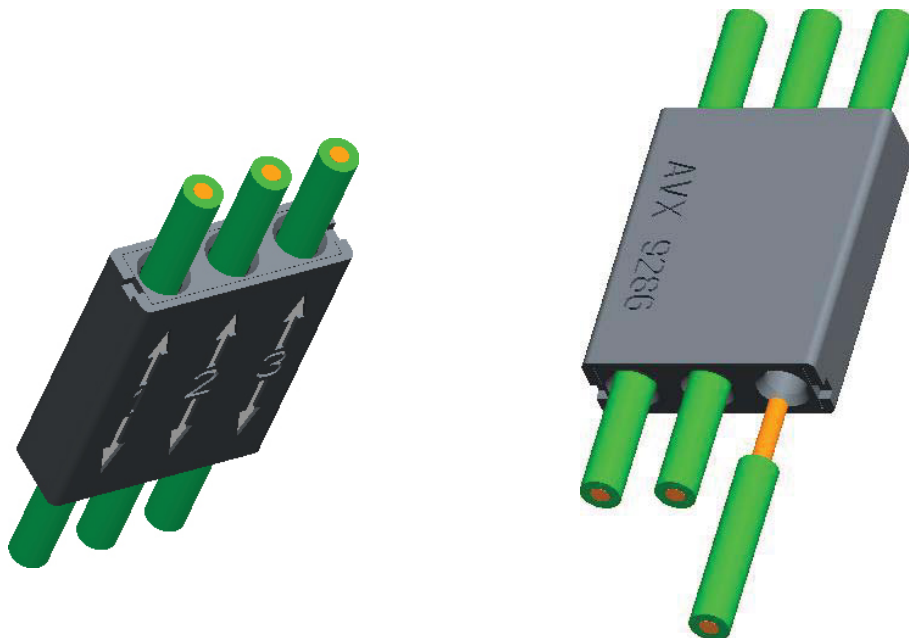


Insulation Diameter	Wire Trim Length X
Up to 2.10 Diameter	4.00 ± 0.50
Above 2.10mm Diameter See Application Notes 201-01-172	7.00 ± 0.50

REST POSITION OF CONTACT TIP



POKE HOME – THRU WIRE ASSEMBLY



FOR FULL ASSEMBLY DETAILS REFER TO APPLICATION NOTE 201-01-172

POKE-HOME JUNCTION BOX CONNECTORS 18-26 AWG: 00-9286



General Information



Wire-to-Wire connectors have been used in the industrial market for years with traditional 2-Piece (plug and socket) connector systems which require crimp and poke wire terminations to connect electrical or electronic components. In the general wiring market (2-3 wires) there are a number of connector styles available, however, they are limited in sizes, expanded wire gauges and the ability to reuse them when repair or replacement is needed. Based on the existing success of "Poke-Home" wire-to-board connectors, AVX has developed a new family of wire-to-wire connectors to meet the cost, flexibility and ease-of-use targets in industrial wiring applications.

The 9286 series of Junction Box connectors provide a high spring force Beryllium Copper contact system that uses simple push button activation to insert and remove individual stripped wires in the connection process. There is a forward and aft shrouded (to prevent accidental activation) push button for each wire connection that can be operated individually or simultaneously with a simple plastic tool or ball point pen tip. This connector family has been designed to bring a single wire in and then have multiple output (bus structure) wires of the same power or signal. Four, Six or Eight wires can be electrically connected together in a single connector body which will support any combination of wire gauges from 18AWG up to 26 AWG. Wires can be removed or replaced up to 5 times so there is no need to replace the connector in a new installation.

APPLICATIONS

- Industrial/Machine Control; motors, solenoids, PLC's, pumps, valves, sensors, fans...
- Commercial/Building; fixtures, fire, security, surveillance, blinds, sensors, controls...
- Commercial/Industrial LED; retail, office, manufacturing, signage, displays...
- Application notes; refer to 201-01-135

FEATURES AND BENEFITS

- High spring force top contact provides a lance type retention to capture and retain the wire
- Shrouded dual push button activation for easy wire insertion/removal
- Accepts 18-26AWG Solid and Stranded wires; any combination
- Expanded size offering to maximize application potential; 4, 6 or 8 positions
- Optional mounting tape to secure in panel mounting applications
- Molded in position numbers and schematic for easy identification

ELECTRICAL

- Current Rating: 10 Amps total
- Voltage Rating: 300v AC

ENVIRONMENTAL

- Operating Temperature: -40°C to +125°C

MECHANICAL

- Insulator Material: Glass-Filled Nylon 46; UL94V0
- Contact Material: Beryllium Copper / Phosphor Bronze
- Plating: Tin over Nickel
- Replacibility: 5 Cycles

HOW TO ORDER

00
Prefix

9286
Series

00X
Number of Ways

Code	No of Ways	Details
004	4	Page 18
006	6	Page 19
008	8	Page 20

121
Wire Size

Code	Wire Gauge	Max Conductor	Max Insulation
121	18 to 26 AWG	1.05mm Diameter	2.10mm Diameter

9
Color Options

9 = UL Red

06
Plating Option

06 = Tin all over



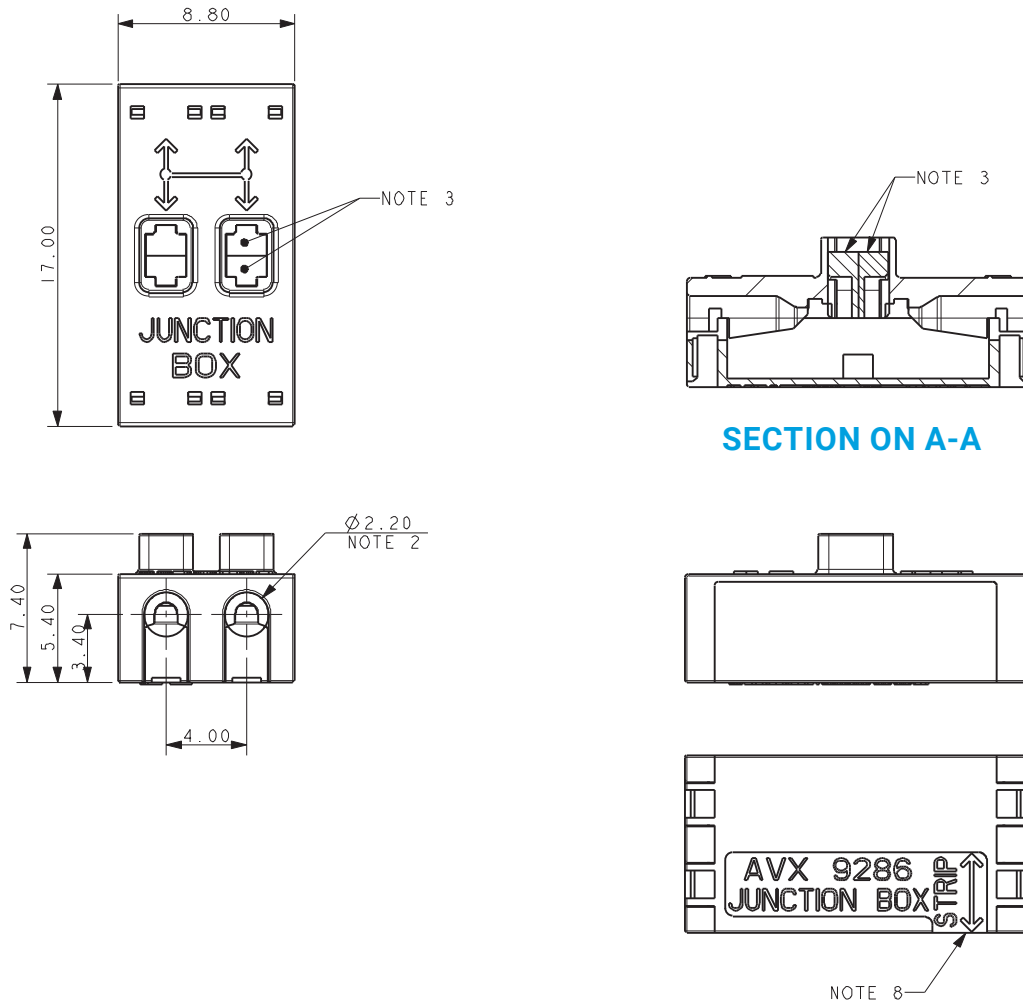
Certification: UL File #E90723

POKE-HOME JUNCTION BOX CONNECTORS 18-26 AWG: 00-9286



4 Position

18-26 AWG 4 WAY POKE-HOME – JUNCTION BOX



PACKING DETAILS

Pack 400 pieces in a clear plastic bag.

NOTES:

1. 4 WAY WIRE TO WIRE "POKE-HOME" CONNECTOR, BUTTON OPERATED. ALL TERMINALS INTERCONNECTED.
2. WIRE SIZES 18-26 AWG, MAXIMUM INSULATION DIAMETER 2.10MM.
3. SPLIT BUTTON ALLOWS THE WIRES TO BE INSERTED/WITHDRAWN INDEPENDENTLY.
4. INSULATION MATERIAL: NYLON 46, GLASS FILLED, UL94 V-0. COLOR SEE PAGE 17.
5. CONTACT MATERIAL: TIN PLATED COPPER ALLOY.
6. FOR FULL SPECIFICATION REFER TO ELCO SPECIFICATION 201-01-132. FOR APPLICATION NOTES REFER TO ELCO SPECIFICATION 201-01-135.
7. GENERAL TOLERANCE ± 0.20 MM.
8. WIRE STRIP LENGTH GUIDE, SEE PAGE 21.
9. ADHESIVE STRIP FOR PANEL MOUNTING REFER TO PAGE 22.
10. FOR UL PRODUCT CODES UL REFERENCE E90723 (US AND CANADA).



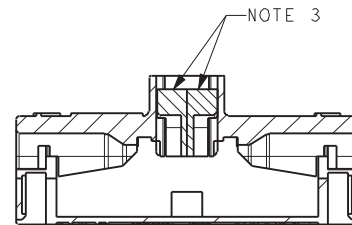
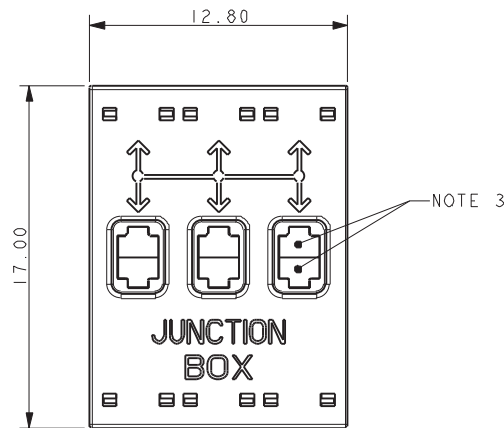
The Important Information/Disclaimer is incorporated in these specifications by reference and should be reviewed in full before placing any order.

POKE-HOME JUNCTION BOX CONNECTORS 18-26 AWG: 00-9286

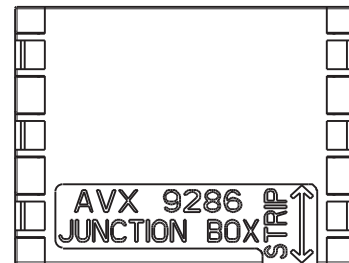
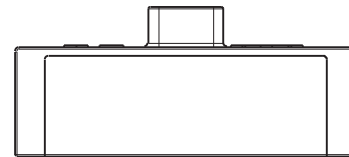
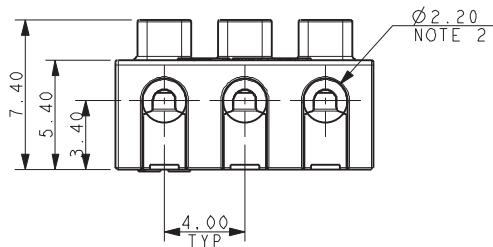


6 Position

18-26 AWG 6 WAY POKE-HOME – JUNCTION BOX



SECTION ON A-A



NOTE 8

PACKING DETAILS

Pack 400 pieces in a clear plastic bag.

NOTES:

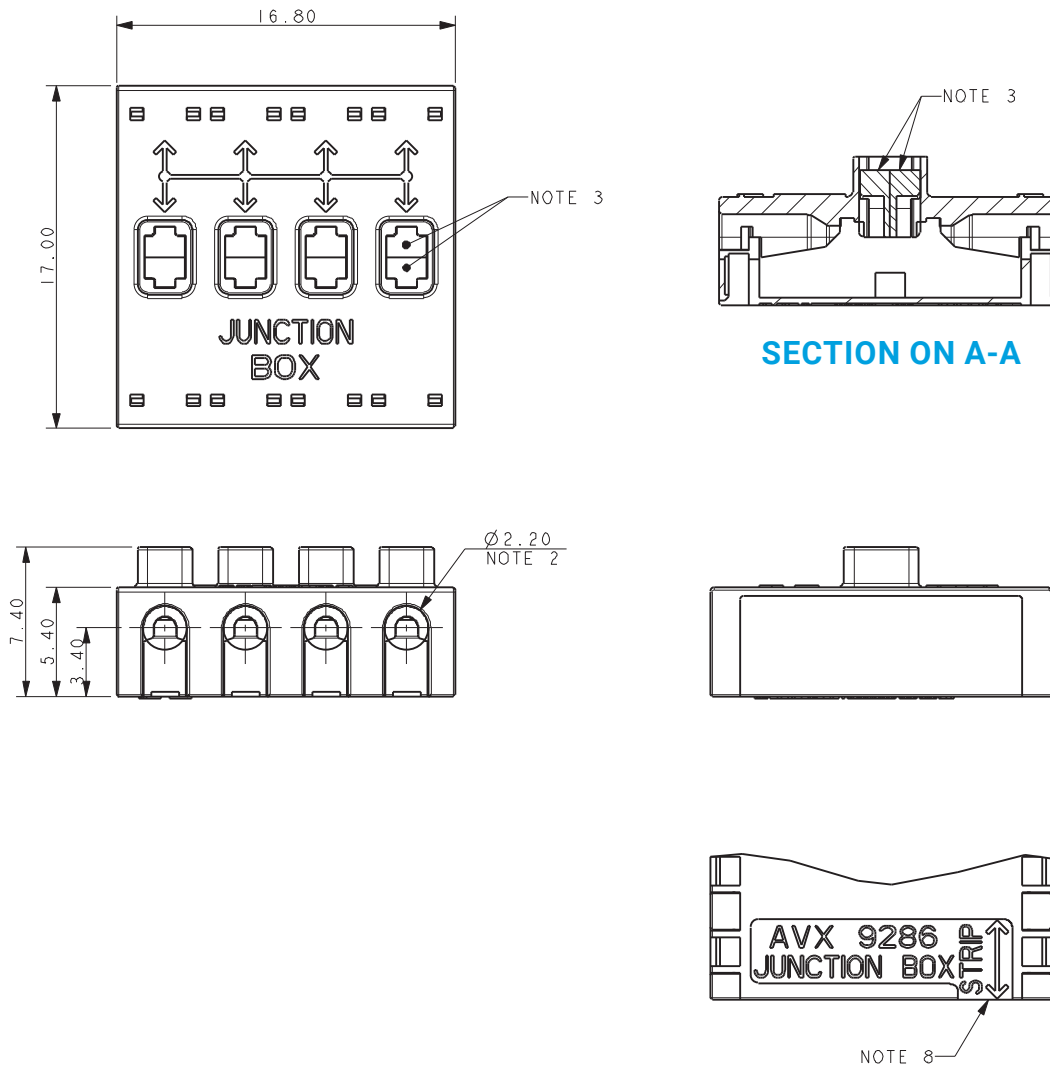
1. 6 WAY WIRE TO WIRE "POKE-HOME" CONNECTOR, BUTTON OPERATED. ALL TERMINALS INTERCONNECTED.
2. WIRE SIZES 18-26 AWG, MAXIMUM INSULATION DIAMETER 2.10MM.
3. SPLIT BUTTON ALLOWS THE WIRES TO BE INSERTED/WITHDRAWN INDEPENDENTLY.
4. INSULATION MATERIAL: NYLON 46, GLASS FILLED, UL94 V-0. COLOR SEE PAGE 17.
5. CONTACT MATERIAL: TIN PLATED COPPER ALLOY.
6. FOR FULL SPECIFICATION REFER TO ELCO SPECIFICATION 201-01-132. FOR APPLICATION NOTES REFER TO ELCO SPECIFICATION 201-01-135.
7. GENERAL TOLERANCE ± 0.20 MM.
8. WIRE STRIP LENGTH GUIDE, SEE PAGE 21.
9. ADHESIVE STRIP FOR PANEL MOUNTING REFER TO PAGE 22.
10. FOR UL PRODUCT CODES UL REFERENCE E90723 (US AND CANADA).

POKE-HOME JUNCTION BOX CONNECTORS 18-26 AWG: 00-9286



8 Position

18-26 AWG 8 WAY POKE-HOME – JUNCTION BOX



PACKING DETAILS

Pack 400 pieces in a clear plastic bag.

NOTES:

1. 8 WAY WIRE TO WIRE "POKE-HOME" CONNECTOR, BUTTON OPERATED. ALL TERMINALS INTERCONNECTED.
2. WIRE SIZES 18-26 AWG, MAXIMUM INSULATION DIAMETER 2.10MM.
3. SPLIT BUTTON ALLOWS THE WIRES TO BE INSERTED/WITHDRAWN INDEPENDENTLY.
4. INSULATION MATERIAL: NYLON 46, GLASS FILLED, UL94 V-0. COLOR SEE PAGE 17.
5. CONTACT MATERIAL: TIN PLATED COPPER ALLOY.
6. FOR FULL SPECIFICATION REFER TO ELCO SPECIFICATION 201-01-132.
FOR APPLICATION NOTES REFER TO ELCO SPECIFICATION 201-01-135.
7. GENERAL TOLERANCE ± 0.20 MM.
8. WIRE STRIP LENGTH GUIDE, SEE PAGE 21.
9. ADHESIVE STRIP FOR PANEL MOUNTING REFER TO PAGE 22.
10. FOR UL PRODUCT CODES UL REFERENCE E90723 (US AND CANADA).



The Important Information/Disclaimer is incorporated in these specifications by reference and should be reviewed in full before placing any order.

REDUCED JUNCTION BOX CONNECTORS

18-24 AWG: 9286-250



General Information



Wire-to-Wire (WTW) connectors have been used in the industrial market for years with traditional 2-Piece (plug & socket) connector systems. These require crimp and poke wire terminations to connect discrete wires together. While these provide repeated pluggability and latching, they are often size and cost prohibited in applications where the wires may only need to be replaced once or twice during their life.

The reduced 9286-250 series of junction connectors expands on the already proven 9286 poke-home discrete WTW family of connectors, but in a smaller package size. Junction box connectors electrically connect each of the inserted wires together, similar to a branch or splitter application but with multiple outputs. The development of an active stainless steel spring contact eliminates the need for push button activation to insert and remove wires which offers a significant cost savings. The mechanical properties of this contact provide maximum wire retention across a broad range of solid and stranded wire gauges, making this connector very versatile in field installations.

APPLICATIONS

- Industrial Machine Controls; motors, drives, solenoids, sensors, fans, pumps, etc...
- Commercial Buildings; controls, security, fire and sensors
- Smart Grid; meters, breakers and panels
- SSL/LED; fixtures, signage and streetlights
- Application notes; refer to 201-01-172

FEATURES AND BENEFITS

- Simple strip and poke-home wire insertion with twist and pull wire extraction
- High spring force stainless steel contact maximizes cost, strength and flexibility
- Accepts 18-24 AWG solid and stranded wires
- Expanded size offering to allow up to 8 wires to be connected together

ELECTRICAL

- Voltage Rating: 300 VAC
- Current Rating: See matrix below

ENVIRONMENTAL

- Operating Temperature: -40°C to +130°C

MECHANICAL

- Insulator Material; Glass-Filled Nylon 46; UL94V0
- Fixed Contact Material; Copper Alloy
- Flexing Contact; Stainless Steel
- Fixed Contact Plating; Tin over Nickel
- Durability; 5 Cycles

HOW TO ORDER

00
Prefix

9286
Series

00X
Number of Ways

Code	No of Ways	Details
004	4	Page 22
006	6	Page 23
008	8	Page 24

253
Wire Size

Code	Accepted Wire Gauge	Max Insulation
253	18 - 24 AWG Solid or Stranded	2.10mm Diameter

X
Insulator Color

- 9 = UL White
Special Order Only
0 = UL Black
2 = UL Brown
3 = UL Blue
4 = UL Yellow
6 = UL Green
7 = UL Orange

06
Plating Option

- 06 = Tin All Over



CURRENT RATING

Wire gauge	Maximum approved current (amps)	
	UL (USA)	UL (Canada)
18AWG	8	7
20AWG	8	7
22AWG	6	6
24AWG	4	4

UL File #E90723

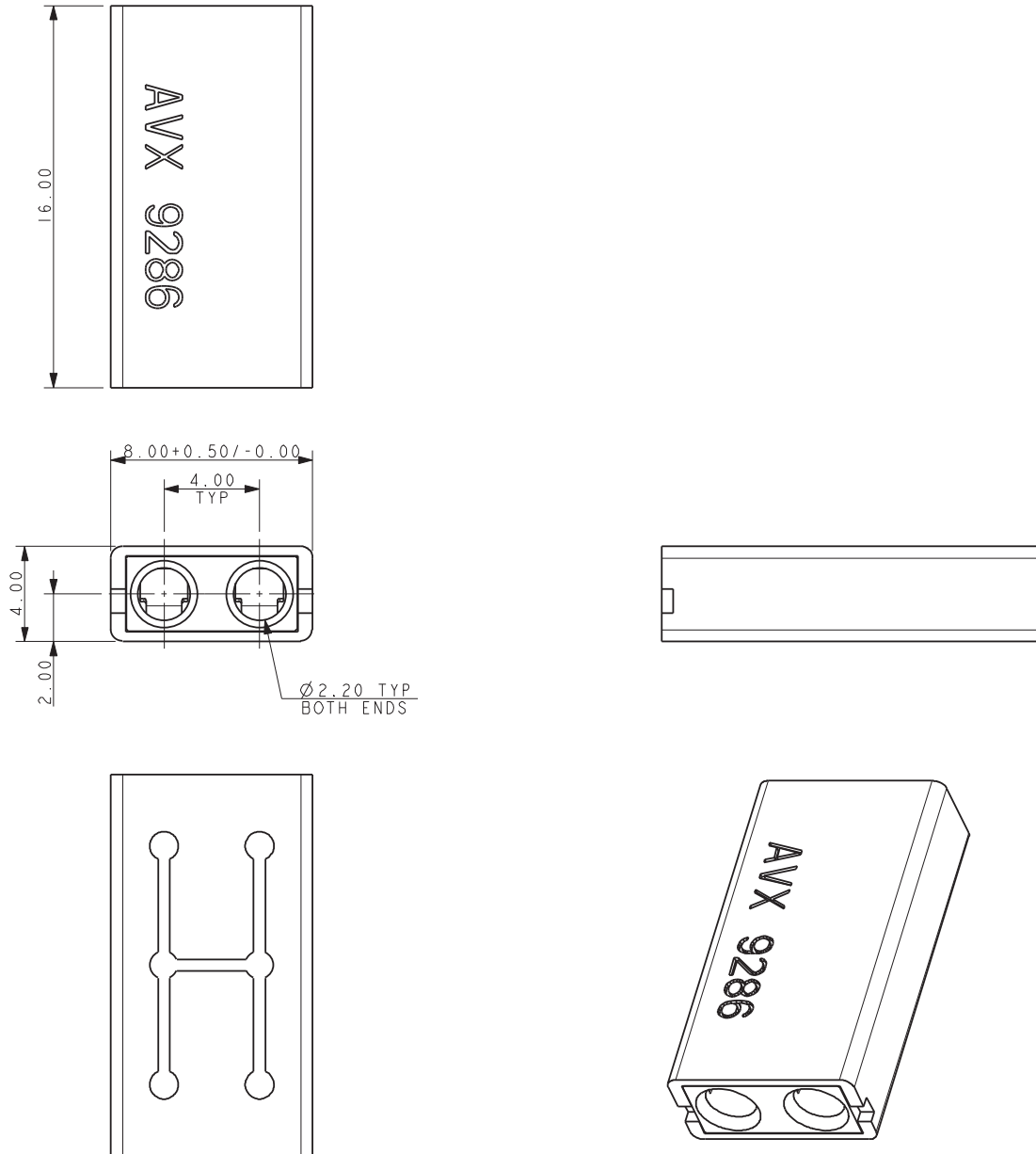
REDUCED JUNCTION BOX CONNECTORS

18-24 AWG: 9286-250

4 Position



POKE HOME 4 WAY 18AWG TO 24AWG (ALL WIRES CONNECTED)



NOTES:

1. 4 WAY WIRE TO WIRE POKE HOME CONNECTOR, JUNCTION BOX, ALL WIRES CONNECTED.
2. WIRE CONDUCTOR SIZES 18-24AWG (SOLID OR STRANDED).
MAXIMUM INSULATION 2.100MM DIAMETER.
3. INSULATION MATERIAL: NYLON 6, GLASS FILLED, UL94 V-0, COLOR REFER TO PAGE 21.
4. CONTACT MATERIAL: FIXED CONTACT: TIN PLATED COPPER ALLOY.
FLEXING CONTACT: STAINLESS STEEL.
5. PACKING IN BAGS, 1000 PIECES PER BAG.
6. FOR FURTHER DETAILS REFER TO SPECIFICATION 201-01-171 AND APPLICATION NOTES 201-01-172.
7. UL APPROVED, UL FILE REFERENCE E90723 (US AND CANADA).

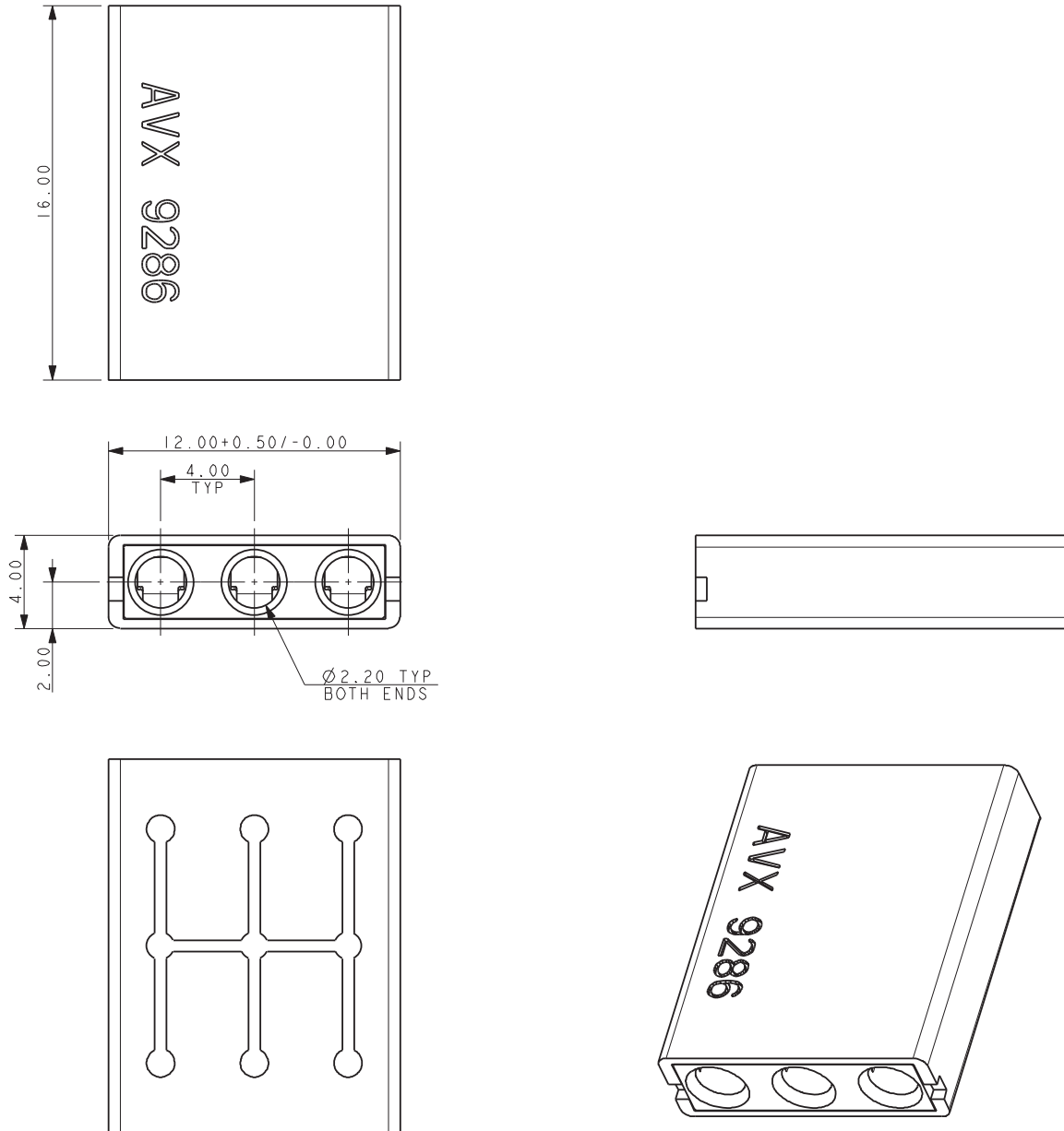
REDUCED JUNCTION BOX CONNECTORS

18-24 AWG: 9286-250

6 Position



POKE HOME 6 WAY 18AWG TO 24AWG (ALL WIRES CONNECTED)



NOTES:

1. 6 WAY WIRE TO WIRE POKE HOME CONNECTOR, JUNCTION BOX, ALL WIRES CONNECTED.
2. WIRE CONDUCTOR SIZES 18-24AWG (SOLID OR STRANDED).
MAXIMUM INSULATION 2.100MM DIAMETER.
3. INSULATION MATERIAL: NYLON 6, GLASS FILLED, UL94 V-0, COLOR REFER TO PAGE 21.
4. CONTACT MATERIAL: FIXED CONTACT: TIN PLATED COPPER ALLOY.
FLEXING CONTACT: STAINLESS STEEL.
5. PACKING IN BAGS, 1000 PIECES PER BAG.
6. FOR FURTHER DETAILS REFER TO SPECIFICATION 201-01-171 AND APPLICATION NOTES 201-01-172.
7. UL APPROVED, UL FILE REFERENCE E90723 (US AND CANADA).

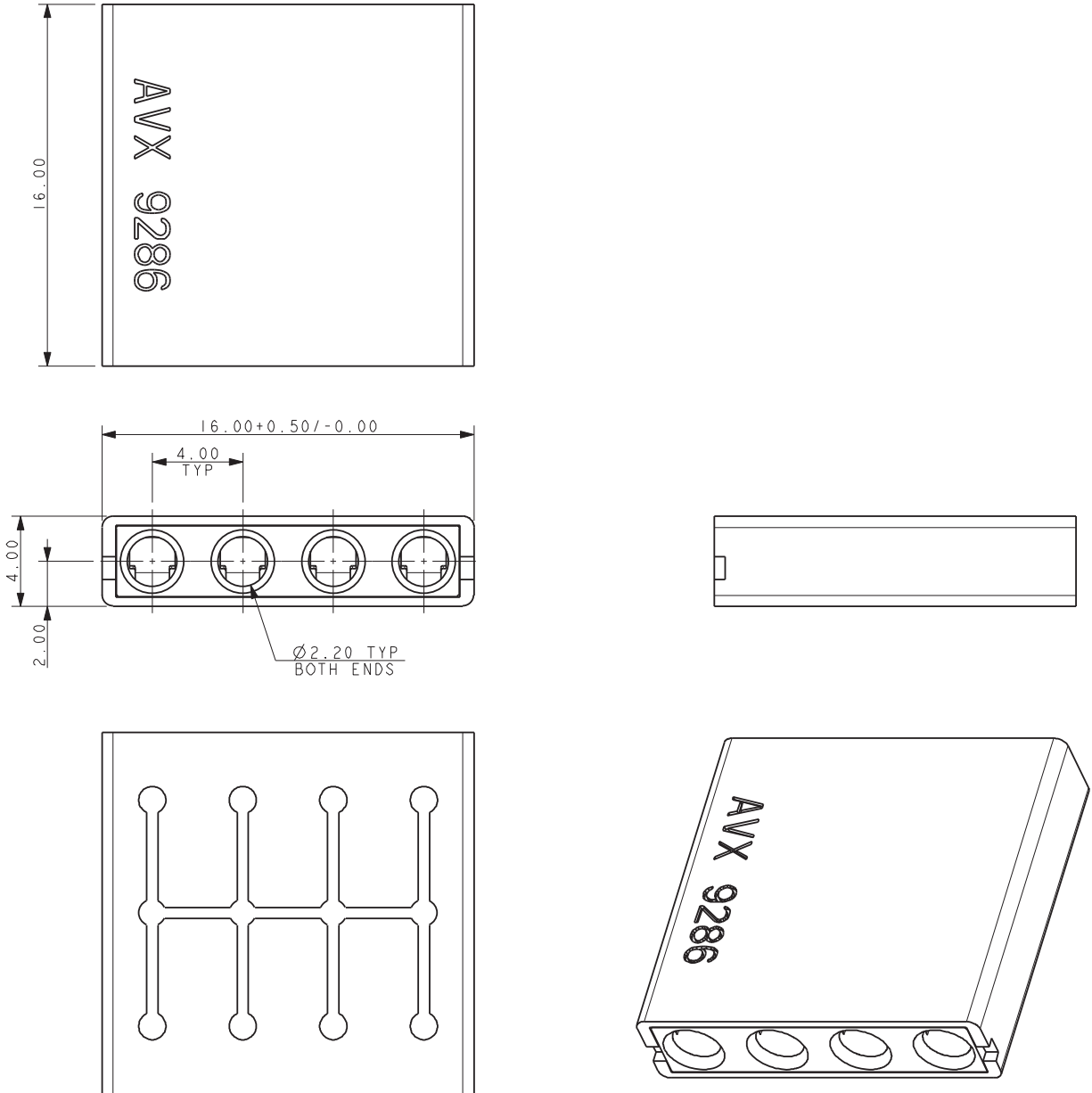
REDUCED THRU WIRE CONNECTOR

18-24 AWG: 9286-200

8 Position



POKE HOME 8 WAY 18AWG TO 24AWG (ALL WIRES CONNECTED)



NOTES:

1. 8 WAY WIRE TO WIRE POKE HOME CONNECTOR, JUNCTION BOX, ALL WIRES CONNECTED.
2. WIRE CONDUCTOR SIZES 18-24AWG (SOLID OR STRANDED).
MAXIMUM INSULATION 2.100MM DIAMETER.
3. INSULATION MATERIAL: NYLON 6, GLASS FILLED, UL94 V-0, COLOR REFER TO PAGE 21.
4. CONTACT MATERIAL: FIXED CONTACT: TIN PLATED COPPER ALLOY.
FLEXING CONTACT: STAINLESS STEEL.
5. PACKING IN BAGS, 1000 PIECES PER BAG.
6. FOR FURTHER DETAILS REFER TO SPECIFICATION 201-01-171 AND APPLICATION NOTES 201-01-172.
7. UL APPROVED, UL FILE REFERENCE E90723 (US AND CANADA).

REDUCED THRU WIRE CONNECTOR

18-24 AWG: 9286-200



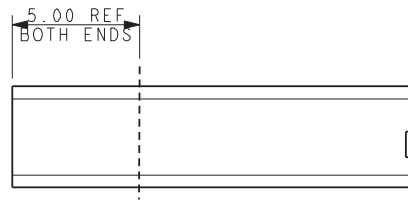
Wire Trim

POKE HOME – JUNCTION BOX WIRE TRIM

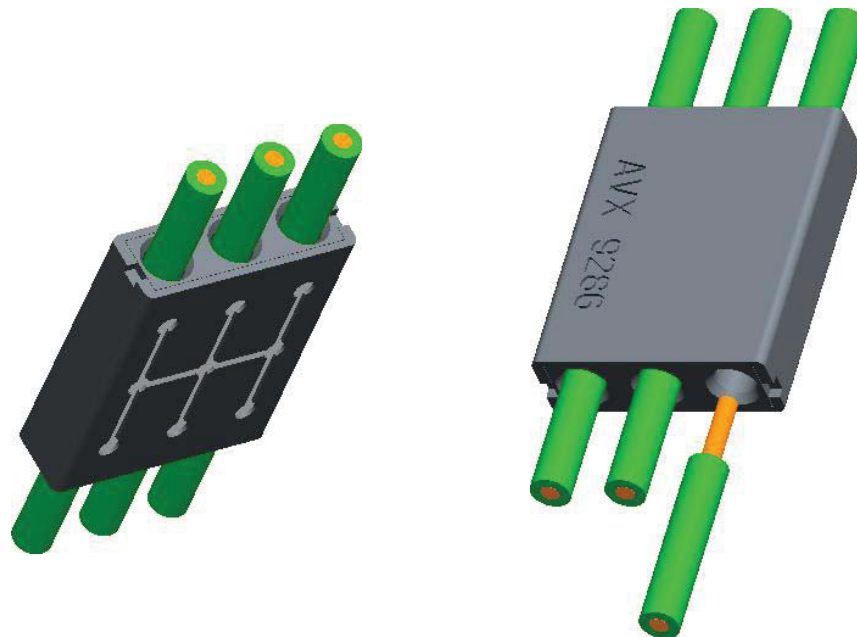


Insulation Diameter	Wire Trim Length X
Up to 2.10 Diameter	4.00 ± 0.50
Above 2.10mm Diameter See Application Notes 201-01-172	7.00 ± 0.50

REST POSITION OF CONTACT TIP



POKE HOME – THRU WIRE ASSEMBLY



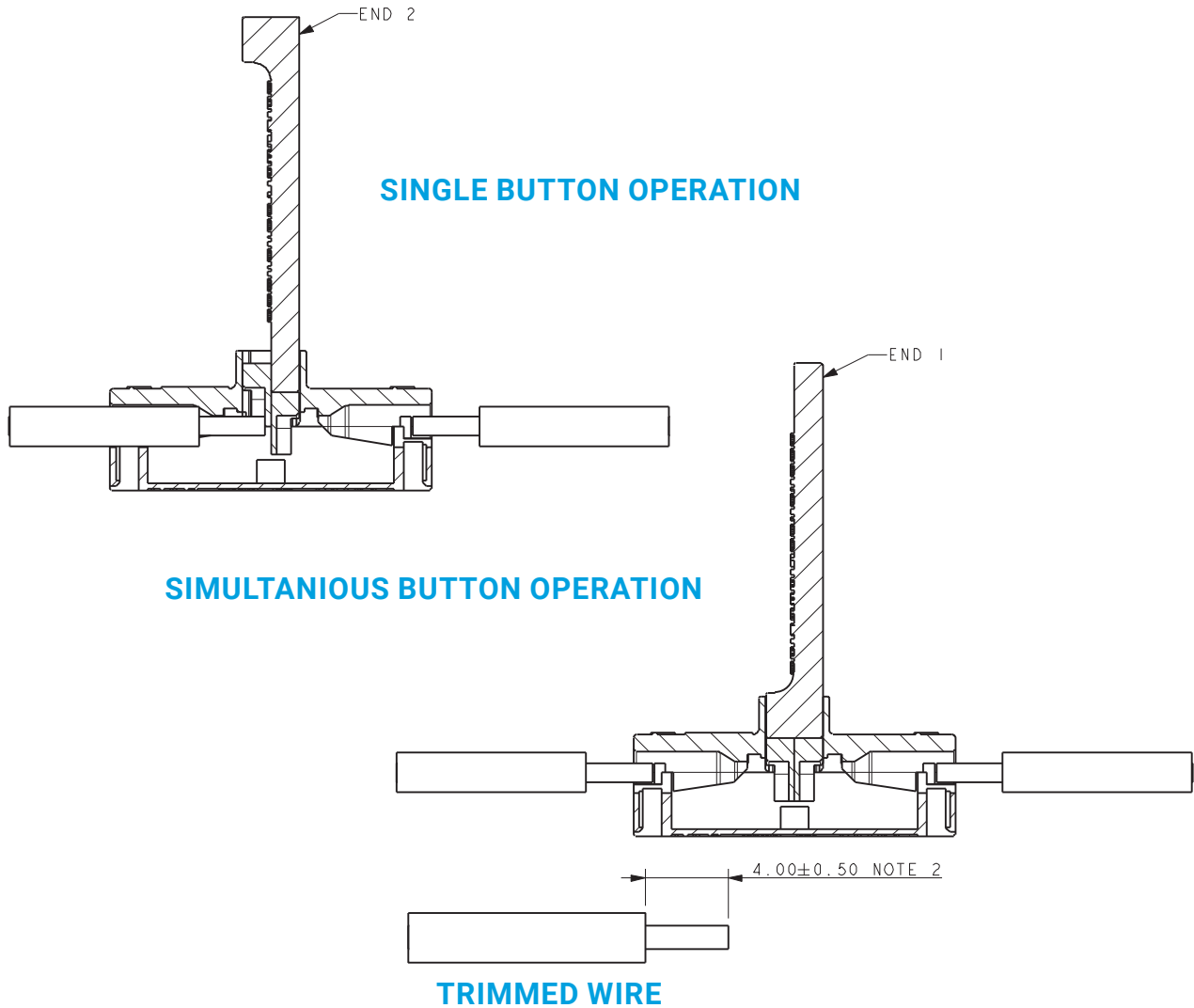
FOR FULL ASSEMBLY DETAILS REFER TO APPLICATION NOTE 201-01-172

POKE-HOME – JUNCTION BOX: Wire Insertion/Removal Process

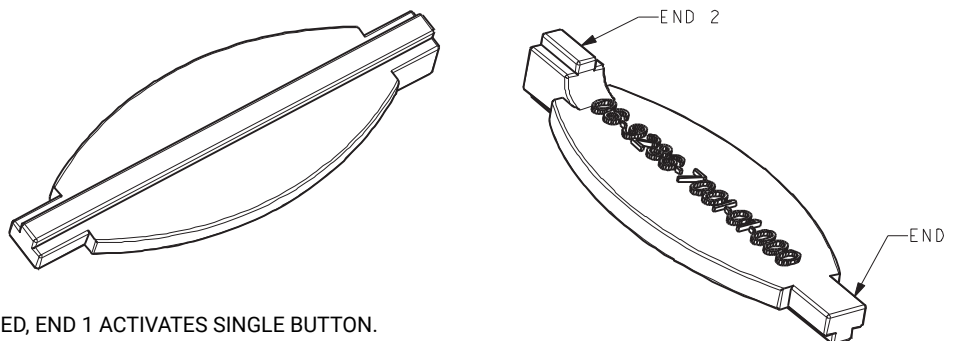
00-9286



POKE-HOME BUTTON ACTIVATION TOOL



9286 BUTTON ACTIVATION TOOL 06-9286-7001-01-000



NOTES:

1. TOOL IS DOUBLE ENDED, END 1 ACTIVATES SINGLE BUTTON.
END 2 FOR SIMULTANEOUS BUTTON ACTIVATION.
2. WIRE WHEN TRIMMED TO BE STRAIGHT WITH NO BURRS.
3. FOR FULL ASSEMBLY DETAILS REFER TO APPLICATION NOTES 201-01-135.
4. SUPPLIED IN PACKS OF 100 PIECES.



The Important Information/Disclaimer is incorporated in these specifications by reference and should be reviewed in full before placing any order.

POKE-HOME – JUNCTION BOX: ADHESIVE MOUNTING TAPE

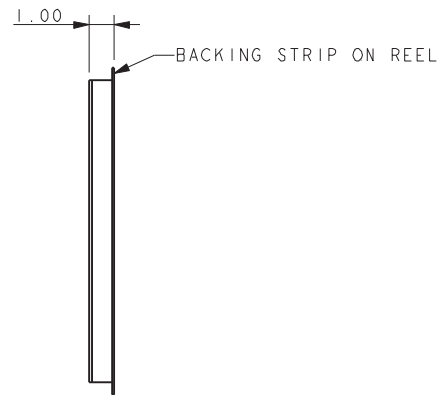
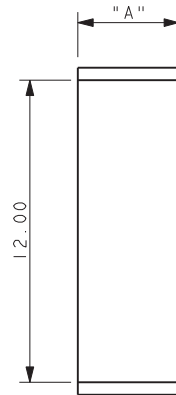
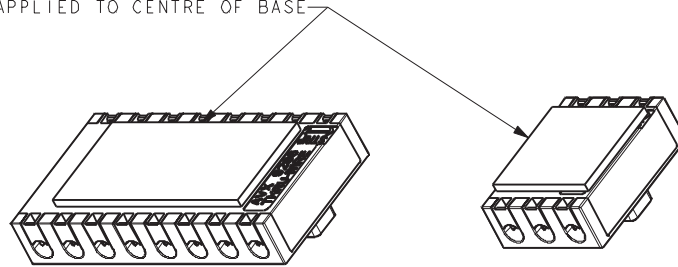
00-9286



08-9286-400X-00-000 ADHESIVE MOUNTING TAPE

ACCESSORY NOT SUPPLIED WITH CONNECTORS

TAPE APPLIED TO CENTRE OF BASE



Part Number	Dimension "A"	Matching Connectors	
		00-9286-00X-021-X06 Thru Wire	00-9286-00X-121-X06 Junction Box
80-9286-4001-00-000	4.00	1 Way	N/A
80-9286-4002-00-000	8.00	2 Way	4 Way
80-9286-4003-00-000	12.00	3 and 4 Way	6 and 8 Way
80-9286-4006-00-000	24.00	6 and 8 Way	N/A

NOTES:

1. DOUBLE SIDED FOAM FILLED ADHESIVE TAPE.
2. WIDTH FOR 1 WAY, 2 WAY, 3 WAY AND 6 WAY CONNECTORS, FOR LENGTH SEE TABLE.
3. USED FOR ADHERE A 9286 CONNECTOR TO A FLAT SURFACE.
4. SOME SURFACES MAY REQUIRE THE USE OF A CLEANING SOLVENT TO ACHIEVE BEST RESULTS.
5. SUPPLIED CUT TO SIZE ON A REEL ON AN OVERSIZE BACKING STRIP PARTS 400 PER REEL.

FOLLOW US:

VISIT US AT

A light gray world map is centered on the page. Overlaid on the map are five regional labels in bold black text, each with a corresponding telephone number. The labels are: North America (top left), Central America (bottom left), Europe (center), Asia (top right), and Japan (bottom right).

North America

Tel: +1 864-967-2150

Europe

Tel: +44 1276-697000

Asia

Tel: +65 6286-7555

Central America

Tel: +55 11-46881960

Japan

Tel: +81 740-321250