
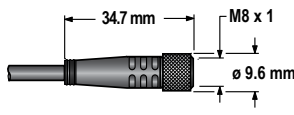
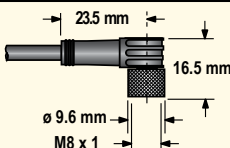


### 3-Pin Threaded Pico-Style Cables

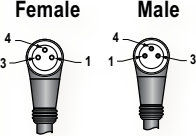
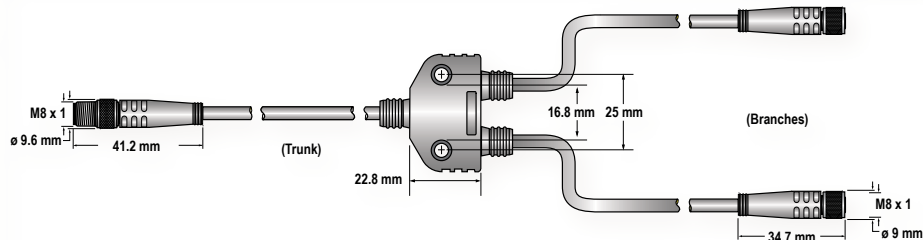
**Cable:** PVC jacket, 3 x 24 AWG  
**Conductors:** PUR (polyurethane) body, nickel-plated brass coupling nut, gold-plated contacts  
**Voltage/Current Rating:** 125V ac/300V dc, 4.0 A  
**Temperature:** +105° C

Pinout	Style	Model	Length	Dimensions	Used With
 <p>Female</p> <p>1=Brown 3=Blue 4=Black</p>	Straight	PKG3M-2	2 m		<ul style="list-style-type: none"> <li>• T8</li> <li>• VS1</li> <li>• VS2</li> <li>• VS3</li> <li>• VS4</li> <li>• SLM</li> <li>• IP68 Sealed Ring Lights (Nickel-plated)</li> <li>• IP68 Sealed Ring<sup>†</sup> Lights (stainless steel)</li> <li>• On-axis Lights</li> </ul>
		PKG3M-4 <sup>†</sup>	4 m		
		PKG3M-7 <sup>†</sup>	7 m		
		PKG3M-9	9 m		
		PKG3M-10 <sup>†</sup>	10 m		
Right-Angle	PKW3M-2	2 m			
	PKW3M-9	9 m			

<sup>†</sup> IP68 stainless steel models require a cable with a stainless steel connector. For a stainless steel connector, add **V** to the model number (example, **PKG3M-4V**).

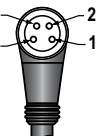
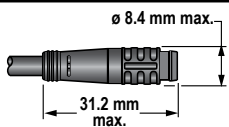
### 3-Pin Pico-Style Splitter Cables

**Cable:** PVC jacket, 3 x 24 AWG  
**Conductors:** PUR (polyurethane) body, nickel-plated brass coupling nut, gold-plated contacts  
**Voltage/Current Rating:** 125V ac/300V dc, 4.0 A  
**Temperature:** +105° C

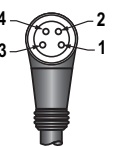
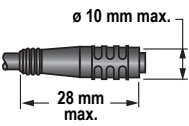
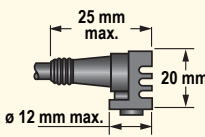
Connections				
Pinout	Model	Branches	Trunks	Used With
 <p>Female Male</p> <p>1=Brown 3=Blue 4=Black</p>	CSB-M831M831	3-Pin Pico QD 2 x 0.2 m Female	0.2 m Male	<ul style="list-style-type: none"> <li>• Ring Lights</li> <li>• Area Lights</li> <li>• Spot Lights</li> <li>• Backlights</li> </ul>
				

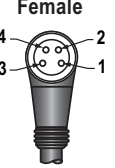
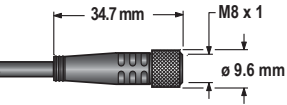
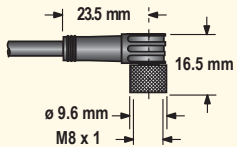
### 4-Pin Snap-on Pico-Style Cables

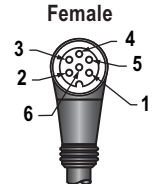
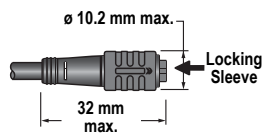
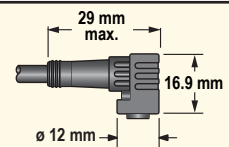
**Cable:** PVC jacket, 3 x 26 AWG  
**Conductors:** PUR (polyurethane) body, snap lock, POM locking sleeve (right-angle only), gold-plated contacts  
**Voltage/Current Rating:** 125V ac/300V dc, 4.0 A  
**Temperature:** +105° C

Pinout	Style	Model	Length	Dimensions	Used With
 <p>Female</p> <p>1 = Brown 2 = White 3 = Blue 4 = Black</p>	Straight	PKG4-2	2 m		<ul style="list-style-type: none"> <li>• MINI-BEAM 2</li> <li>• QS12</li> <li>• QS18</li> <li>• Q20</li> <li>• D12</li> <li>• D10A</li> </ul>

BRACKETS  
CABLES  
RETROREFLECTORS  
ENCLOSURES/LENS SHIELDS  
MISCELLANEOUS

4-Pin Snap-On Pico-Style Cables with Shield						
<p><b>Cable:</b> PVC jacket, 4 x 26 AWG with 26 AWG drain wire  <b>Conductors:</b> PUR (polyurethane) body, snap lock, POM locking sleeve (right-angle only), nickel-plated brass coupling nut, gold-plated contacts  <b>Voltage/Current Rating:</b> 125V ac/300V dc, 4.0 A  <b>Temperature:</b> +105° C</p>						
Pinout	Style	Model	Length	Dimensions	Used With	
<p><b>Female</b></p>  <p>1 = Brown 2 = White 3 = Blue 4 = Black</p>	Straight	PKG4S-2	2 m		• QS18U	
	Right-Angle	PKW4ZS-2	2 m			

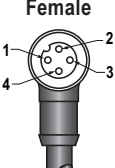
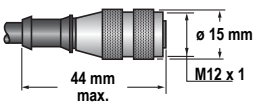
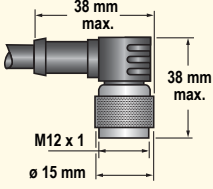
4-Pin Threaded Pico-Style Cables						
<p><b>Cable:</b> PVC jacket, 4 x 26 AWG  <b>Conductors:</b> PUR (polyurethane) body, nickel-plated brass coupling nut, gold-plated contacts  <b>Voltage/Current Rating:</b> 125V ac/dc, 4.0 A  <b>Temperature:</b> +105° C</p>						
Pinout	Style	Model	Length	Dimensions	Used With	
<p><b>Female</b></p>  <p>1 = Brown 2 = White 3 = Blue 4 = Black</p>	Straight	PKG4M-2	2 m		• Q12 • Q20	
		PKG4M-9	9 m			
	Right-Angle	PKW4M-2	2 m			
		PKW4M-9	9 m			

6-Pin Snap-On Pico-Style Cables						
<p><b>Cable:</b> PVC jacket, 6 x 26 AWG  <b>Conductors:</b> PUR (polyurethane) body, POM locking sleeve, gold-plated contacts  <b>Voltage/Current Rating:</b> 125V ac/dc, 2.0 A  <b>Temperature:</b> +105° C</p>						
Pinout	Style	Model	Length	Dimensions	Used With	
<p><b>Female</b></p>  <p>1 = Brown 4 = Black 2 = White 5 = Gray 3 = Blue 6 = Pink</p>	Straight	PKG6Z-2	2 m		• D10 • FI22	
		PKG6Z-9	9 m			
	Right-Angle	PKW6Z-2	2 m			
		PKW6Z-9	9 m			

BRACKETS  
CABLES  
RETROREFLECTORS  
ENCLOSURES/  
LENS SHIELDS  
MISCELLANEOUS

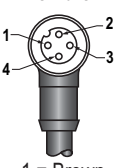
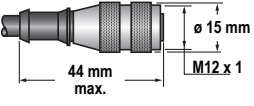
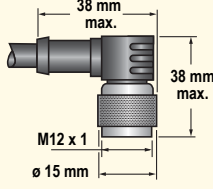
### 4-Pin Euro-Style Cables

**Cable:** PVC jacket, PUR (polyurethane) connector body, nickel-plated brass coupling nut  
**Conductors:** 22 or 20 AWG high-flex stranded, gold-plated contacts  
**Voltage Rating:** 250V ac/300V dc  
**Temperature:** -40° to +90° C

Pinout	Style	Model	Length	Dimensions	Used With
 <p><b>Female</b>                      1 = Brown                      2 = White                      3 = Blue                      4 = Black</p>	Straight	MQDC-406	2 m		<ul style="list-style-type: none"> <li>• Q12</li> <li>• M12</li> <li>• QS18</li> <li>• Q20</li> <li>• OMNI-BEAM (QDH suffix)</li> <li>• Q45 dc sensors (Q5 suffix)</li> <li>• MINI-BEAM dc SM312 sensors</li> <li>• S18, M18, T18, Q25, S30, T30, Q40</li> <li>• QM42</li> <li>• QL50/QL55</li> <li>• SLM</li> <li>• T18U</li> <li>• K50</li> <li>• K80</li> <li>• PVA</li> <li>• VTB and STB</li> <li>• EZ-LIGHT</li> </ul>
		MQDC-415	5 m		
		MQDC-430	9 m		
	Right-Angle	MQDC-406RA	2 m		
		MQDC-415RA	5 m		
		MQDC-430RA	9 m		

### 4-Pin Euro-Style Cables with Shield

**Cable:** PVC jacket, PUR (polyurethane) connector body, nickel-plated brass coupling nut  
**Conductors:** 22 or 20 AWG high-flex stranded, gold-plated contacts  
**Voltage Rating:** 250V ac/300V dc  
**Temperature:** -40° to +90° C

Pinout	Style	Model	Length	Dimensions	Used With
 <p><b>Female</b>                      1 = Brown                      2 = White                      3 = Blue                      4 = Black</p>	Straight	MQDEC2-406	2 m		<ul style="list-style-type: none"> <li>• QS18U</li> </ul>
		MQDEC2-415	5 m		
		MQDEC2-430	9 m		
	Right-Angle	MQDEC2-406RA	2 m		
		MQDEC2-415RA	5 m		
		MQDEC2-430RA	9 m		

BRACKETS

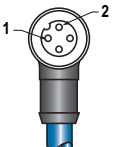
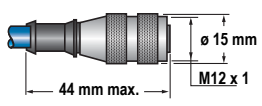
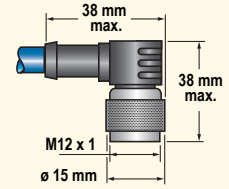
CABLES

RETROREFLECTORS

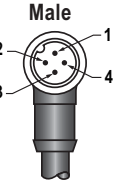
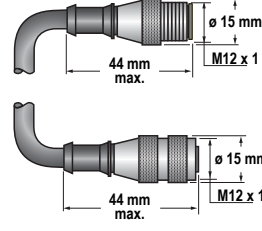
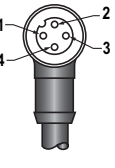
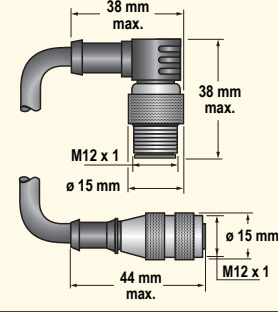
ENCLOSURES/  
LENS SHIELDS

MISCELLANEOUS

**4-Pin Euro-Style Cables (for use with NAMUR sensors)**  
**Cable:** PVC jacket, PUR (polyurethane) connector body, nickel-plated brass coupling nut  
**Conductors:** 22 or 20 AWG high-flex stranded, gold-plated contacts  
**Voltage Rating:** 250V ac/300V dc  
**Temperature:** -40° to +90° C

Pinout	Style	Model	Length	Dimensions	Used With
 <p>Female 1 = Brown 2 = Blue</p>	Straight	MQD9-406	2 m		<ul style="list-style-type: none"> <li>MINI-BEAM &amp; Q45 NAMUR sensors</li> </ul>
		MQD9-415	5 m		
	Right-Angle	MQD9-406RA	2 m		
		MQD9-415RA	5 m		

**4-Pin Euro-Style Cables–Double Ended**  
**Cable:** PVC jacket, PUR (polyurethane) connector body, nickel-plated brass coupling nut  
**Conductors:** 22 or 20 AWG high-flex stranded, gold-plated contacts  
**Voltage Rating:** 250V ac/300V dc  
**Temperature:** -40° to +90° C

Pinout	Style	Model	Length	Dimensions	Used With
 <p>Male 1 = Brown 2 = White 3 = Blue 4 = Black</p>	Male Straight/ Female Straight	MQDEC-403SS	1 m		<ul style="list-style-type: none"> <li>M12</li> <li>QS18</li> <li>Q20</li> <li>OMNI-BEAM (QDH suffix)</li> <li>Q45 dc sensors (Q5 suffix)</li> <li>MINI-BEAM dc SM312 sensors</li> <li>S18, M18, T18, Q25, S30, T30, Q40</li> <li>QM42</li> <li>T18U</li> <li>K50</li> <li>K80</li> <li>PVA</li> <li>VTB and STB</li> <li>EZ-LIGHT</li> </ul>
		MQDEC-406SS	2 m		
		MQDEC-412SS	4 m		
		MQDEC-420SS	7 m		
		MQDEC-430SS	10 m		
		MQDEC-450SS	15 m		
 <p>Female 1 = Brown 2 = White 3 = Blue 4 = Black</p>	Male Right-Angle/ Female Straight	MQDEC-403RS	1 m		
		MQDEC-406RS	2 m		
		MQDEC-412RS	4 m		
		MQDEC-420RS	7 m		
		MQDEC-430RS	10 m		
		MQDEC-450RS	15 m		

BRACKETS  
 CABLES  
 RETROREFLECTORS  
 ENCLOSURES/  
 LENS SHIELDS  
 MISCELLANEOUS

### 4-Pin Euro-Style Splitter Cables

**Cable:** PVC jacket, PUR (polyurethane) connector body, nickel-plated brass coupling nut  
**Conductors:** 22 AWG high-flex stranded, gold-plated contacts  
**Voltage Rating:** 250V ac/300V dc  
**Temperature:** -40° to +90° C

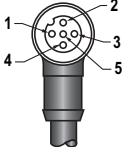
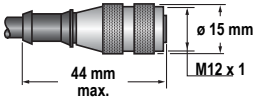
Connections				
Pinout	Model	Branches	Trunk	Used With
	CSB-M1240M1240*	4-Pin Euro QD No Branch Female	No Trunk Male	<ul style="list-style-type: none"> <li>• Sensors w/4-Pin Euro QD</li> <li>• EZ-LIGHT</li> </ul>
	CSB-M1241M1241	4-Pin Euro QD 2 x 0.3 m Female	0.3 m Male	
	CSB-M1248M1241		2.5 m Male	
	CSB-M12415M1241		5.0 m Male	
	CSB-M12425M1241		8.0 m Male	
	CSB-UNT425M1241		8.0 m Unterminated	
Dimensions				

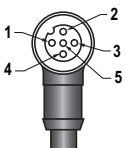
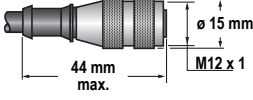
\* CSB-M1240M1240 replaces model number MDCVB4T.

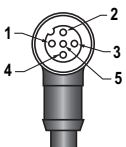
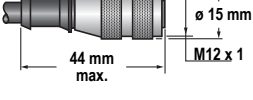
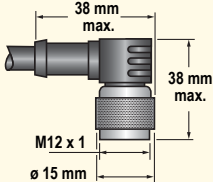
### 5-Pin Euro-Style Cables

**Cable:** PVC jacket, PUR (polyurethane) connector body, nickel-plated brass coupling nut  
**Conductors:** 22 or 20 AWG high-flex stranded, gold-plated contacts  
**Voltage Rating:** 250V ac/300V dc  
**Temperature:** -40° to +90° C

Pinout	Style	Model	Length	Dimensions	Used With
	Straight	MQDC1-501.5	0.5 m		<ul style="list-style-type: none"> <li>• MINI-BEAM <i>Expert</i></li> <li>• QS30</li> <li>• PicoDot</li> <li>• Q45 Laser Retro</li> <li>• R55F</li> <li>• SL30 &amp; SL30E</li> <li>• SL10 &amp; SL10E</li> <li>• VTB (2-color)</li> <li>• SLC1</li> <li>• Q60</li> <li>• PVD</li> <li>• STB</li> <li>• K50</li> <li>• K80</li> <li>• DX80</li> <li>• DX81</li> <li>• DX85</li> <li>• EZ-LIGHT</li> </ul>
		MQDC1-515	5 m		
		MQDC1-530	9 m		
	Right-Angle	MQDC1-506RA	2 m		
		MQDC1-515RA	5 m		
		MQDC1-530RA	9 m		

5-Pin Euro-Style Cables						
<b>Cable:</b> PVC jacket, PUR (polyurethane) connector body, nickel-plated brass coupling nut <b>Conductors:</b> 20 AWG high-flex stranded, gold-plated contacts <b>Voltage Rating:</b> 250V ac/300V dc <b>Temperature:</b> -40° to +90° C						
Pinout	Style	Model	Length	Dimensions	Used With	
<b>Female</b>  <p>1 = Brown 2 = White 3 = Blue 4 = Black 5 = Gray</p>	Straight	MQDC20-506	2 m		<ul style="list-style-type: none"> <li>• High Intensity Area Lights</li> <li>• High Intensity Ring Lights</li> <li>• Sealed Linear Array Lights</li> </ul> NOTE: Except stainless steel models	
		MQDC20-515	5 m			
		MQDC20-530	9 m			

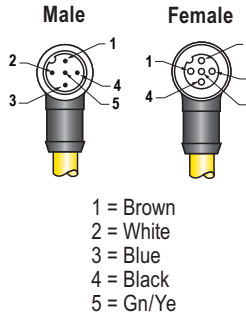
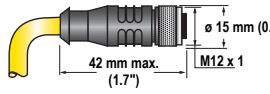
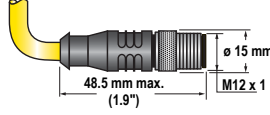
5-Pin Euro-Style Cables with Stainless Steel Connector						
<b>Cable:</b> PVC jacket, PUR (polyurethane) connector body, 316 stainless steel coupling nut <b>Conductors:</b> 20 AWG high-flex stranded, gold-plated contacts <b>Voltage Rating:</b> 250V ac/300V dc <b>Temperature:</b> -40° to +90° C						
Pinout	Style	Model	Length	Dimensions	Used With	
<b>Female</b>  <p>1 = Brown 2 = White 3 = Blue 4 = Black 5 = Gray</p>	Straight	MQDC20SS-506	2 m		<ul style="list-style-type: none"> <li>• Sealed High Intensity Area Lights</li> <li>• Sealed Linear Array Lights</li> </ul> NOTE: Stainless steel models	
		MQDC20SS-515	5 m			
		MQDC20SS-530	9 m			

5-Pin Euro-Style Cables with Shield						
<b>Cable:</b> PVC jacket, PUR (polyurethane) connector body, nickel-plated brass coupling nut <b>Conductors:</b> 22 or 20 AWG high-flex stranded, gold-plated contacts <b>Voltage Rating:</b> 250V ac/300V dc <b>Temperature:</b> -40° to +90° C						
Pinout	Style	Model	Length	Dimensions	Used With	
<b>Female</b>  <p>1 = Brown 2 = White 3 = Blue 4 = Black 5 = Gray</p>	Straight	MQDEC2-506	2 m		<ul style="list-style-type: none"> <li>• Q50</li> <li>• R58E</li> <li>• M-GAGE Q7M</li> <li>• M-GAGE S18M</li> <li>• QT50U dc sensors</li> <li>• S18U</li> <li>• T30U</li> <li>• Q45U</li> <li>• Q45UR</li> <li>• T-GAGE M18T</li> <li>• LX</li> <li>• QT50R</li> </ul>	
		MQDEC2-515	5 m			
		MQDEC2-530	9 m			
	Right-Angle	MQDEC2-506RA	2 m			
		MQDEC2-515RA	5 m			
		MQDEC2-530RA	9 m			

BRACKETS  
CABLES  
RETROREFLECTORS  
ENCLOSURES/  
LENS SHIELDS  
MISCELLANEOUS

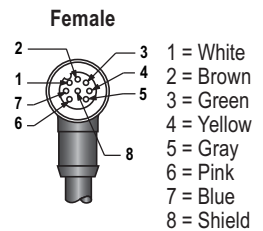
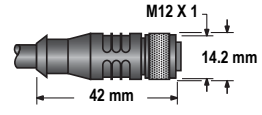
### 5-Pin Euro-Style Cables–Double Ended

**Cable:** PVC jacket, PUR (polyurethane) connector body, nickel-plated brass coupling nut  
**Conductors:** 22 or 20 AWG high-flex stranded, gold-plated contacts  
**Voltage Rating:** 250V ac/300V dc  
**Temperature:** -40° to +90° C

Pinout	Style	Model	Length	Dimensions	Used With
 <p>1 = Brown 2 = White 3 = Blue 4 = Black 5 = Gn/Ye</p>	Female Straight/ Male Straight	DEE2R-51D	0.3 m	 	<ul style="list-style-type: none"> <li>• MINI-BEAM <i>Expert</i></li> <li>• QS30</li> <li>• PicoDot</li> <li>• Q45 Laser Retro</li> <li>• R55F</li> <li>• SL30 &amp; SL30E</li> <li>• SL10 &amp; SL10E</li> <li>• SLC1</li> <li>• Q60</li> <li>• PVD</li> <li>• STB</li> <li>• VTB (2-color)</li> <li>• DX85</li> <li>• DX81</li> </ul>
		DEE2R-53D	1.0 m		
		DEE2R-58D	2.4 m		
		DEE2R-515D	4.5 m		
		DEE2R-525D	8.0 m		
		DEE2R-550D	15.0 m		
		DEE2R-575D	23.0 m		
		DEE2R-5100D	30.0 m		

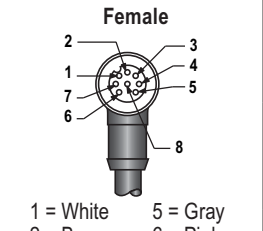
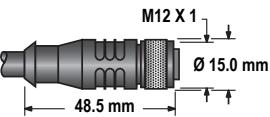
### 8-Pin Euro-Style Cables with Shield

**Cable:** PVC jacket, PUR (polyurethane) connector body, nickel-plated brass coupling nut  
**Conductors:** 22 or 20 AWG high-flex stranded, gold-plated contacts  
**Voltage Rating:** 250V ac/300V dc  
**Temperature:** -40° to +90° C

Pinout	Style	Model	Length	Dimensions	Used With
 <p>1 = White 2 = Brown 3 = Green 4 = Yellow 5 = Gray 6 = Pink 7 = Blue 8 = Shield</p>	Straight	MQDC-806	2 m		<ul style="list-style-type: none"> <li>• LT3</li> <li>• LG5</li> <li>• LG10</li> </ul>
		MQDC-815	5 m		
		MQDC-830	9 m		

### 8-Pin Euro-Style Cables with Shield

**Cable:** PVC jacket, PUR (polyurethane) connector body, nickel-plated brass coupling nut  
**Conductors:** 24 AWG high-flex stranded, gold-plated contacts  
**Voltage Rating:** 30V ac/36V dc  
**Temperature:** -40° to +105° C

Pinout	Style	Model	Length	Dimensions	Used With
 <p>1 = White 2 = Brown 3 = Green 4 = Yellow 5 = Gray 6 = Pink 7 = Blue 8 = Red</p>	Straight	MAQDC-815	5 m		<ul style="list-style-type: none"> <li>• EZ-ARRAY Emitters/Receivers</li> </ul>
		MAQDC-830	9 m		
		MAQDC-850	15 m		

BRACKETS

CABLES

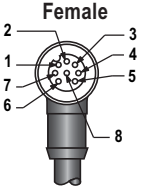
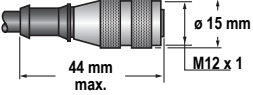
RETROREFLECTORS

ENCLOSURES/  
LENS SHIELDS

MISCELLANEOUS

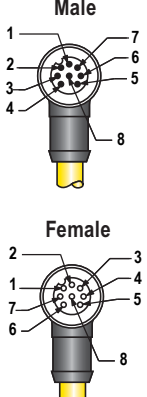
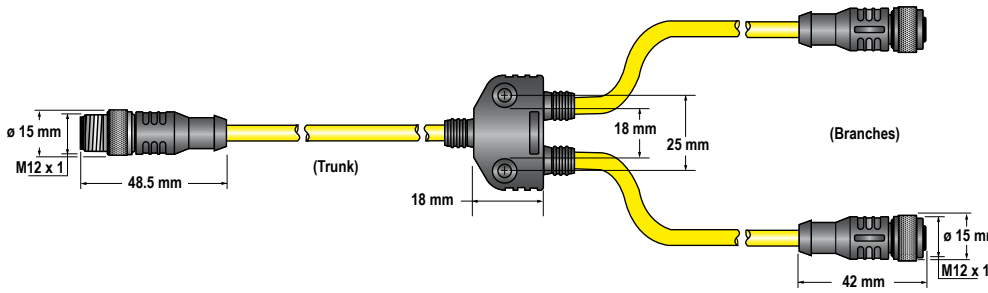
### 8-Pin Euro-Style Cables with Open-Shield

**Cable:** PVC jacket, PUR (polyurethane) connector body, nickel-plated brass coupling nut  
**Conductors:** 22 or 20 AWG high-flex stranded, gold-plated contacts  
**Voltage Rating:** 250V ac/300V dc  
**Temperature:** -40° to +90° C

Pinout	Style	Model	Length	Dimensions	Used With
 <p>Female</p> <p>1 = White    5 = Gray                  2 = Brown   6 = Pink                  3 = Green   7 = Blue                  4 = Yellow   8 = Red</p>	Straight	MQDC2S-806	2 m		<ul style="list-style-type: none"> <li>• QC50</li> <li>• QCX50</li> <li>• EZ-LIGHT</li> </ul>
		MQDC2S-815	5 m		
		MQDC2S-830	9 m		

### 8-Pin Euro-Style Splitter Cables

**Cable:** PVC jacket, PUR (polyurethane) connector body, nickel-plated brass coupling nut  
**Conductors:** 22 AWG high-flex stranded, gold-plated contacts  
**Voltage Rating:** 250V ac/300V dc  
**Temperature:** -40° to +90° C

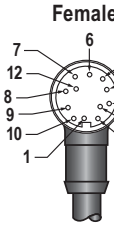

Connections				
Pinout	Model	Branches	Trunk	Used With
 <p>Male</p> <p>Female</p> <p>1 = Brown                  2 = Or/Bk                  3 = Orange                  4 = White                  5 = Black                  6 = Blue                  7 = Gn/Ye                  8 = Violet</p>	CSB-M1280M1280	8-Pin Euro QD No Branch Female	No Trunk Male	<ul style="list-style-type: none"> <li>• EZ-ARRAY Emitters/Receivers</li> </ul>
	CSB-M1281M1281	8-Pin Euro QD 2 x 0.3 m Female	0.3 m Male	
	CSB-M1288M1281		2.5 m Male	
	CSB-M12815M1281		5.0 m Male	
	CSB-M12825M1281		8.0 m Male	
	CSB-UNT825M1281		8.0 m Unterminated	
Dimensions				
				

- BRACKETS
- CABLES
- RETROREFLECTORS
- ENCLOSURES/LENS SHIELDS
- MISCELLANEOUS



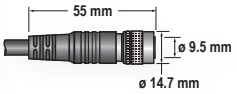
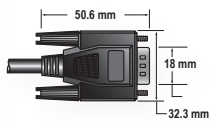
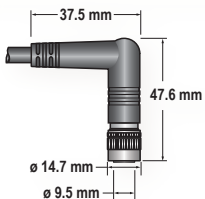


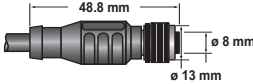
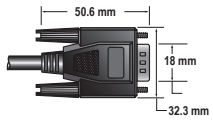
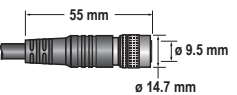


**12-Pin M16 Cable**

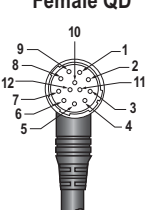
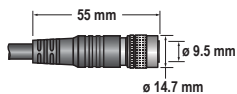
Cable: PVC jacket, nickel-plated brass coupling nut  
 Conductors: 22 AWG  
 Voltage Rating: 250V ac    Temperature: -30° to +80° C

Pinout	Style	Model	Length	Dimensions	Used With	
1 = White 2 = Brown 3 = Green 4 = Yellow 5 = Gray 6 = Pink 7 = Red 8 = Black 9 = Violet 10 = Gy/Pk 11 = Rd/Bu 12 = Blue	 Female	Straight	MQDC-1210ST	3 m		• LT7
			MQDC-1230ST	10 m		

**12-Pin QD to DB15**

Pinout	Style	Model	Length	Dimensions 12-Pin QD	Dimensions DB15	Used With
 Male QD   Male DB15	Straight/DB15	PPC06	2 m			• Pro
		PPC23	7 m			
	Straight (High-Flex)/DB15	PPC06HF	2 m			
		PPC23HF	7 m			
	Right-Angle/DB15	PPC06RA	2 m			
		PPC10RA	3 m			
PPC23RA		7 m				
Right-Angle (High-Flex)/DB15	PPC06RAHF	2 m				
	PPC23RAHF	7 m				
 Female QD   Male DB15	Straight/DB15	PPC13S	4 m			• Sealed Pro
		PPC23S	7 m			
	Straight/DB15	P4C06SIM	2 m			
P4C23SIM		7 m				
P4C32SIM		10 m				

**12-Pin QD**

Pinout	Style	Model	Length	Dimensions	Used With	
1 = Yellow 2 = Gray 3 = Orange 4 = Pink 5 = Black 6 = Red 7 = White 8 = Light Blue 9 = Purple 10 = Green 11 = Blue 12 = Brown Shield = Bare Metal	 Female QD	Straight	P4C06	2 m		• P4 • PPSIM with terminal strip to P4
			P4C23	7 m		
			P4C32	10 m		
			P4C50	16 m		
			P4C75	23 m		

BRACKETS

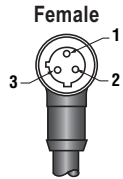
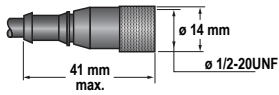
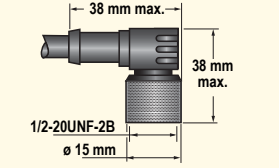
CABLES

RETROREFLECTORS

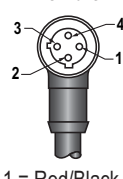
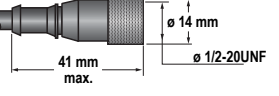
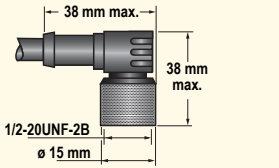
ENCLOSURES/  
LENS SHIELDS

MISCELLANEOUS

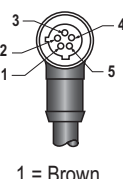
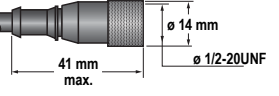
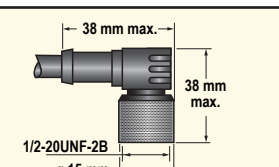
**3-Pin Micro-Style Cables**  
**Cable:** PVC jacket, 3 x 22 AWG  
**Conductors:** PUR (polyurethane) body, nickel-plated coupling nut, gold-plated contacts  
**Voltage/Current Rating:** 250V ac/dc, 4.0 A  
**Temperature:** +105° C

Pinout	Style	Model	Length	Dimensions	Used With
 <p>1 = Green 2 = Red/Black 3 = Red/White</p>	Straight	MQDC-306	2 m		<ul style="list-style-type: none"> <li>• MINI-BEAM ac SM2A312 sensors</li> </ul>
		MQDC-315	5 m		
		MQDC-330	9 m		
	Right-Angle	MQDC-306RA	2 m		
		MQDC-315RA	5 m		
		MQDC-330RA	9 m		

**4-Pin Micro-Style Cables**  
**Cable:** PVC jacket, 4 x 22 AWG  
**Conductors:** PUR (polyurethane) body, nickel-plated brass coupling nut, gold-plated contacts  
**Voltage/Current Rating:** 250V ac/dc, 4.0 A  
**Temperature:** +105° C

Pinout	Style	Model	Length	Dimensions	Used With
 <p>1 = Red/Black 2 = Red/White 3 = Red 4 = Green</p>	Straight	MQAC-406	2 m		<ul style="list-style-type: none"> <li>• Q45 ac series (suffix Q1)</li> <li>• S18, M18, T18, Q25, S30, T30 &amp; Q40 ac sensors (suffix Q1)</li> <li>• Q60</li> </ul>
		MQAC-415	5 m		
		MQAC-430	9 m		
	Right-Angle	MQAC-406RA	2 m		
		MQAC-415RA	5 m		
		MQAC-430RA	9 m		

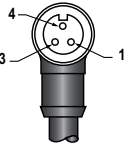
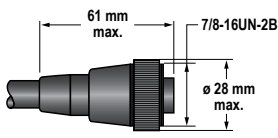
**5-Pin Micro-Style Cables with Shield**  
**Cable:** PVC jacket, 5 x 22 AWG with 22 AWG drain wire  
**Conductors:** PUR (polyurethane) body, nickel-plated brass coupling nut, gold-plated contacts  
**Voltage Rating:** 250V ac/dc, 4.0 A  
**Temperature:** +105° C

Pinout	Style	Model	Length	Dimensions	Used With
 <p>1 = Brown 2 = White 3 = Yellow 4 = Black 5 = Blue</p>	Straight	MQVR3S-506	2 m		<ul style="list-style-type: none"> <li>• QT50U ac/dc sensors</li> <li>• EZ-LIGHT ac indicators</li> </ul>
		MQVR3S-515	5 m		
		MQVR3S-530	9 m		
	Right-Angle	MQVR3S-506RA	2 m		
		MQVR3S-515RA	5 m		
		MQVR3S-530RA	9 m		

BRACKETS  
 CABLES  
 RETROREFLECTORS  
 ENCLOSURES/  
 LENS SHIELDS  
 MISCELLANEOUS

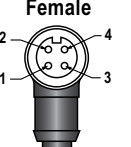
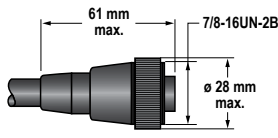
### 3-Pin Mini-Style Cables

**Cable:** PVC jacket, PUR (polyurethane) connector body, nylon coupling nut  
**Conductors:** 18 AWG high-flex stranded. PVC insulation, gold-plated contacts  
**Voltage Rating:** 250V ac/300V dc  
**Temperature:** -40° to +80° C

Pinout	Style	Model	Length	Dimensions	Used With
 <p>1 = Brown 3 = Blue 4 = Black</p>	Straight	MBCC-306	2 m		<ul style="list-style-type: none"> <li>• Q45</li> </ul>
		MBCC-312	4 m		
		MBCC-330	9 m		
	Straight	SMICC-306	2 m		<ul style="list-style-type: none"> <li>• SMI30 Intrinsically safe dc sensors</li> </ul>
		SMICC-312	4 m		
		SMICC-330	9 m		
1=Red/Black 3=Red/White 4=Green	Straight	SM30CC-306	2 m	<ul style="list-style-type: none"> <li>• SM30 2-wire ac sensors</li> </ul>	
		SM30CC-312	4 m		

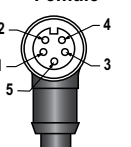
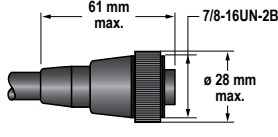
### 4-Pin Mini-Style Cables

**Cable:** PVC jacket, PUR (polyurethane) connector body, nylon coupling nut  
**Conductors:** 18 AWG high-flex stranded. PVC insulation, gold-plated contacts  
**Voltage/Current Rating:** 250V ac/300V dc  
**Temperature:** -40° to +80° C

Pinout	Style	Model	Length	Dimensions	Used With
 <p>1 = Brown 2 = White 3 = Blue 4 = Black</p>	Straight	MBCC-406	2 m		<ul style="list-style-type: none"> <li>• Q45 dc sensors (suffix Q)</li> <li>• OMNI-BEAM dc power blocks</li> <li>• SM30 dc sensors</li> <li>• OTB w/solid-state output</li> <li>• STB with solid-state output</li> </ul>
		MBCC-412	4 m		
		MBCC-430	9 m		

### 5-Pin Mini-Style Cables

**Cable:** PVC jacket, PUR (polyurethane) connector body, nylon coupling nut  
**Conductors:** 18 AWG high-flex stranded, gold-plated contacts  
**Voltage Rating:** 250V ac/300V dc  
**Temperature:** -40° to +90° C

Pinout	Style	Model	Length	Dimensions	Used With
 <p>1 = Brown 2 = White 3 = Blue 4 = Black 5 = Yellow</p>	Straight	MBCC-506	2 m		<ul style="list-style-type: none"> <li>• Q45 Laser Retro</li> <li>• OMNI-BEAM ac power blocks</li> <li>• OMNI-BEAM dc w/ e/m relay</li> <li>• OTB &amp; LTB w/SPDT relay</li> <li>• Q45 5-wire ac</li> <li>• STB with e/m relay</li> </ul>
		MBCC-512	4 m		
		MBCC-530	9 m		

BRACKETS

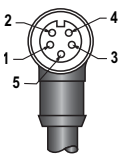
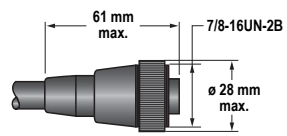
CABLES

RETROREFLECTORS

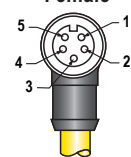
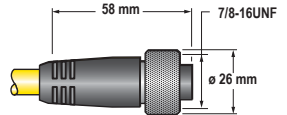
ENCLOSURES/  
LENS SHIELDS

MISCELLANEOUS

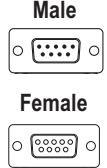
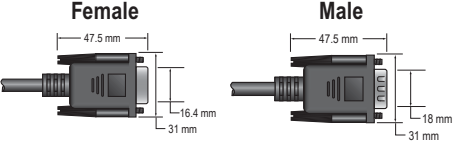
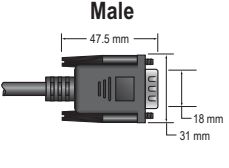
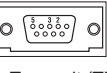
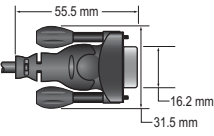
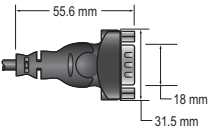
**5-Pin Mini-Style Cables with Shield**  
**Cable:** PVC jacket, PUR (polyurethane) connector body, nylon coupling nut  
**Conductors:** 18 AWG high-flex stranded, PVC insulation, gold-plated contacts  
**Voltage Rating:** 250V ac/300V dc  
**Temperature:** -40° to +80° C

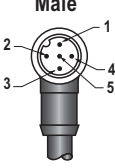
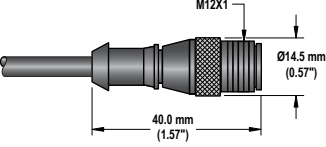
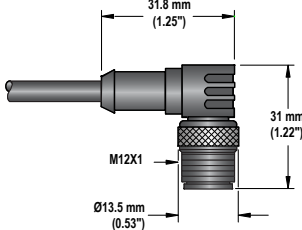
Pinout	Style	Model	Length	Dimensions	Used With
<p><b>Female</b></p>  <p>1 = Brown 2 = White 3 = Blue 4 = Black 5 = Yellow</p>	Straight	MBCC2-506	2 m		<ul style="list-style-type: none"> <li>• QT50U</li> <li>• Q45U</li> <li>• Q45UR</li> </ul>
		MBCC2-512	4 m		
		MBCC2-530	9 m		


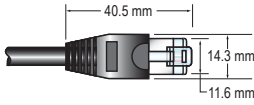
**5-Pin Mini-Style Cables with Shield and “Twisted Pair”**  
**Cable:** PVC jacket, PUR (polyurethane) connector body, nickel-plated brass coupling nut  
**Conductors:** 18 AWG high-flex stranded, PVC insulation, gold-plated contacts  
**Voltage Rating:** 250V ac/300V dc  
**Temperature:** -40° to +80° C


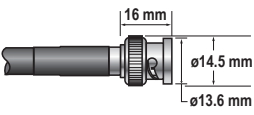
Pinout	Style	Model	Length	Dimensions	Used With
<p><b>Female</b></p>  <p>1 = Black 2 = Blue 3 = Drain 4 = Brown 5 = White</p>	Straight	QDC-515C	5 m		<ul style="list-style-type: none"> <li>• MINI-ARRAY</li> <li>• High-Resolution MINI-ARRAY</li> </ul>
		QDC-525C	8 m		
		QDC-550C	15 m		
		MAQDC-575C	22 m		
		MAQDC-5100C	30 m		
		MAQDC-5125C	38 m		
		MAQDC-5150C	45 m		

- BRACKETS
- CABLES
- RETROREFLECTORS
- ENCLOSURES/ LENS SHIELDS
- MISCELLANEOUS

DB9 Communication Cordsets						
End View	Style	Model	Length	Dimensions		Used With
 <p><b>Male</b></p> <p><b>Female</b></p>	Male DB9/ Female DB9	DB9P06	2 m			• Pro
		DB9P15	5 m			
		DB9P30	9 m			
 <p><b>Female</b></p> <p>2 = Transmit (TX) 3 = Receive (RX) 5 = Ground (GRD)</p>	Male DB9/ Female DB9	MASC	2 m			<ul style="list-style-type: none"> <li>• MINI-ARRAY</li> <li>• High-Resolution MINI-ARRAY</li> </ul>

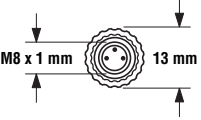
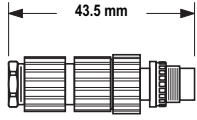
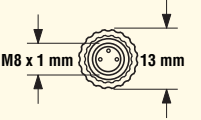
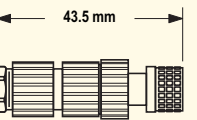
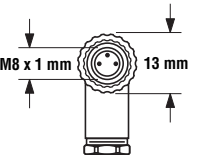
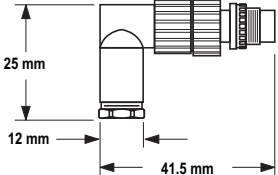
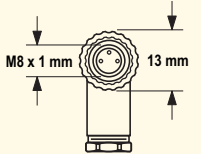
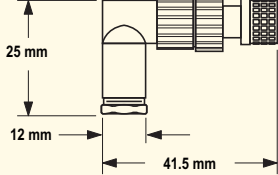
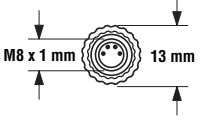
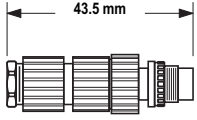
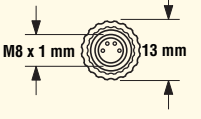
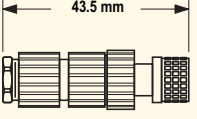
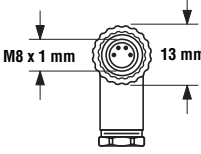
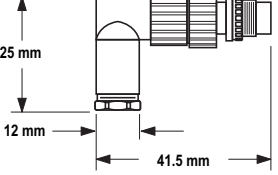
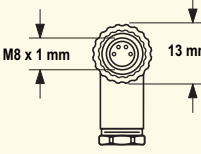
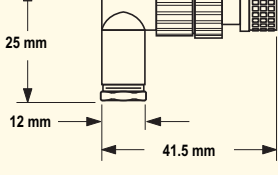
Communication Cordsets						
End View	Style	Model	Length	Dimensions		Used With
 <p>1 = Brown 2 = White 3 = Blue 4 = Black 5 = Gray</p>	Straight	MQDMC-506	2 m			• EZ-ARRAY to INTUSB485-1 USB Serial Adapter
		MQDMC-515	5 m			
		MQDMC-530	9 m			
	Right-Angle	MQDMC-506RA	2 m			
		MQDMC-515RA	5 m			
		MQDMC-530RA	9 m			

RJ45 Ethernet Cordsets						
End View	Style	Model	Length	Dimensions		Used With
	Cat5e Shielded	STP07	2.1 m			• Pro • P4
	Cat5e Crossover Shielded	STPX07				
	Cat5e Shielded	STP25	7.3 m			
	Cat5e Crossover Shielded	STPX25				
	Cat5e Shielded	STPX75	23 m			

BNC Coaxial Video Cordsets						
Pinout	Style	Model	Length	Dimensions		Used With
 <p><b>Male</b></p>	Video Coaxial with BNC	BNC06	2 m			• Pro • P4
		BNC15	5 m			
		BNC30	9 m			

BRACKETS  
CABLES  
RETROREFLECTORS  
ENCLOSURES/  
LENS SHIELDS  
MISCELLANEOUS

**Pico-Style Field-Wireable Connectors (M8)**  
**Contacts:** Gold-plated, rated 60V ac/dc max., 4 A max.  
**Cable Diameter:** 4.0 to 5.0 mm  
**Temperature:** -25° to +70° C  
**Environmental Rating:** NEMA 6P, IP67

Pinout	Style	Model	Dimensions
	3-Pin Male Straight	FIC-M8M3	
	3-Pin Female Straight	FIC-M8F3	
	3-Pin Male Right-Angle	FIC-M8M3A	
	3-Pin Female Right-Angle	FIC-M8F3A	
	4-Pin Male Straight	FIC-M8M4	
	4-Pin Female Straight	FIC-M8F4	
	4-Pin Male Right-Angle	FIC-M8M4A	
	4-Pin Female Right-Angle	FIC-M8F4A	

- BRACKETS
- CABLES
- RETROREFLECTORS
- ENCLOSURES/ LENS SHIELDS
- MISCELLANEOUS


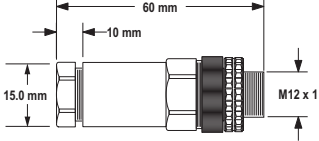

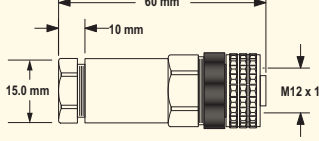
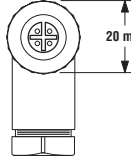
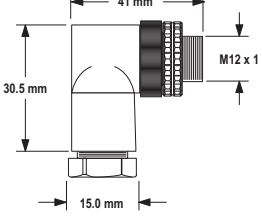
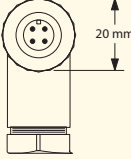
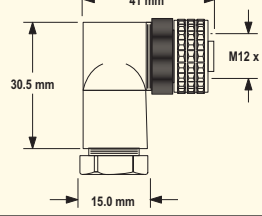

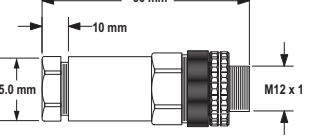

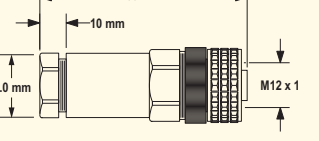
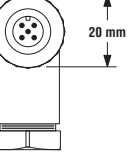
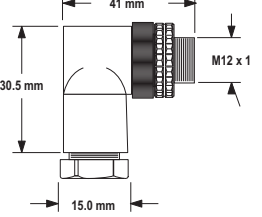
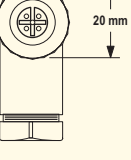
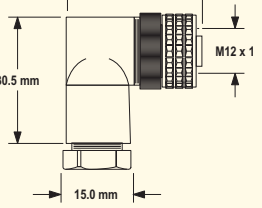
### Euro-Style Field-Wireable Connectors (M12)

**Contacts:** Gold-plated; 4-pin models rated 250V ac/dc max., 4 A max.; 5-pin models rated 50V ac/dc max., 4 A max.

**Cable Diameter:** 4.0 to 5.0 mm

**Temperature:** -25° to +90° C

**Environmental Rating:** NEMA 6P, IP67

Pinout	Style	Model	Dimensions
	4-Pin Male Straight	<b>FIC-M12M4</b>	
	4-Pin Female Straight	<b>FIC-M12F4</b>	
	4-Pin Male Right-Angle	<b>FIC-M12M4A</b>	
	4-Pin Female Right-Angle	<b>FIC-M12F4A</b>	
	5-Pin Male Straight	<b>FIC-M12M5</b>	
	5-Pin Female Straight	<b>FIC-M12F5</b>	
	5-Pin Male Right-Angle	<b>FIC-M12M5A</b>	
	5-Pin Female Right-Angle	<b>FIC-M12F5A</b>	

BRACKETS

CABLES

RETROREFLECTORS

ENCLOSURES/  
LENS SHIELDS

MISCELLANEOUS