

THE INFORMATION CONTAINED HEREIN IS CONSIDERED "PROPRIETARY" TO BEL FUSE INC. AND SHALL NOT BE COPIED, REPRODUCED OR DISCLOSED WITHOUT THE WRITTEN APPROVAL OF BEL FUSE INC.

LED1 POLARITY			LED2 POLARITY		
PIN 13	PIN 14	COLOR	PIN 15	PIN 16	COLOR
/	/	/	+	-	YELLOW
-	+	GREEN	-	+	GREEN

ELECTRICAL CHARACTERISTICS @ 25°C

URNS RATIO

TP1	1CT : 1CT ±2%
TP2	1CT : 1CT ±2%
TP3	1CT : 1CT ±2%
TP4	1CT : 1CT ±2%

□CL @ 100kHz/100mVRMS

8mA DC BIAS 350µH MIN.

INS. LOSS

0.1MHz TO 1MHz	-1.1 dB MAX
1MHz TO 65MHz	-0.5 dB MAX
65MHz TO 100MHz	-0.8 dB MAX
100MHz TO 125MHz	-1.2 dB MAX

RET. LOSS (MIN)

0.5MHz-40MHz	-18 dB
40MHz-100MHz	-12+20LOG(f/80MHz) dB

CM TO CM REJ

100kHz - 100MHz -30 dB MIN

CM TO DM REJ

100kHz - 100MHz -35 dB MIN

HIPOT (Isolation Voltage):

1500 Vrms

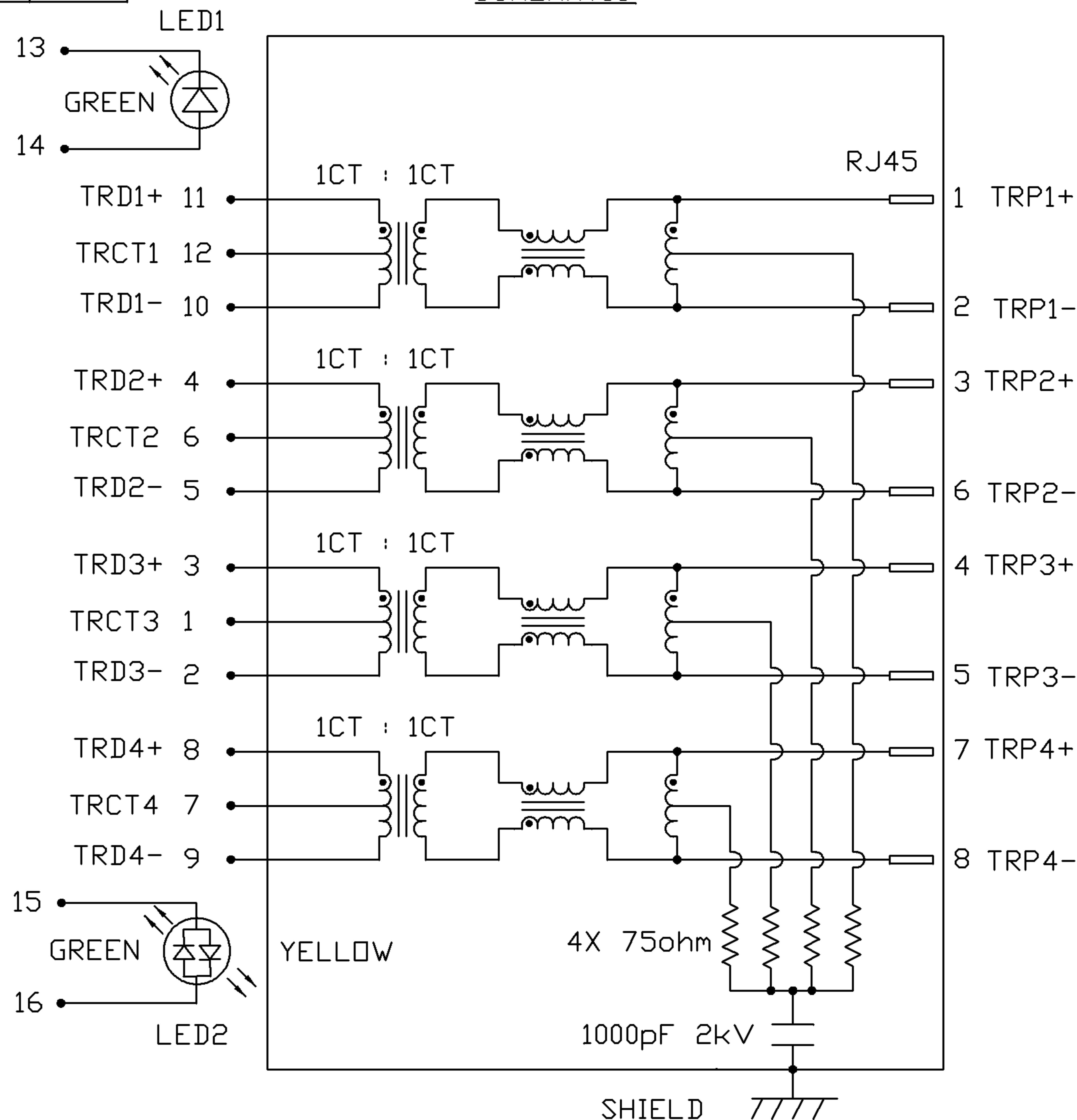
LED 1

VF (FORWARD VOLTAGE) IF=20mA GREEN 2.2V TYP.
 λD (DOMINANT WAVELENGTH) IF=20mA GREEN 565nm TYP.

LED 2

VF (FORWARD VOLTAGE) IF=20mA GREEN 2.2V TYP.
 IF=20mA YELLOW 2.1V TYP.
 λD (DOMINANT WAVELENGTH) IF=20mA GREEN 565nm TYP.
 IF=20mA YELLOW 590nm TYP.

SCHEMATIC



ORIGINATED BY	DATE	TITLE	PART NO. / DRAWING NO.	STANDARD DIM. TOL. IN INCH	[] METRIC DIM. AS REFERENCE
CHOW WANCHUNG	08-19-08	1X4 gigabit MagJack® (12 cores, Tab Up)	0826-1K4T-23	.X	UNIT : INCH [mm] REV. : C
DRAWN BY	DATE		FILE NAME	.XX	SCALE : N/A SIZE : A4
LEE WEIDE	08-19-08		0826-1K4T-23_C.DWG	.XXX	PAGE : 2



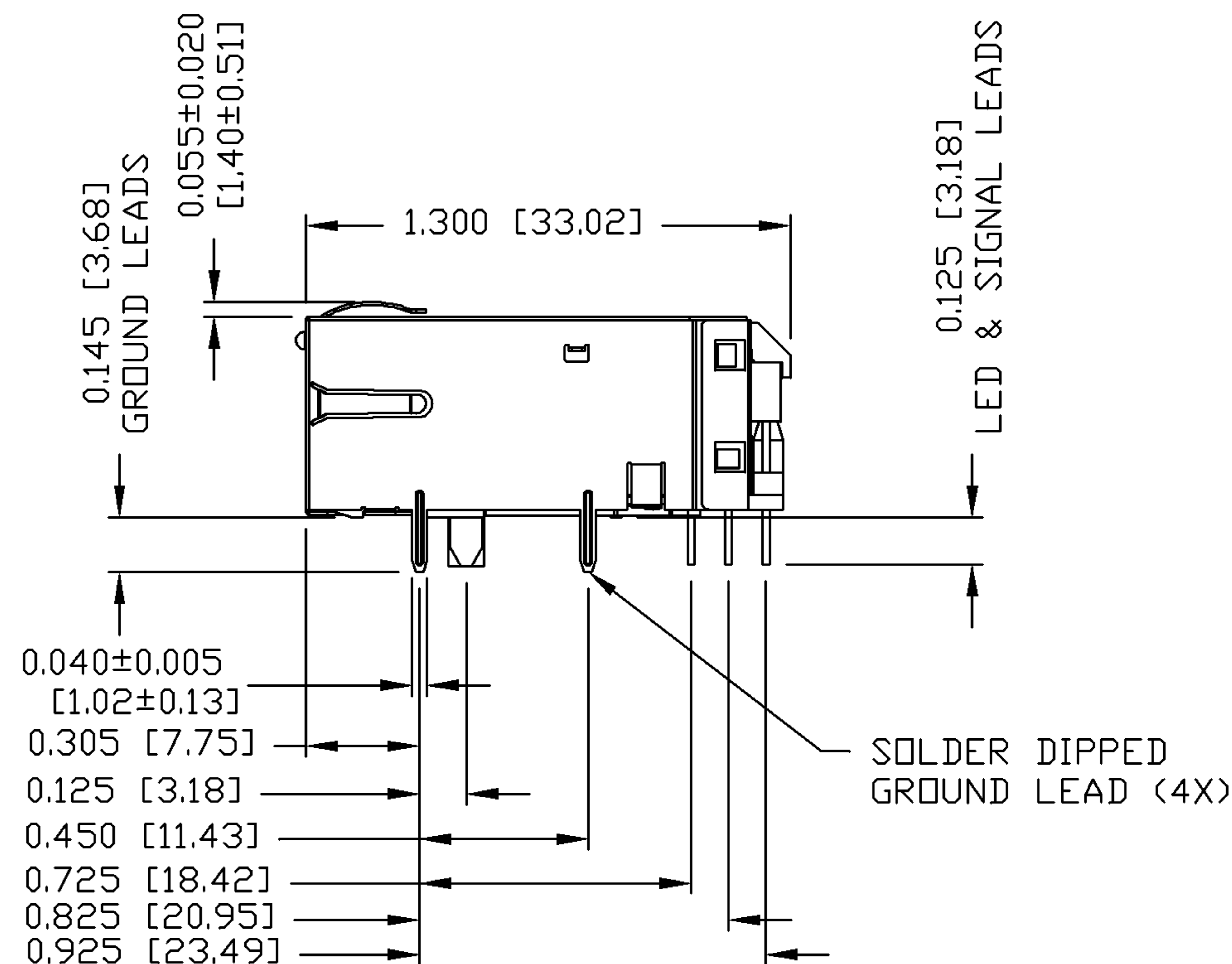
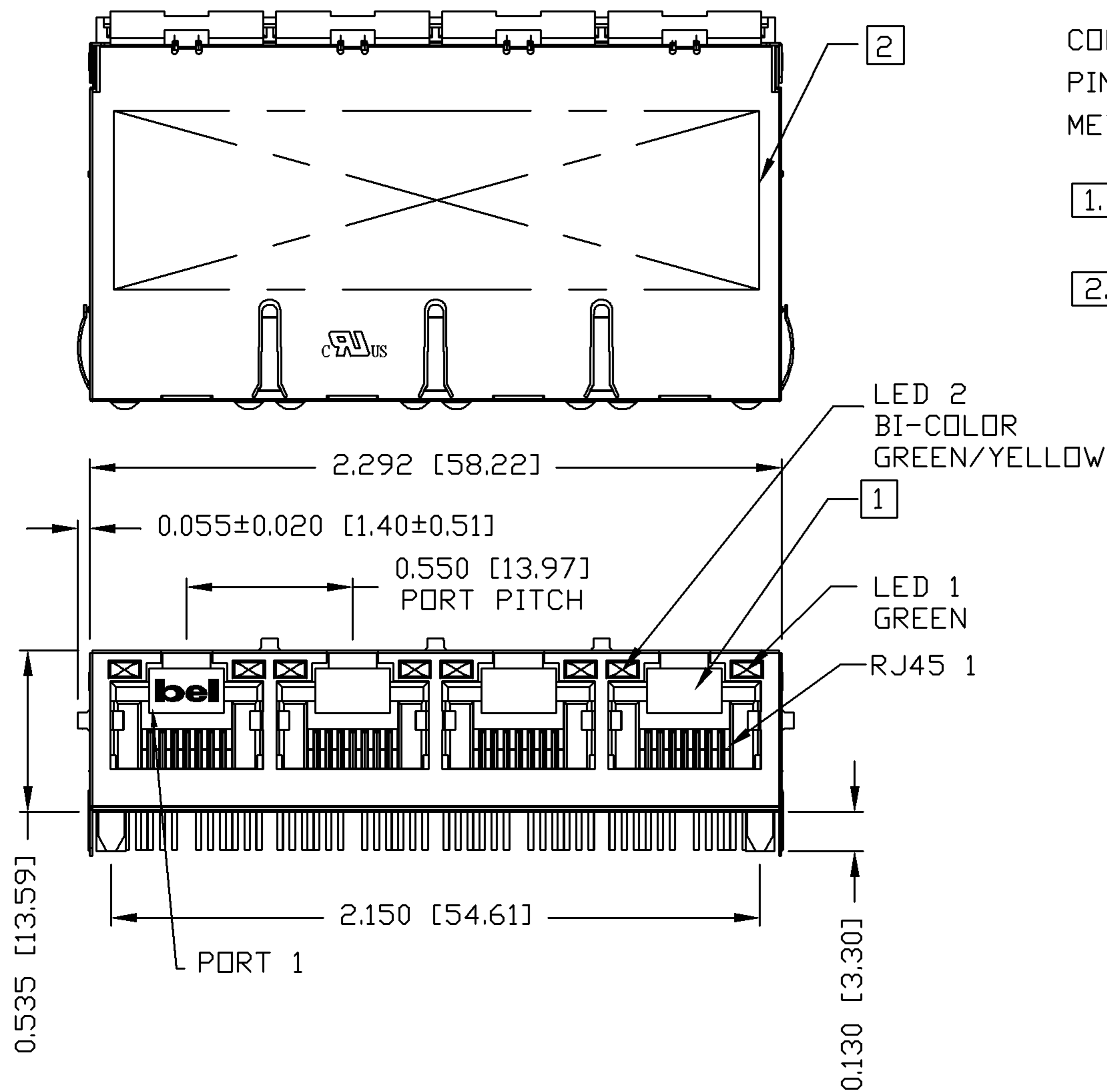
THE INFORMATION CONTAINED HEREIN IS CONSIDERED "PROPRIETARY" TO BEL FUSE INC. AND SHALL NOT BE COPIED, REPRODUCED OR DISCLOSED WITHOUT THE WRITTEN APPROVAL OF BEL FUSE INC.


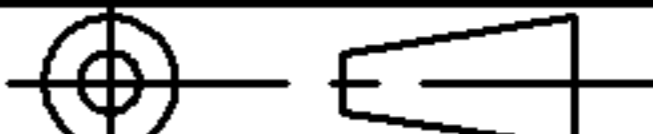
NOTES:

PLASTIC HOUSING: THERMOPLASTIC PBT
 FLAMMABILITY RATING UL 94V-0
 CONTACTS PLATING: 50 MICRO-INCH HARD GOLD PLATING
 PINS: TIN-COATED COPPER WIRE, DIA 0.018 INCH.
 METAL SHIELD: NICKEL PLATED ON COPPER ALLOY.
 (ALL GROUND LEADS ARE SOLDER DIPPED)

- [1.] JACK CAVITY CONFORMS TO FCC RULES AND REGULATIONS, PART 68 SUBPART F.
- [2.] MARK PART WITH MFG. LOGO; MFG. NAME; PART NUMBER; DATE CODE.

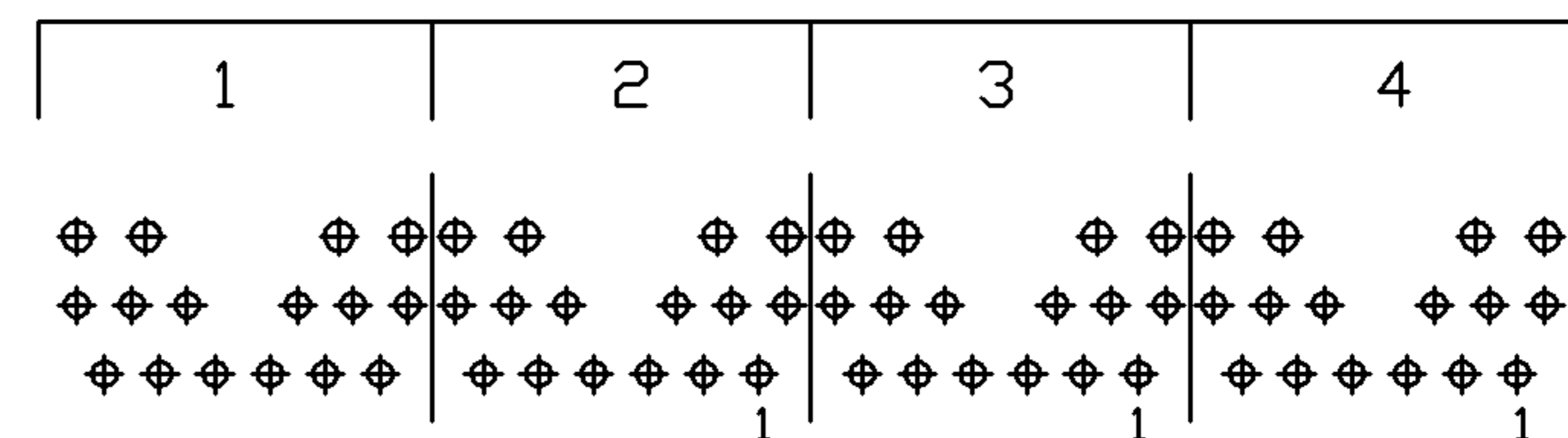
 US UL RECOGNIZED - FILE #E196366 AND E169987.



ORIGINATED BY ZX HUANG	DATE 08-19-08	TITLE 1X4 gigabit MagJack® (12 cores, Tab Up)	PART NO. / DRAWING NO. 0826-1K4T-23	STANDARD DIM. TOL. IN INCH	[] METRIC DIM. AS REFERENCE	 COMPONENTS FOR A CONNECTED PLANET
DRAWN BY BL CHEN	DATE 08-19-08		FILE NAME 0826-1K4T-23_C.DWG	.X .XX .XXX	UNIT : INCH [mm] SCALE : N/A	
				±0.010		

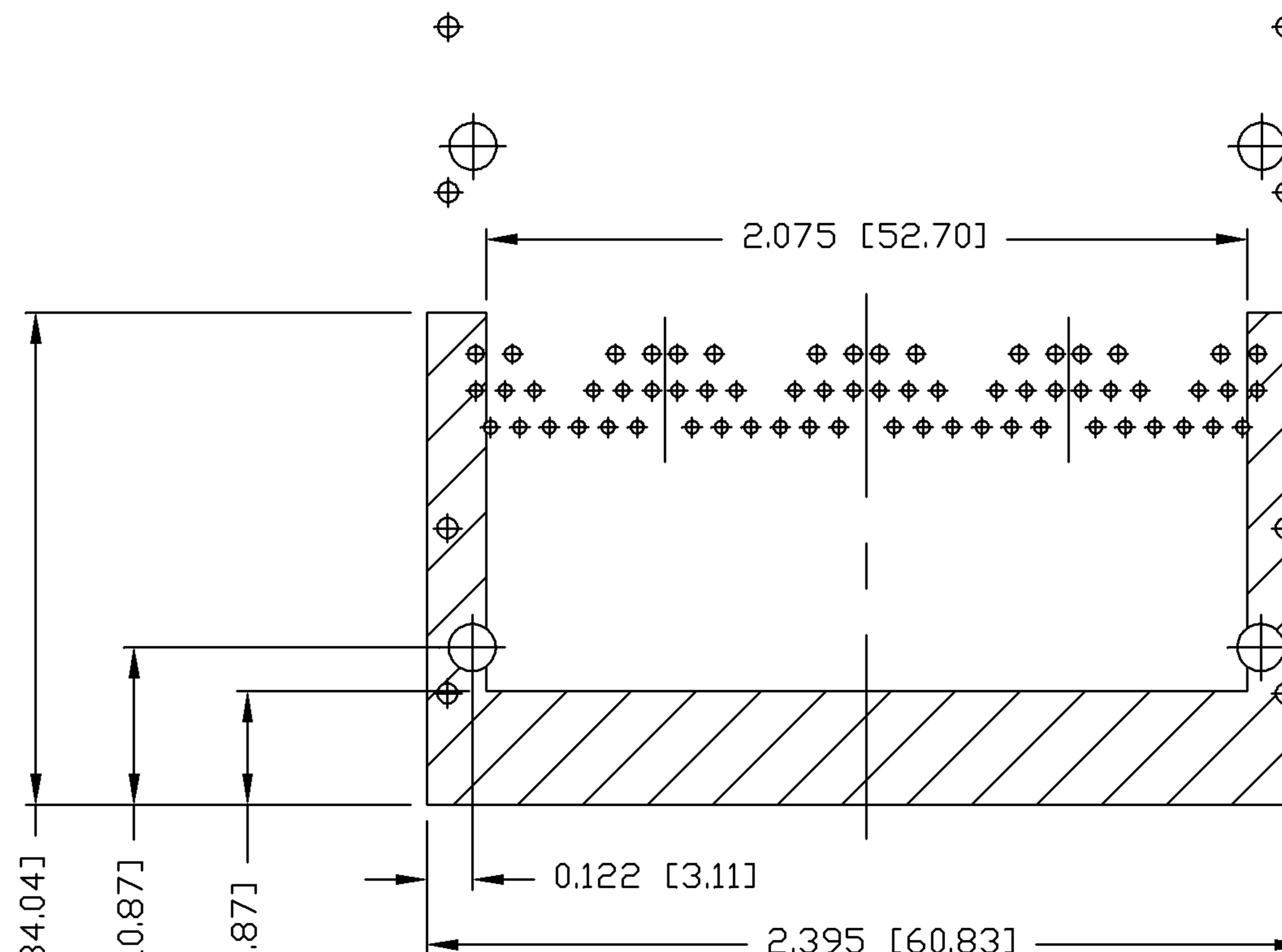
THE INFORMATION CONTAINED HEREIN IS CONSIDERED "PROPRIETARY" TO BEL FUSE INC. AND SHALL NOT BE COPIED, REPRODUCED OR DISCLOSED WITHOUT THE WRITTEN APPROVAL OF BEL FUSE INC.

PORT ASSIGNMENT
(COMPONENT SIDE VIEW)



PIN-OUT INFORMATION
(COMPONENT SIDE VIEW)

12	TRCT1
11	TRD1+
10	TRD1-
9	TRD4-
8	TRD4+
7	TRCT4
6	TRCT2
5	TRD2-
4	TRD2+
3	TRD3+
2	TRD3-
1	TRCT3



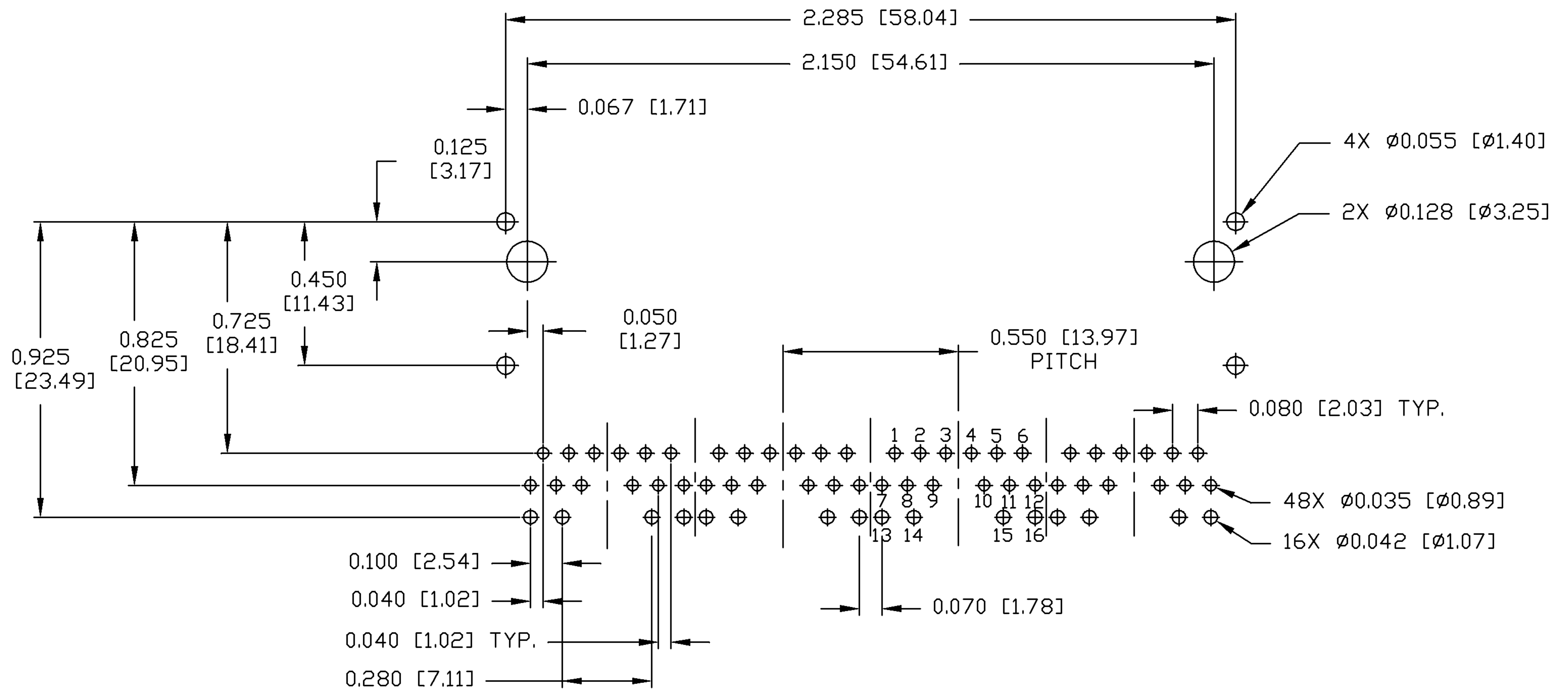
NOTES:

THE SHADED AREA ON THE CUSTOMER BOARD ARE RECOMMENDED TO BE CLEAR OFF ANY VIA HOLE OR COMPONENT PAD.

ORIGINATED BY ZX HUANG	DATE 08-19-08	TITLE 1X4 gigabit MagJack® (12 cores, Tab Up)	PART NO. / DRAWING NO. 0826-1K4T-23	STANDARD DIM. TOL. IN INCH	[] METRIC DIM. AS REFERENCE
DRAWN BY BL CHEN	DATE 08-19-08		FILE NAME 0826-1K4T-23_C.DWG	.X .XX .XXX	UNIT : INCH [mm] SCALE : N/A ±0.004



THE INFORMATION CONTAINED HEREIN IS CONSIDERED "PROPRIETARY" TO BEL FUSE INC. AND SHALL NOT BE COPIED, REPRODUCED OR DISCLOSED WITHOUT THE WRITTEN APPROVAL OF BEL FUSE INC.



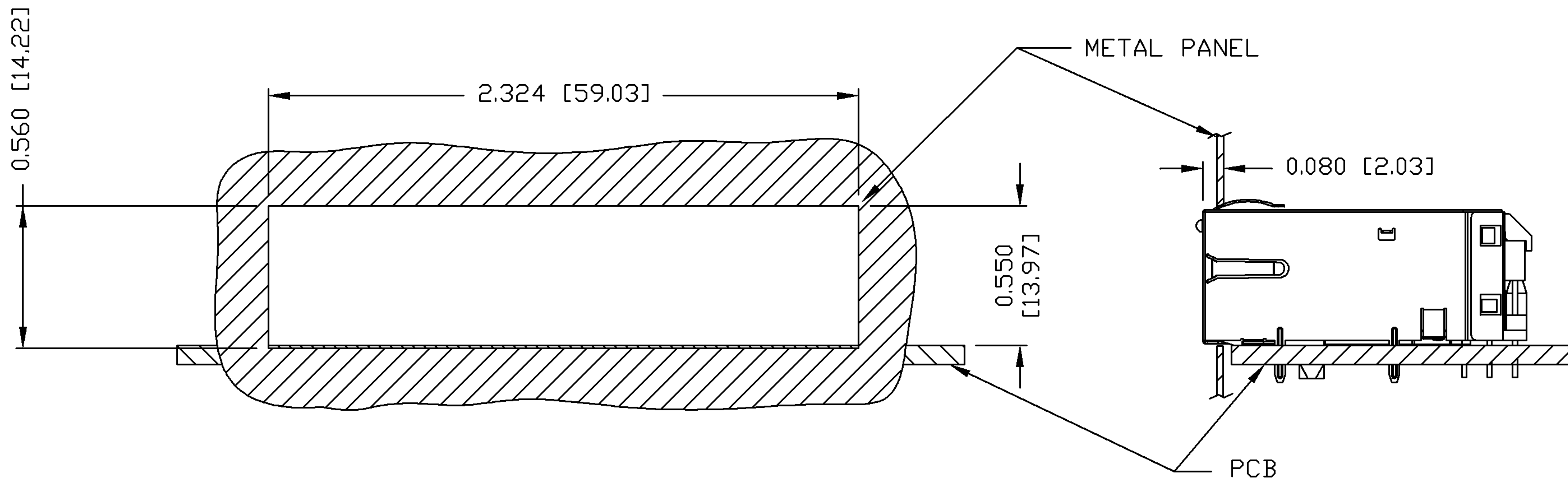
RECOMMENDED PCB FOOTPRINT
COMPONENT SIDE VIEW

ORIGINATED BY	DATE	TITLE	PART NO. / DRAWING NO.	STANDARD DIM. TOL. IN INCH	[] METRIC DIM. AS REFERENCE	
ZX HUANG	08-19-08		0826-1K4T-23	.X	UNIT : INCH [mm]	REV. : C
DRAWN BY	DATE	1X4 gigabit MagJack® (12 cores, Tab Up)	FILE NAME	.XX	SCALE : N/A	
BL CHEN	08-19-08		0826-1K4T-23_C.DWG	.XXX	±0.004	SIZE : A4
						PAGE : 5



THE INFORMATION CONTAINED HEREIN IS CONSIDERED "PROPRIETARY" TO BEL FUSE INC. AND SHALL NOT BE COPIED, REPRODUCED OR DISCLOSED WITHOUT THE WRITTEN APPROVAL OF BEL FUSE INC.

SUGGESTED PANEL OPENING



NOTES:

THE DISTANCE OF PANEL INSIDE SURFACE RELATIVE TO FRONT SURFACE OF PART IS ONLY A SUGGESTION. IN CASE THIS DISTANCE IS DIFFERENT, THE REQUIRED PANEL OPENING DIMENSIONS CHANGE ACCORDINGLY.

PACKING INFORMATION

PACKING TRAY : 0200-9999-B4 (TOP)

0200-9999-B5 (BOTTOM)

PACKING QUANTITY : 24 PCS FINISHED GOODS PER TRAY

10 TRAYS (240 PCS FINISHED GOODS) PER CARTON BOX

NOTE : CARDBOARDS ARE PLACED BETWEEN LAYERS OF PACKING TRAY INSIDE CARTON BOX (INCLUDE THE UPPERMOST AND LOWERMOST TRAY)

ORIGINATED BY ZX HUANG	DATE 08-19-08	TITLE 1X4 gigabit MagJack® (12 cores, Tab Up)	PART NO. / DRAWING NO. 0826-1K4T-23	STANDARD DIM. TOL. IN INCH .X .XX .XXX ±0.004	[] METRIC DIM. AS REFERENCE		bel COMPONENTS FOR A CONNECTED PLANET
DRAWN BY BL CHEN	DATE 08-19-08		FILE NAME 0826-1K4T-23_C.DWG		UNIT : INCH [mm]	REV. : C	
				SCALE : N/A	SIZE : A4		
				⊕ — E —	PAGE : 6		