

INTEGRATED CONNECTOR MODULES

08C2-1X1T-03 10/100Base-TX Single Port MagJack® with LEDs



LED1 POLARITY			LED2 POLARITY		
PIN 7	PIN 8	COLOR	PIN 9	PIN 10	COLOR
-	+	YELLOW	+	-	ORANGE
			-	+	GREEN

ELECTRICAL CHARACTERISTICS @ 25°C

URNS RATIO

TX 1CT : 1
RX 1CT : 1

DCL @ 100kHz/100mVRMS

8mA DC BIAS 350µH MIN.

INS. LOSS

1MHZ TO 100MHZ -1.0 dB MAX

RET. LOSS (MIN)

1MHZ-30MHZ -18 dB
30MHZ-60MHZ -18+20LOG(F/30MHZ) dB
60MHZ-80MHZ -12 dB

CROSS TALK (TX - RX)

100kHz-100MHZ -35 dB MIN

CM TO CM REJ

100kHz-100MHZ -30 dB MIN

CM TO DM REJ

100kHz-100MHZ -35 dB MIN

HIPOT (Isolation Voltage)

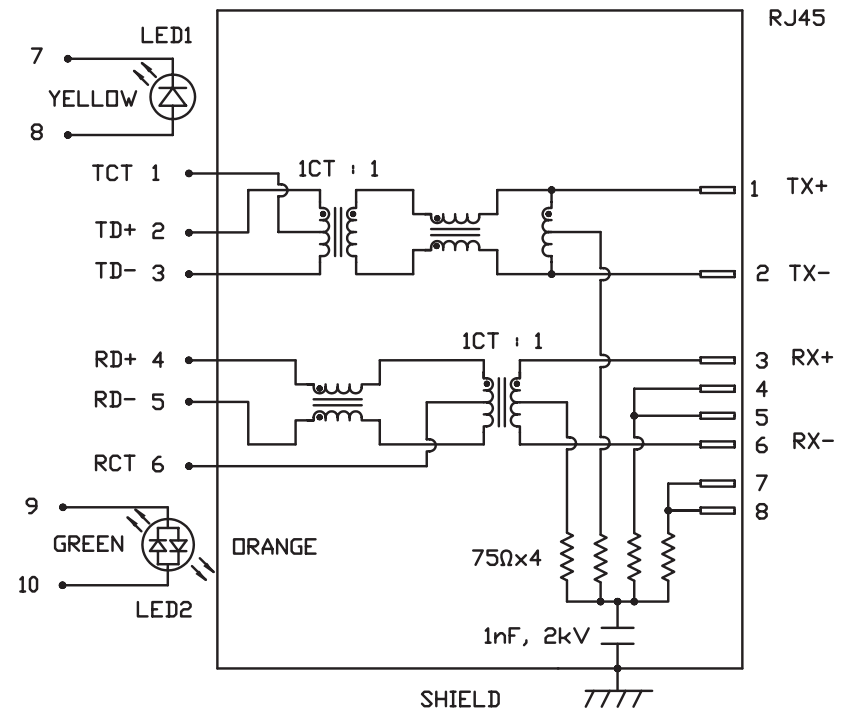
1500 Vrms

LED 1

VF (FORWARD VOLTAGE) IF=20mA YELLOW 2.1V TYP.
λD (DOMINANT WAVELENGTH) IF=20mA YELLOW 590nm TYP.

LED 2

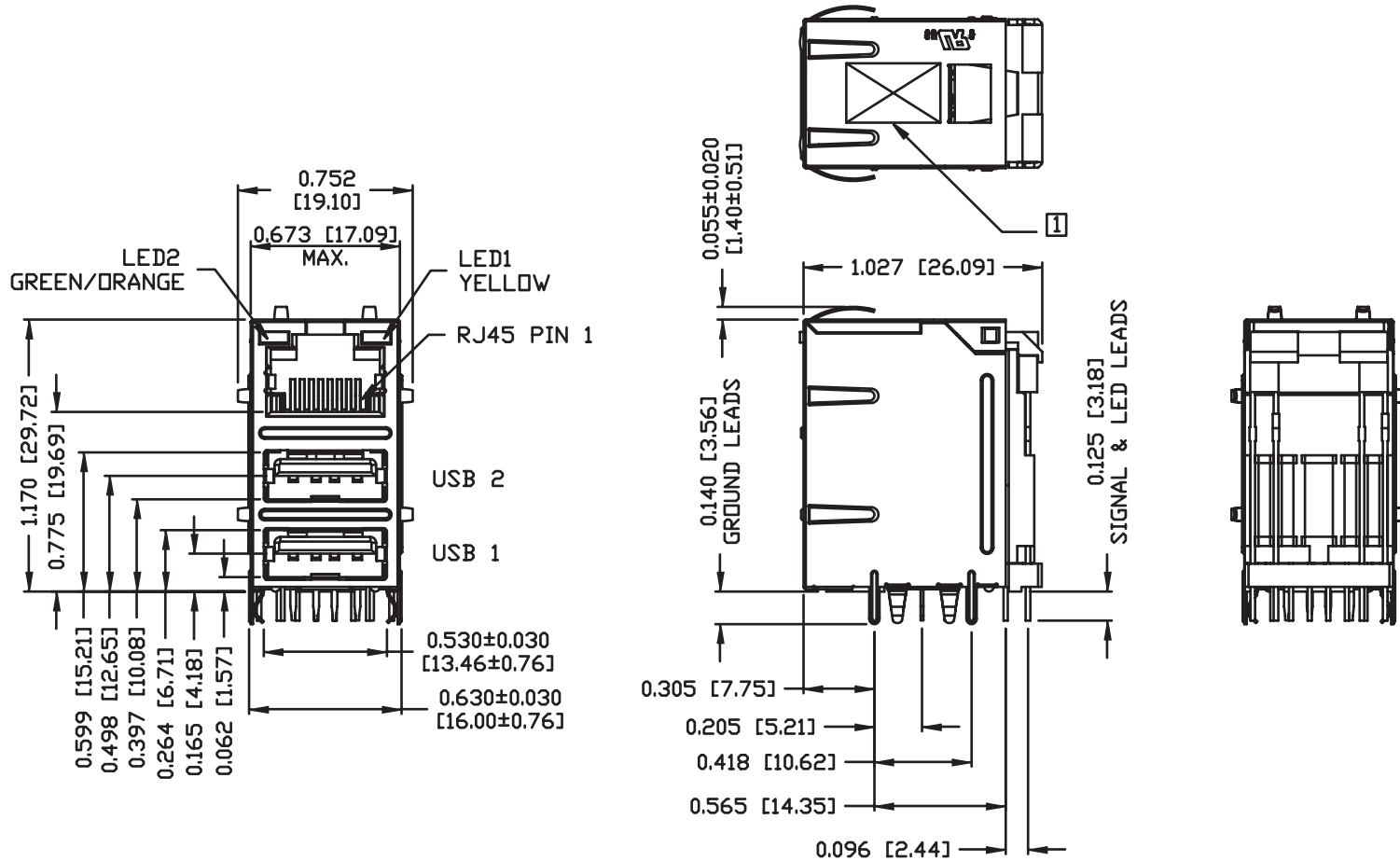
VF (FORWARD VOLTAGE) IF=20mA GREEN 2.2V TYP.
ORANGE 2.0V TYP.
λD (DOMINANT WAVELENGTH) IF=20mA GREEN 565nm TYP.
ORANGE 610nm TYP.



USB ELECTRICAL:
INSULATION RESISTANCE: 1000 MEGA Ω (MIN)
CONTACT RESISTANCE: 25 MILLI Ω (MAX)
DIELECTRIC WITHSTANDING: 750 VAC

INTEGRATED CONNECTOR MODULES

08C2-1X1T-03 10/100Base-TX Single Port MagJack® with LEDs

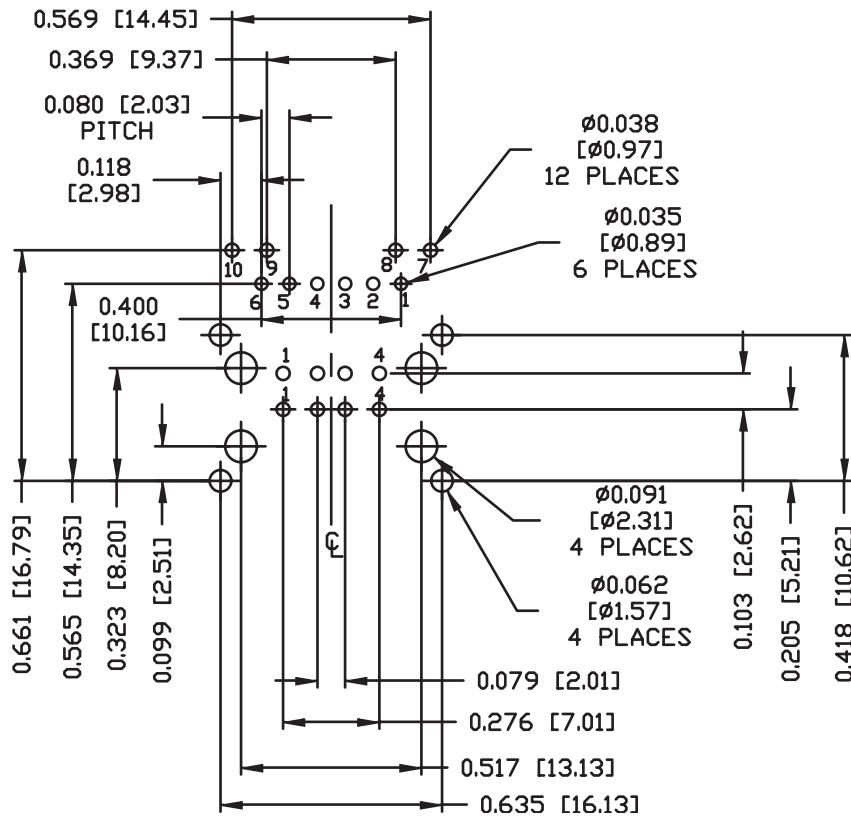


INTEGRATED CONNECTOR MODULES

08C2-1X1T-03 10/100Base-TX Single Port MagJack® with LEDs



Recommended PCB footprint
Component Side



RJ45 MECHANICAL:
PLASTIC HOUSING:
CONTACT PLATING:
PINS:
METAL SHIELD:
USB MECHANICAL:
MATING FORCE:
UNMATING FORCE:
CONTACT:

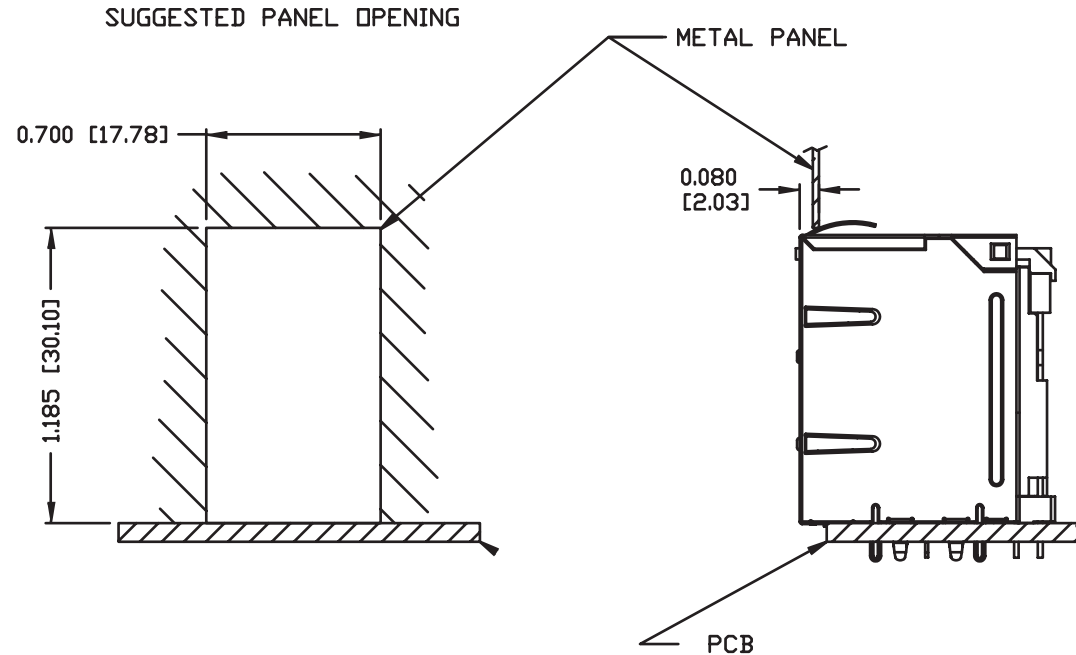
THERMOPLASTIC PBT OR EQUIVALENT.
FLAMMABILITY RATING UL 94V-0
30 MICRO-INCH HARD GOLD PLATING
TIN-COATED COPPER WIRE, DIA 0.018 INCH.
TIN PLATED ON COPPER ALLOY.

35 NEWTONS MAXIMUM
10 NEWTONS MINIMUM
PHOSPHOR BRONZE
30 MICRO-INCH GOLD PLATING ON CONTACT
AREA AND TIN ON SOLDER TAIL.

US UL RECOGNIZED - FILE #E196366 AND E169987.

1. MARK PART WITH MFG LOGO, MFG NAME, PART NUMBER, AND DATE CODE.
2. RoHS COMPLIANCE, PER EU DIRECTIVE 2002/95/EC.

INTEGRATED CONNECTOR MODULES
08C2-1X1T-03 10/100Base-TX Single Port MagJack® with LEDs



NOTE:

THE DISTANCE OF PANEL INSIDE SURFACE RELATIVE TO FRONT SURFACE OF PART IS ONLY A SUGGESTION. IN CASE THIS DISTANCE IS DIFFERENT, THE REQUIRED PANEL OPENING DIMENSIONS CHANGE ACCORDINGLY.

PACKING INFORMATION

PACKING TRAY : 0200-9999-A3

PACKING QUANTITY : 42 PCS FINISHED GOODS PER TRAY

10 TRAYS (420 PCS FINISHED GOODS) PER CARTON BOX

NOTE : CARDBOARDS ARE PLACED BETWEEN LAYERS OF PACKING TRAY INSIDE CARTON BOX (INCLUDE THE UPPERMOST AND LOWERMOST TRAY)