

THE INFORMATION CONTAINED HEREIN IS CONSIDERED "PROPRIETARY" TO BEL FUSE INC. AND SHALL NOT BE COPIED, REPRODUCED OR DISCLOSED WITHOUT THE WRITTEN APPROVAL OF BEL FUSE INC.

RoHS

LED 2 & 4 POLARITY			LED 1 & 3 POLARITY		
PIN 11	PIN 12	COLOR	PIN 13	PIN 14	COLOR
+	-	GREEN	+	-	GREEN

ELECTRICAL CHARACTERISTICS @ 25°C

URNS RATIO

TP1	1CT : 1CT ±2%
TP2	1CT : 1CT ±2%
TP3	1CT : 1CT ±2%
TP4	1CT : 1CT ±2%

QCL @ 100kHz/100mVRMS

8mA DC BIAS 350µH MIN.

INS. LOSS

0.1MHz TO 1MHz	-1.1 dB MAX
1MHz TO 65MHz	-0.5 dB MAX
65MHz TO 100MHz	-0.8 dB MAX
100MHz TO 125MHz	-1.2 dB MAX

RET. LOSS (MIN)

0.5MHz-40MHz	-18 dB
40MHz-100MHz	-12+20LOG(f/80MHz) dB

CM TO CM REJ

100kHz - 100MHz -30 dB MIN

CM TO DM REJ

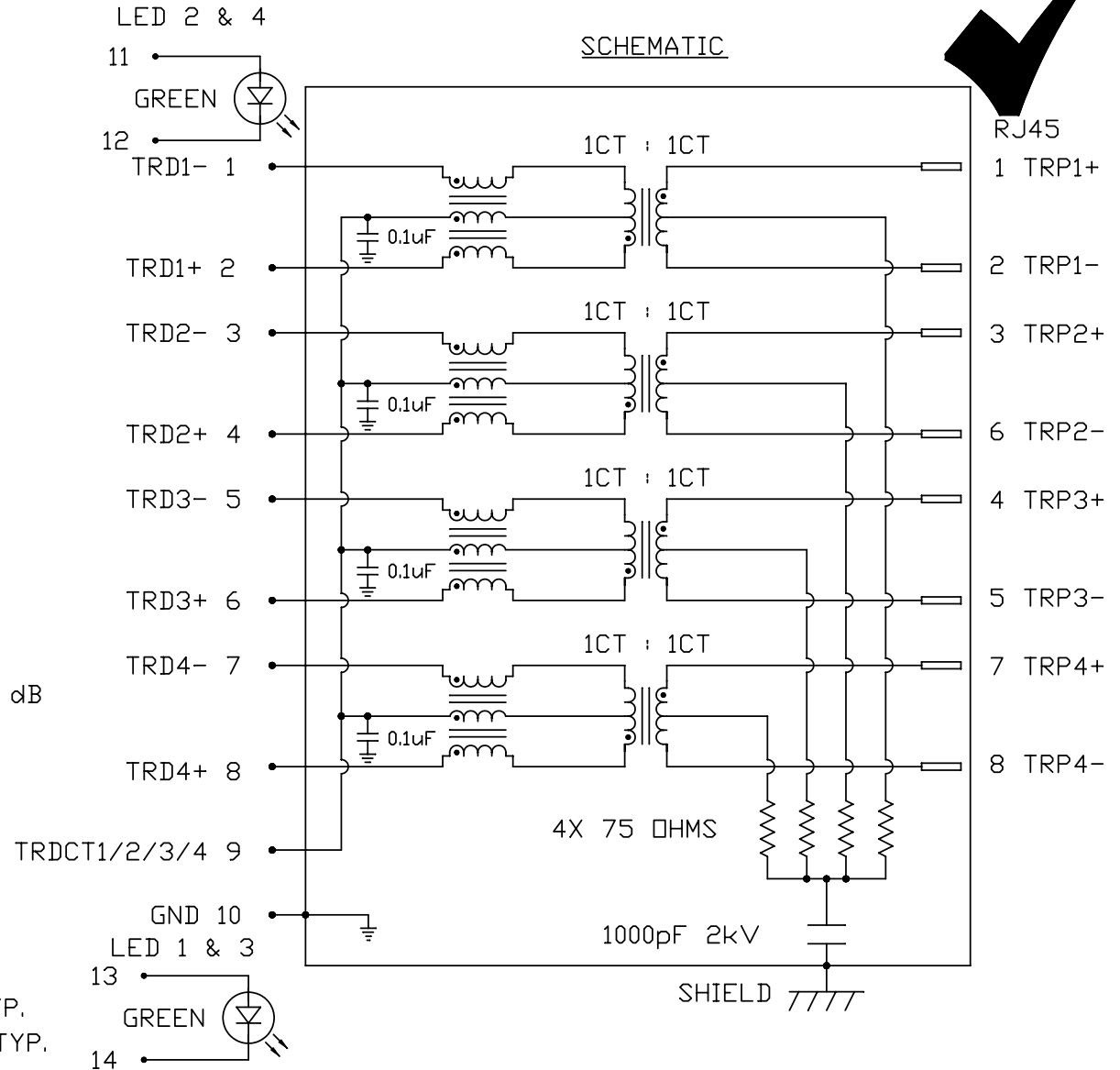
100kHz - 100MHz -35 dB MIN

HIPOT (Isolation Voltage): 1500 Vrms

100% OF PRODUCTION TESTED TO COMPLY WITH IEEE 802.3 ISOLATION REQUIREMENTS

LED 1,LED 2,LED 3 & LED 4

V_F (FORWARD VOLTAGE) IF=20mA GREEN 2.2V TYP.
λ_D (DOMINANT WAVELENGTH) IF=20mA GREEN 565nm TYP.



ORIGINATED BY	DATE	TITLE
CHOW WANCHUNG	2012-09-13	
DRAWN BY	DATE	
TAN QIGUANG	2012-09-13	

2X7 gigabit MagJack® COMPRESSOR SERIES (8 Cores) PATENTED
--

PART NO. / DRAWING NO.	C850-2G7R-54
FILE NAME	C850-2G7R-54_C.DWG

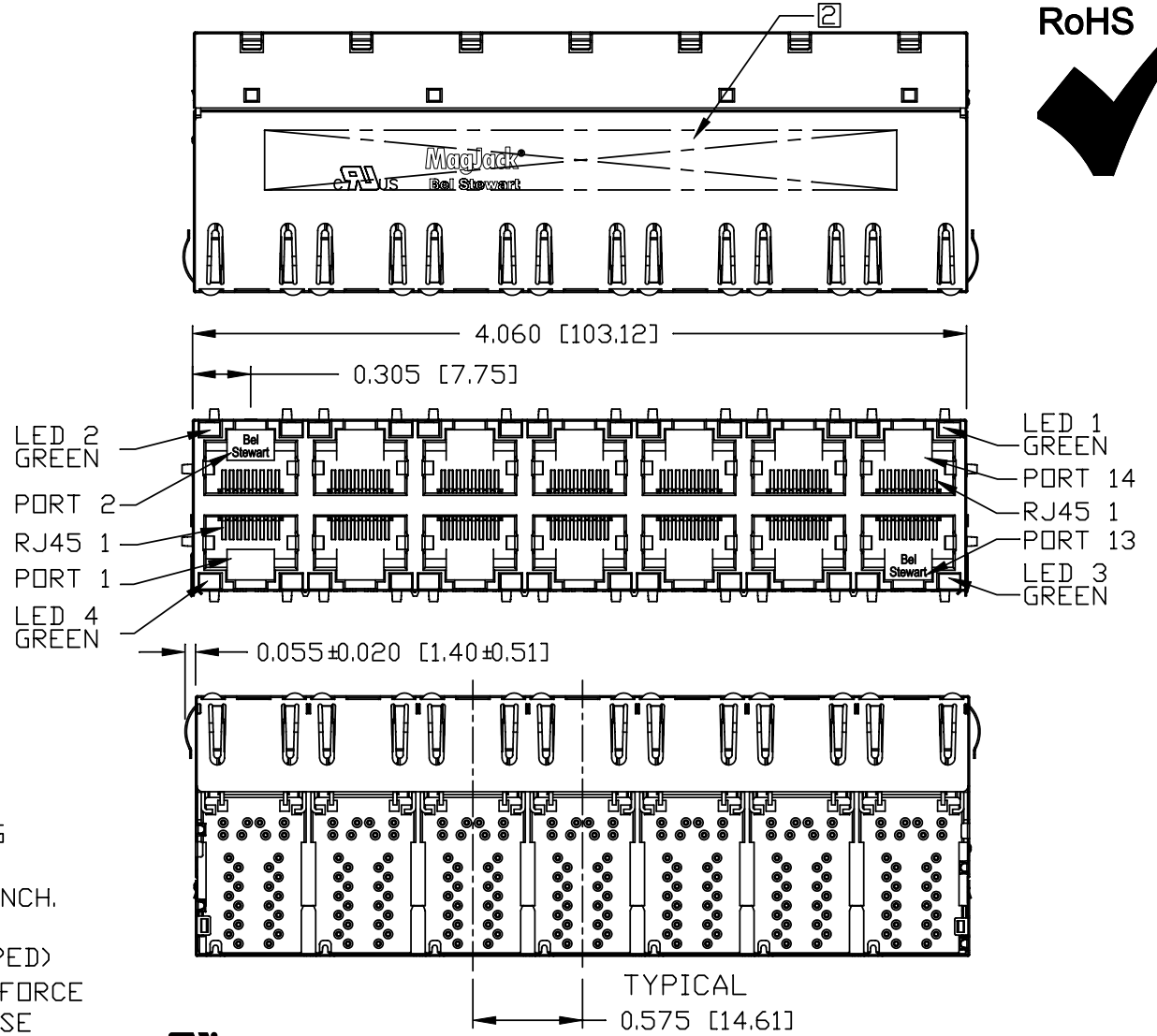
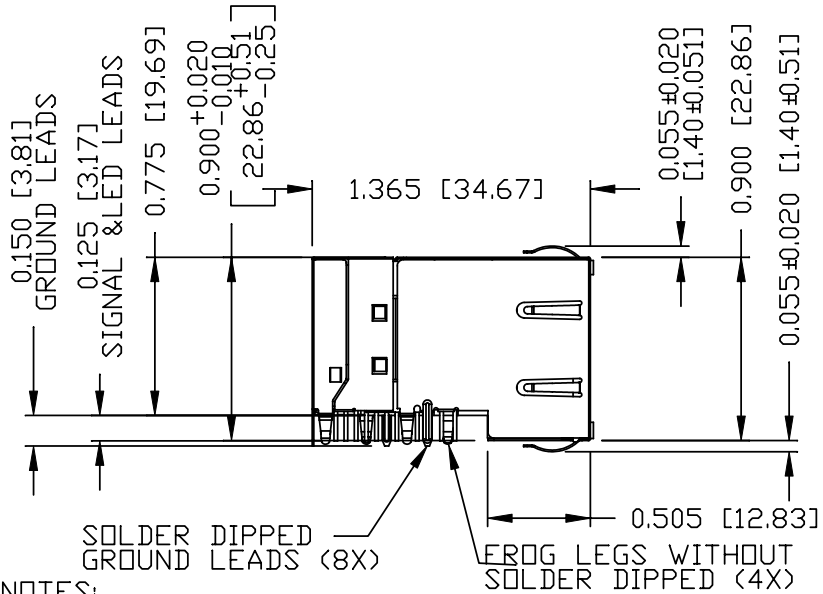
STANDARD DIM. TOL. IN INCH	[] METRIC DIM. AS REFERENCE
.X	UNIT : INCH [mm]
.XX	SCALE : N/A
.XXX	REV. : C

SIZE : A4
PAGE : 2



THE INFORMATION CONTAINED HEREIN IS CONSIDERED "PROPRIETARY" TO BEL FUSE INC. AND SHALL NOT BE COPIED, REPRODUCED OR DISCLOSED WITHOUT THE WRITTEN APPROVAL OF BEL FUSE INC.

RoHS



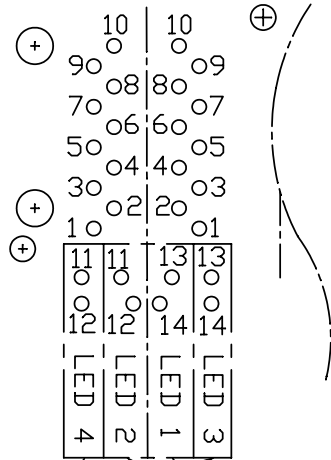
- NOTES:**
- PLASTIC HOUSING: THERMOPLASTIC PBT
FLAMMABILITY RATING UL 94V-0
 - CONTACT PLATING: 30 MICRO-INCH HARD GOLD PLATING OR EQUIVALENT.
 - OUTPUT PINS: TIN-COATED COPPER WIRE, DIA 0.018 INCH.
 - METAL SHIELD: NICKEL PLATED ON COPPER ALLOY.
(ALL GROUND LEADS ARE SOLDER DIPPED)
FROG LEGS ARE FOR PCB RETENTION FORCE ONLY AND NOT FOR GROUNDING PURPOSE
 - [1] JACK CAVITY CONFORMS TO FCC RULES AND REGULATIONS, PART 68 SUBPART F.
 - [2] MARK PART WITH MFG LOGO, MFG NAME, PART NUMBER, DATE CODE AND PATENTED.

- UL RECOGNIZED - FILE #E196366 AND E169987.
- 3. THE PRODUCT IS RoHS COMPLIANT.
- 4. THE PRODUCT IS PATENTED. THE PATENT NUMBER ARE U.S. PAT. 5,736,910 AND U.S. PAT. 7,123,117 AND U.S. PAT. 6,840,817.

ORIGINATED BY ANTON LIAO	DATE 2012-09-13	TITLE 2X7 gigabit MagJack® COMPRESSOR SERIES (8 Cores) PATENTED	PART NO. / DRAWING NO. C850-2G7R-54	STANDARD DIM. TOL. IN INCH		[] METRIC DIM. AS REFERENCE		bel		
	DRAWN BY HE ZHEN			DATE 2012-09-13	FILE NAME C850-2G7R-54_C.DWG	.X .XX .XXX	#0.010		UNIT : INCH [mm]	REV. : C

THE INFORMATION CONTAINED HEREIN IS CONSIDERED "PROPRIETARY" TO BEL FUSE INC. AND SHALL NOT BE COPIED, REPRODUCED OR DISCLOSED WITHOUT THE WRITTEN APPROVAL OF BEL FUSE INC.

RoHS

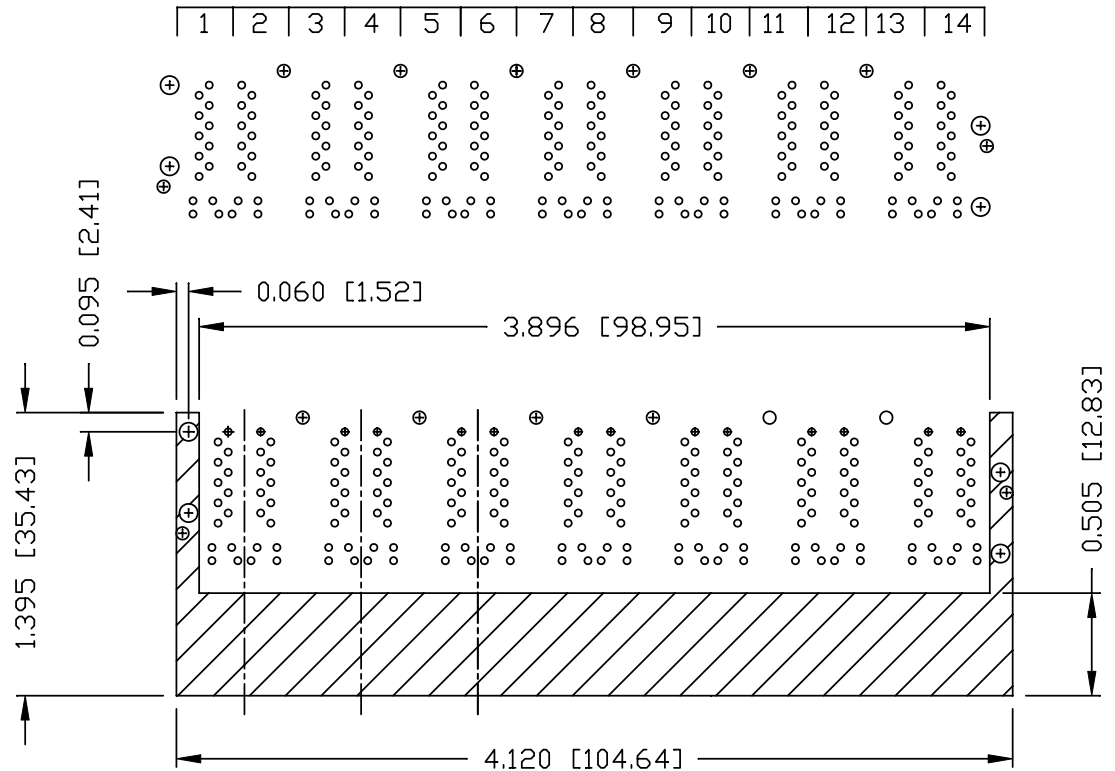


LED FOR LOWER DECK LED FOR UPPER DECK

PIN-OUT INFORMATION
(COMPONENT SIDE VIEW)

14	GREEN (-)
13	GREEN (+)
12	GREEN (-)
11	GREEN (+)
10	GND
9	TRDCT1/2/3/4
8	TRD 4+
7	TRD 4-
6	TRD 3+
5	TRD 3-
4	TRD 2+
3	TRD 2-
2	TRD 1+
1	TRD 1-

PORT ASSIGNMENT
(COMPONENT SIDE VIEW)



THE SHADED AREA ON THE CUSTOMER BOARD ARE RECOMMENDED TO BE CLEAR OFF ANY VIA HOLE OR COMPONENT PAD.

ORIGINATED BY ANTON LIAO	DATE 2012-09-13
DRAWN BY HE ZHEN	DATE 2012-09-13

TITLE 2X7 gigabit MagJack® COMPRESSOR SERIES (8 Cores) PATENTED

PART NO. / DRAWING NO. C850-2G7R-54
FILE NAME C850-2G7R-54_C.DWG

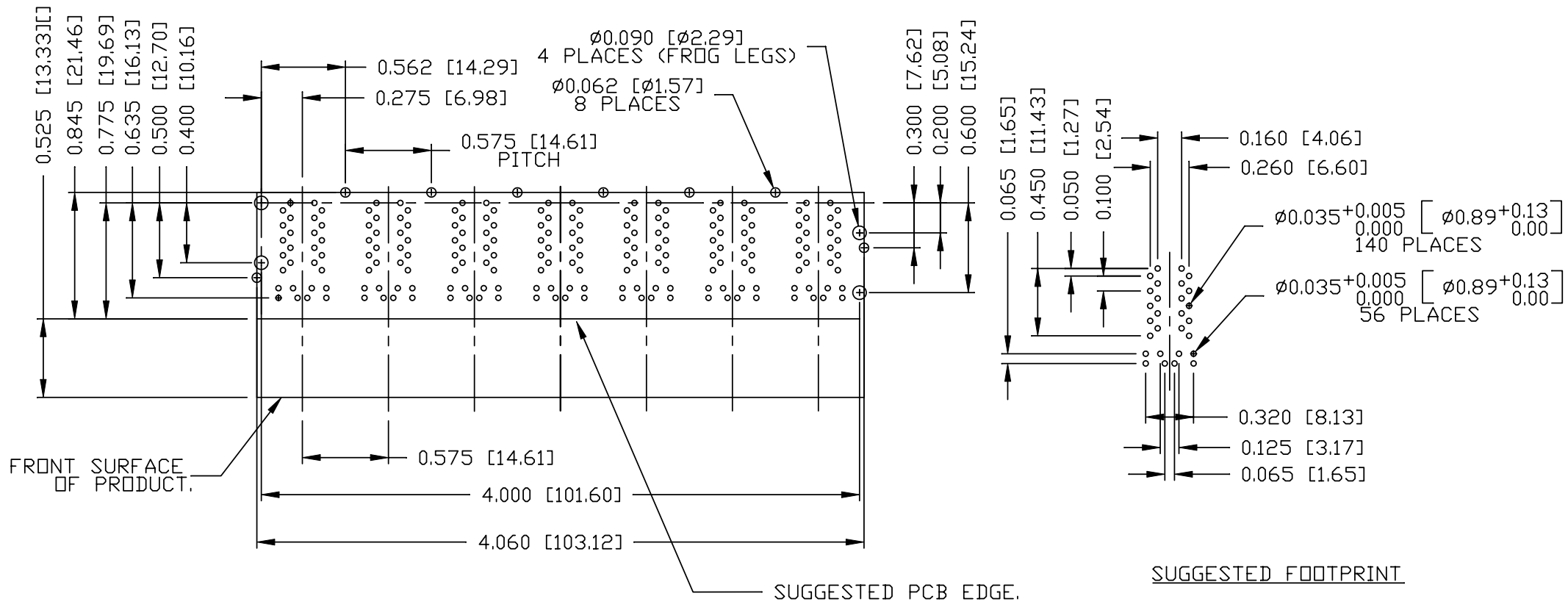
STANDARD DIM. TOL. IN INCH	[] METRIC DIM. AS REFERENCE
.X	UNIT : INCH [mm]
.XX	SCALE : N/A
.XXX	REV. : C
±0.004	SIZE : A4
	PAGE : 4

UNIT : INCH [mm]	REV. : C
SCALE : N/A	SIZE : A4
	PAGE : 4



THE INFORMATION CONTAINED HEREIN IS CONSIDERED "PROPRIETARY" TO BEL FUSE INC. AND SHALL NOT BE COPIED, REPRODUCED OR DISCLOSED WITHOUT THE WRITTEN APPROVAL OF BEL FUSE INC.

RoHS

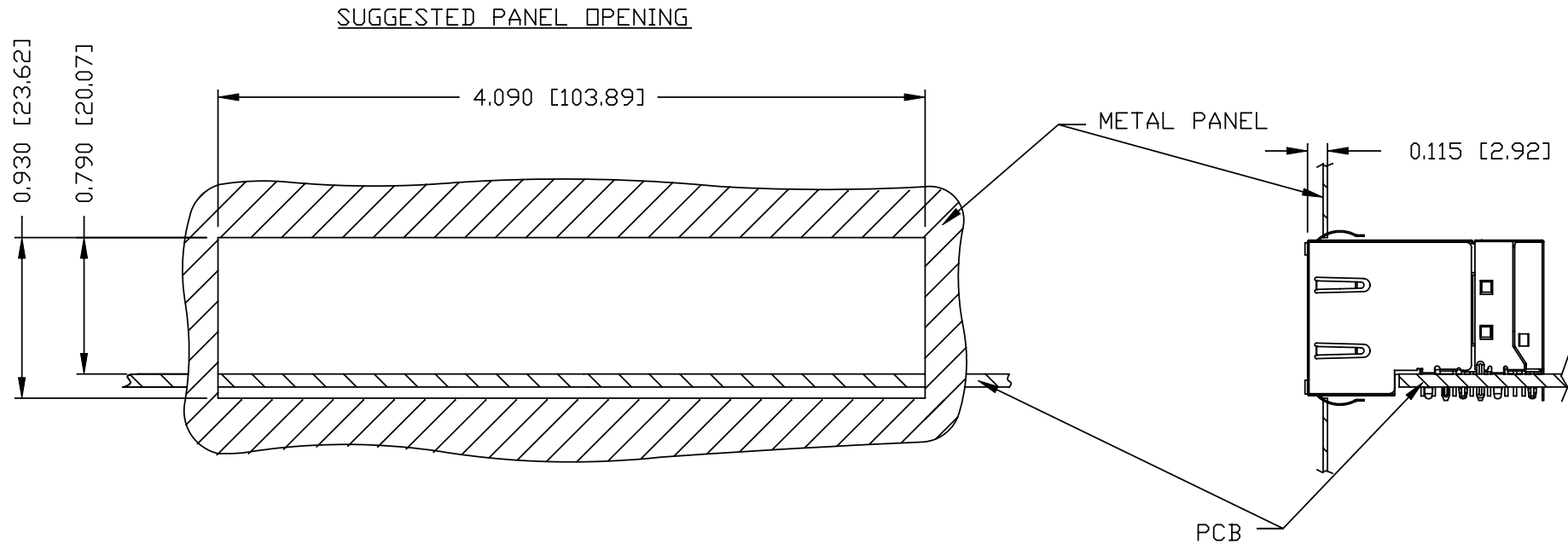


(COMPONENT SIDE VIEW)

ORIGINATED BY ANTON LIAO	DATE 2012-09-13	TITLE 2X7 gigabit MagJack® COMPRESSOR SERIES (8 Cores) PATENTED	PART NO. / DRAWING NO. C850-2G7R-54	STANDARD DIM. TOL. IN INCH		[] METRIC DIM. AS REFERENCE		 COMPONENTS FOR A CONNECTED PLANET
	DRAWN BY HE ZHEN			DATE 2012-09-13	FILE NAME C850-2G7R-54_C.DWG	.X .XX .XXX	<div style="display: flex; align-items: center;"> <div style="border-bottom: 1px solid black; width: 10px; height: 10px; margin-right: 5px;"></div> ±0.004 </div>	
						SCALE : N/A	SIZE : A4	
						PAGE : 5		

THE INFORMATION CONTAINED HEREIN IS CONSIDERED "PROPRIETARY" TO BEL FUSE INC. AND SHALL NOT BE COPIED, REPRODUCED OR DISCLOSED WITHOUT THE WRITTEN APPROVAL OF BEL FUSE INC.

RoHS



NOTE:

THE DISTANCE OF PANEL INSIDE SURFACE RELATIVE TO FRONT SURFACE OF PART IS ONLY A SUGGESTION. IN CASE THIS DISTANCE IS DIFFERENT, THE REQUIRED PANEL OPENING DIMENSIONS CHANGE ACCORDINGLY.

PACKING INFORMATION

PACKING TRAY : 0200M9999-E4 (TOP)

0200M9999-E5 (BOTTOM)

PACKING QUANTITY : 10 PCS FINISHED GOODS PER TRAY.

6 TRAYS (60 PCS FINISHED GOODS) PER CARTON BOX.

NOTE : CARDBOARDS ARE PLACED BETWEEN LAYERS OF PACKING TRAY INSIDE CARTON BOX.
(INCLUDE THE UPPERMOST AND LOWERMOST TRAY)

ORIGINATED BY ANTON LIAO	DATE 2012-09-13	TITLE 2X7 gigabit MagJack® COMPRESSOR SERIES (8 Cores) PATENTED	PART NO. / DRAWING NO. C850-2G7R-54	STANDARD DIM. TOL. IN INCH		[] METRIC DIM. AS REFERENCE		bel COMPONENTS FOR A CONNECTED PLANET
	DRAWN BY HE ZHEN			DATE 2012-09-13	FILE NAME C850-2G7R-54_C.DWG	.X		
				.XX		SCALE : N/A	SIZE : A4	
				.XXX	±0.004	⊕	PAGE : 6	