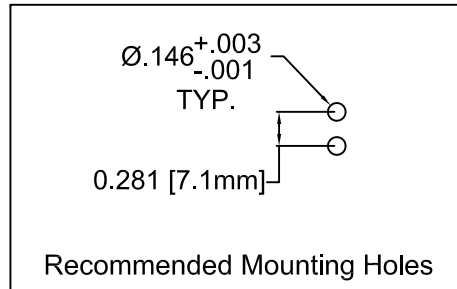
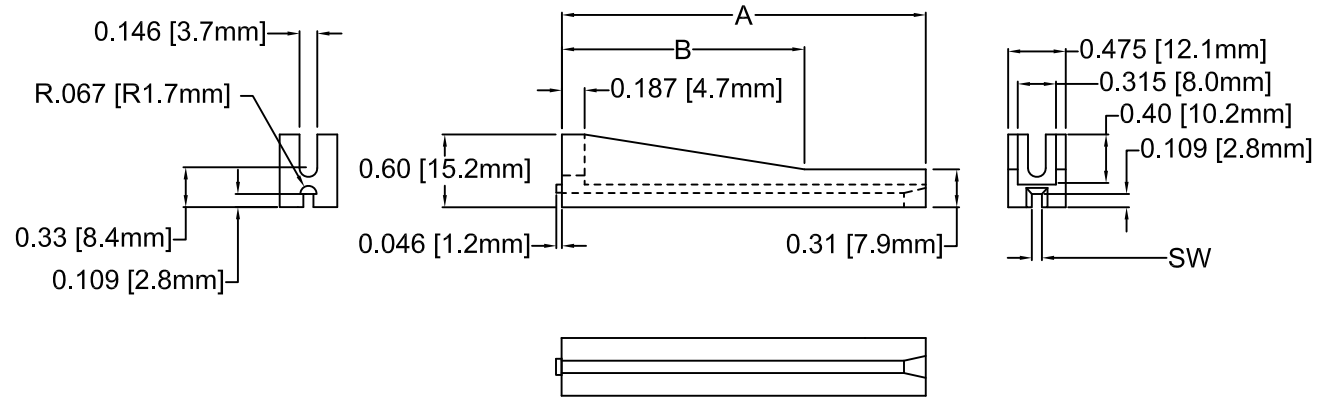


REV.	DESCRIPTION	DATE	APPROVED
B	Engineering Update w/o Changes	03/01/04	M. C.
C	Mounting Hole Update	04/09/09	T. Y.



PART NO.	A ±.015 (.38)	B ±.015 (.38)	SW 1/16" PCB	SW* 3/32" PCB	SW* 1/8" PCB
VG2-2	2.0 (50.8)	1.5 (38.1)		-	-
VG2-25	2.5 (63.5)	1.5 (38.1)		-	-
VG2-3	3.0 (76.2)	2.0 (50.8)	.076 (1.9)	.102 (2.6)	.134 (3.4)
VG2-35	3.5 (88.9)				
VG2-4	4.0 (101.6)				
VG2-45	4.5 (114.3)				
VG2-5	5.0 (127.0)				
VG2-55	5.5 (139.7)				
VG2-6	6.0 (152.4)				

- * FOR SLOTS WIDTHS OTHER THAN 0.076" [1.9mm], ADD -XXX e.g. VG2-4-134 IS A VG2-4 GUIDE WITH A SLOT WIDTH OF 0.134" [3.4mm].
- MATERIAL: NYLON 6, 10% GLASS, 94V-0, BLACK. BIVAR MATERIAL CODE 12-BK. RTP 299A X 59354CFR, BLACK OR MODIFIED PLASTICS MN6-FG10SE BK.
- GENERAL SPECIFICATIONS: BIVAR MOLDED COMPONENT SPECIFICATION BV00-E101.

STANDARD TOLERANCE (UNLESS OTHERWISE SPECIFIED)		 4 THOMAS, IRVINE, CA. 92618 TEL: (949) 951-8808 FAX: (949) 951-3974			
DECIMALS	ANGULAR				
.X ±.1	X° ± 1°	 TITLE: VERTICAL PCB CARD GUIDE			
.XX ±.01					
.XXX ±.005		DESIGNED: David Green	DATE: 11/22/02	PART NO: VG2-XX-XXX	REVISION: C
CHECKED: M. Chen		DATE: 11/22/02	CAGE CODE : 32559		SHEET # 1 OF 1
CAD GENERATED DOCUMENT, DO NOT MEASURE DRAWING.					