

Features

- 2.54 mm pitch & height
- 2 to 6 precious metal contacts
- End-to-end stackable
- Twin hot contacts (symmetrical pad layout)
- Pick & place compatible
- High cycle life

- RoHS compliant* - see [processing information](#) for RoHS compliant surface mount components

70AA/Male - Modular Contact

Materials & Finishes

Insulator.... Glass reinforced thermoplastic,
UL 94V-0 rated, black
Contact.....Copper alloy
Finish
Underplating.....30 μ" to 60 μ" Ni
Contact Area 30 μ" min. Au over Ni

Operating Characteristics

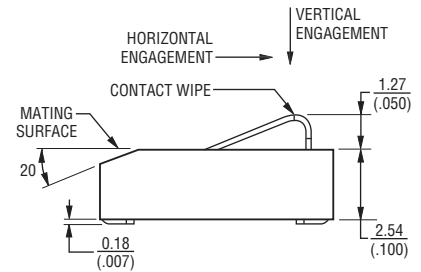
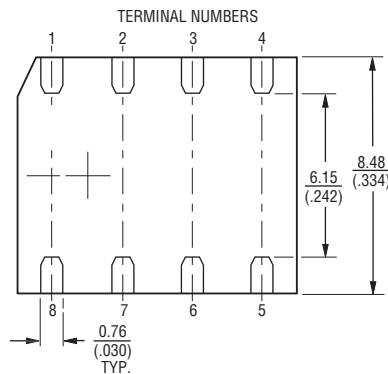
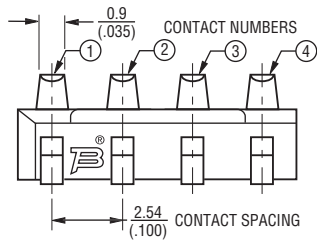
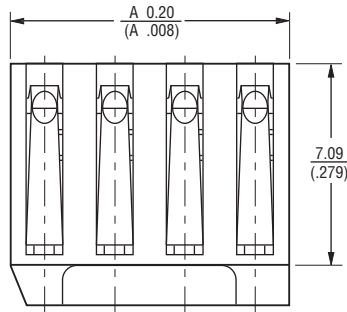
Electrical
Current Rating..... 3 A/contact
Voltage Rating.....60 V
Contact Resistance..... 25 mohms max.
Dielectric VoltageAC 500 V
Insulating Resistance.. 1000 Mohms min.
Operating Temperature
.....-55 °C to 125 °C
Mechanical
Vibration..... 30 G, 10-2K Hz,
0.06 inches D.A.
Shock..... 100 G
Normal Force 80 grams min.
at a working height of
0.25 mm (0.010 inches)
Durability 10,000 cycles min.

How to Order

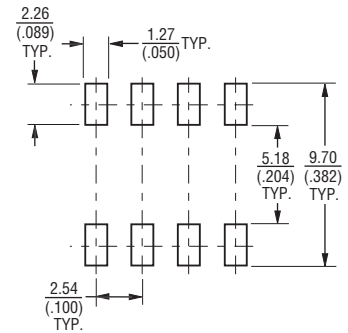
70AA J - 4 - M 0 G

Model _____
Terminal Style _____
J = SMT
Number of Contacts (N) _____
2 through 6
Gender _____
M = Male
Options _____
0 = Standard
Packaging Option (MSL-1) _____
_ = Tube
G = Embossed Tape (750 pcs. per reel)

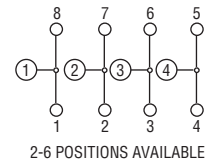
Product Dimensions



Recommended PWB Layout



Electrical Schematic



Number of Contacts	Dimension A
2	5.00 (.197)
3	7.54 (.297)
4	10.20 (.397)
5	12.62 (.497)
6	15.16 (.597)

TOLERANCES: ± 0.3
(± 0.12) UNLESS OTHERWISE NOTED

DIMENSIONS: $\frac{\text{MM}}{(\text{INCHES})}$

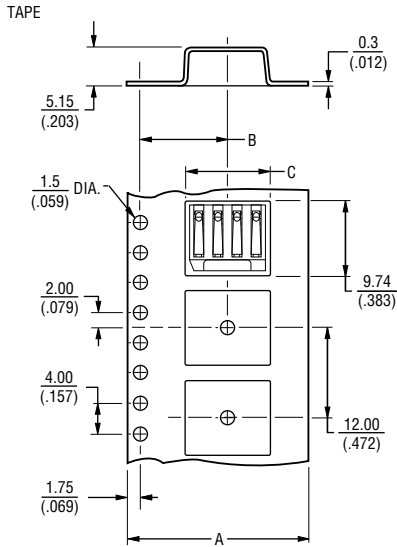
*RoHS Directive 2002/95/EC Jan. 27, 2003 including annex and RoHS Recast 2011/65/EU June 8, 2011.
Specifications are subject to change without notice.

The device characteristics and parameters in this data sheet can and do vary in different applications and actual device performance may vary over time.
Users should verify actual device performance in their specific applications.

70AA/Male - Modular Contact

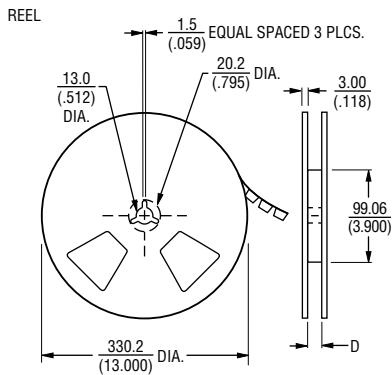
BOURNS®

Packaging Specifications



No. of Contacts	Dimension A	Dimension B	Dimension C	Dimension D
2	$\frac{16.0}{(.630)}$	$\frac{7.5}{(.296)}$	$\frac{5.64}{(.222)}$	$\frac{16.4}{(.646)}$
3	$\frac{16.0}{(.630)}$	$\frac{7.5}{(.296)}$	$\frac{8.19}{(.323)}$	$\frac{16.4}{(.646)}$
4	$\frac{24.0}{(.945)}$	$\frac{11.5}{(.453)}$	$\frac{10.4}{(.409)}$	$\frac{24.4}{(.961)}$
5	$\frac{24.0}{(.945)}$	$\frac{11.5}{(.453)}$	$\frac{12.95}{(.510)}$	$\frac{24.4}{(.961)}$
6	$\frac{24.0}{(.945)}$	$\frac{11.5}{(.453)}$	$\frac{15.5}{(.610)}$	$\frac{24.4}{(.961)}$

DIMENSIONS: $\frac{\text{MM}}{\text{(INCHES)}}$



REV. 10/29/13

Specifications are subject to change without notice.
 The device characteristics and parameters in this data sheet can and do vary in different applications and actual device performance may vary over time.
 Users should verify actual device performance in their specific applications.