



Features

- 1.27 mm pitch
 - Precious metal contacts
 - Twin hot contacts (symmetrical pad layout)
 - Pick & place compatible
 - High cycle life
- RoHS compliant* - see [processing information](#) on RoHS compliant modular contacts

70AB/Male - Modular Contact

Materials & Finishes

Insulator..... Glass reinforced thermoplastic,
UL 94V-0 rated, black
ContactCopper alloy
Finish
Underplating.....30 μ" to 60 μ" Ni
Contact Area 30 μ" min. Au over Ni

Operating Characteristics

Electrical
Current Rating..... 3 A/contact
Voltage Rating.....60 V
Contact Resistance.... 25 milliohms max.
Dielectric VoltageAC 500 V
Insulating Resistance.. 1000 Mohms min.
Operating Temperature
.....-55 °C to +125 °C

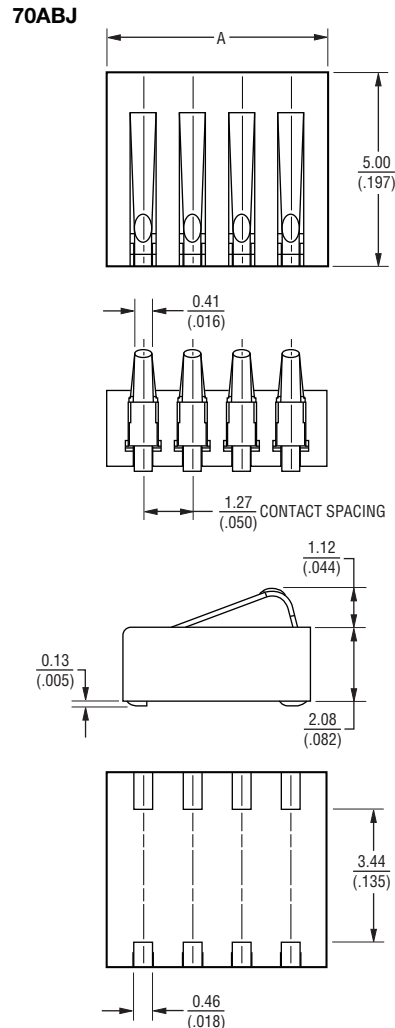
Mechanical
Normal Force/Finger 40 grams min.
Durability..... 5,000 cycles min.

How to Order

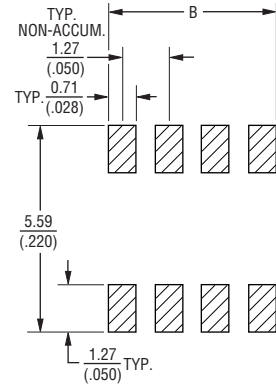
70AB J - 4 - M 0 E

Model _____
Terminal Style _____
Number of Contacts (N) _____
2, 3 or 4
Gender
M = Male
Options
0 = Standard
Packaging Option _____
E = Embossed Tape (500 pcs. per reel -
MSL-1)

Product Dimensions



Recommended PWB Layout



Number of Contacts	Dimension B
2	$\frac{1.98}{(.078)}$
3	$\frac{3.25}{(.128)}$
4	$\frac{4.52}{(.178)}$

TOLERANCES: ± 0.25 UNLESS OTHERWISE NOTED
(± 0.010)

DIMENSIONS: $\frac{\text{MM}}{(\text{INCHES})}$

Number of Contacts	Dimension A
2	$\frac{3.12}{(.123)}$
3	$\frac{4.39}{(.173)}$
4	$\frac{5.66}{(.223)}$

*RoHS Directive 2002/95/EC Jan. 27, 2003 including annex and RoHS Recast 2011/65/EU June 8, 2011.
Specifications are subject to change without notice.

The device characteristics and parameters in this data sheet can and do vary in different applications and actual device performance may vary over time.
Users should verify actual device performance in their specific applications.

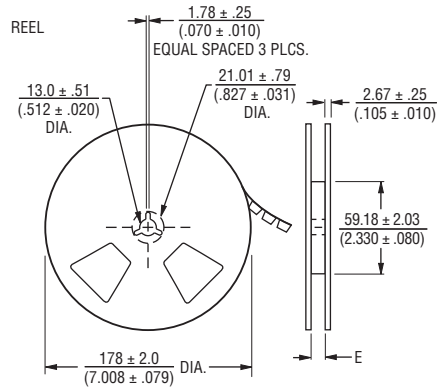
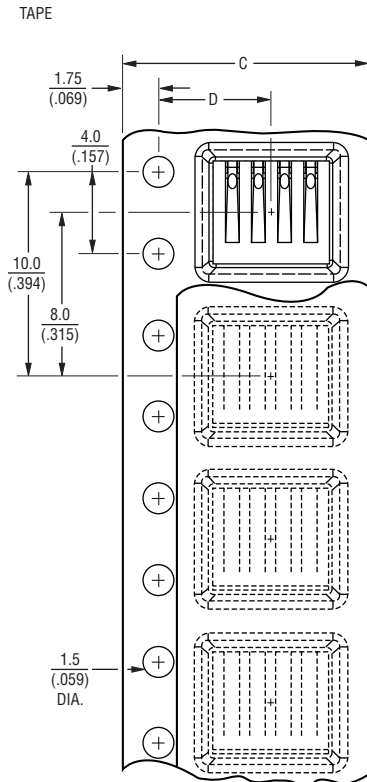
Applications

- Handheld communications - mobile phones, pagers, cordless phones, GPS, PICs, radios
- Portable consumer equipment - PDAs, HPCs, notebook PCs, cameras, dictaphones, PICs, games

70AB/Male - Modular Contact

BOURNS®

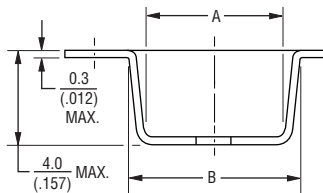
Packaging Specifications



No. of Contacts	Dimension A	Dimension B	Dimension C	Dimension D	Dimension E
2	$\frac{3.49}{(.137)}$	$\frac{4.94}{(.194)}$	$\frac{12.0}{(.472)}$	$\frac{5.5}{(.217)}$	$\frac{12.4}{(.488)}$
3	$\frac{4.77}{(.188)}$	$\frac{6.22}{(.245)}$	$\frac{12.0}{(.472)}$	$\frac{5.5}{(.217)}$	$\frac{12.4}{(.488)}$
4	$\frac{6.04}{(.238)}$	$\frac{7.50}{(.295)}$	$\frac{12.0}{(.472)}$	$\frac{5.5}{(.217)}$	$\frac{12.4}{(.488)}$

TOLERANCES: .XX = $\frac{\pm 0.5}{(\pm .020)}$ UNLESS OTHERWISE NOTED
 .XXX = $\frac{\pm 0.127}{(\pm .005)}$ UNLESS OTHERWISE NOTED

DIMENSIONS: $\frac{\text{MM}}{(\text{INCHES})}$



BOURNS®

Asia-Pacific: Tel: +886-2 2562-4117 • Fax: +886-2 2562-4116

EMEA: Tel: +36 88 520 390 • Fax: +36 88 520 211

The Americas: Tel: +1-951 781-5500 • Fax: +1-951 781-5700

www.bourns.com

REV. 10/29/13

Specifications are subject to change without notice.
 The device characteristics and parameters in this data sheet can and do vary in different applications and actual device performance may vary over time.
 Users should verify actual device performance in their specific applications.